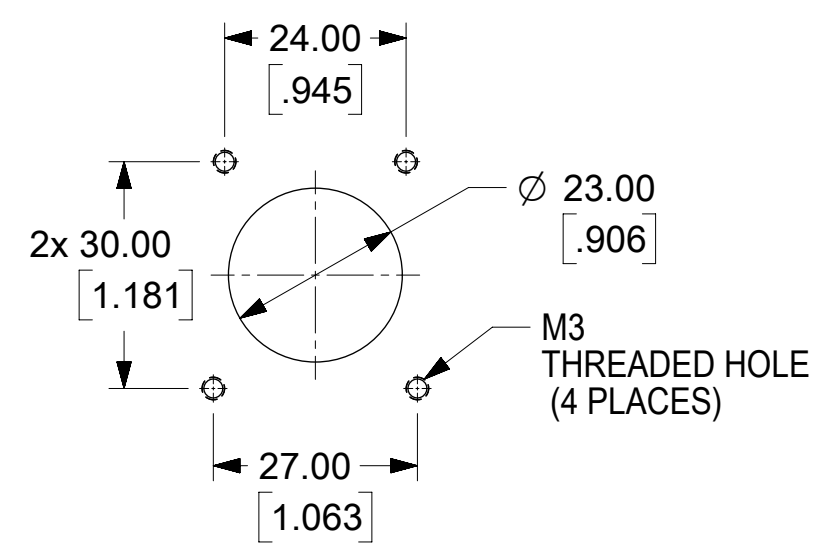
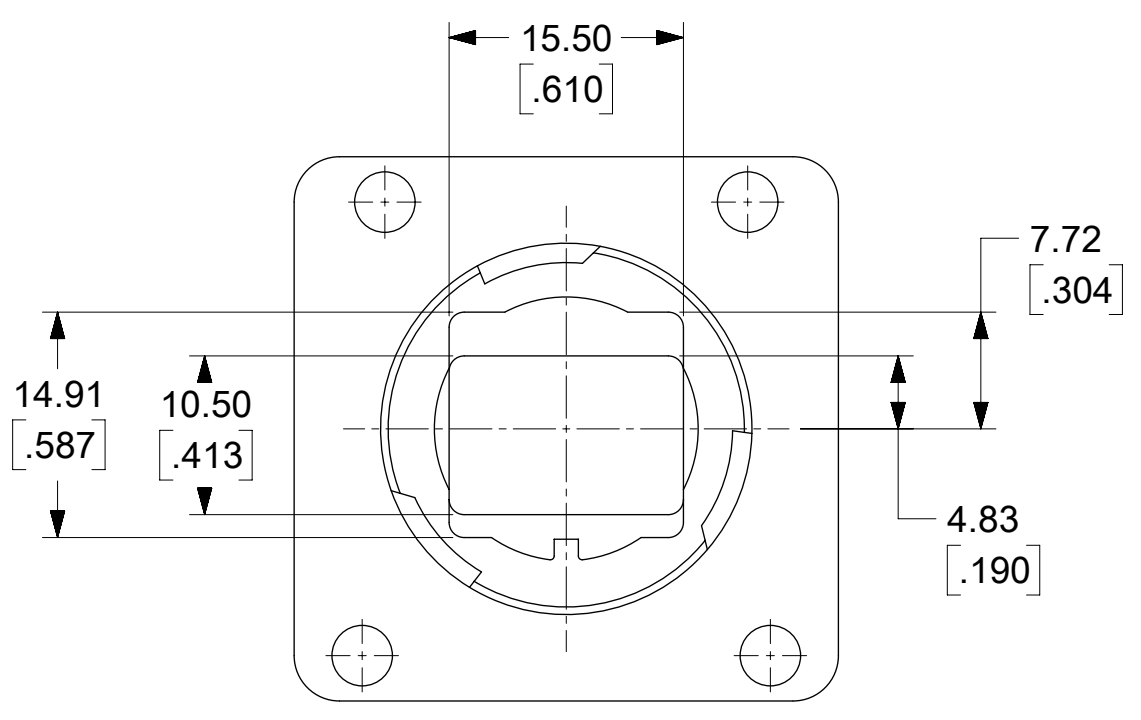
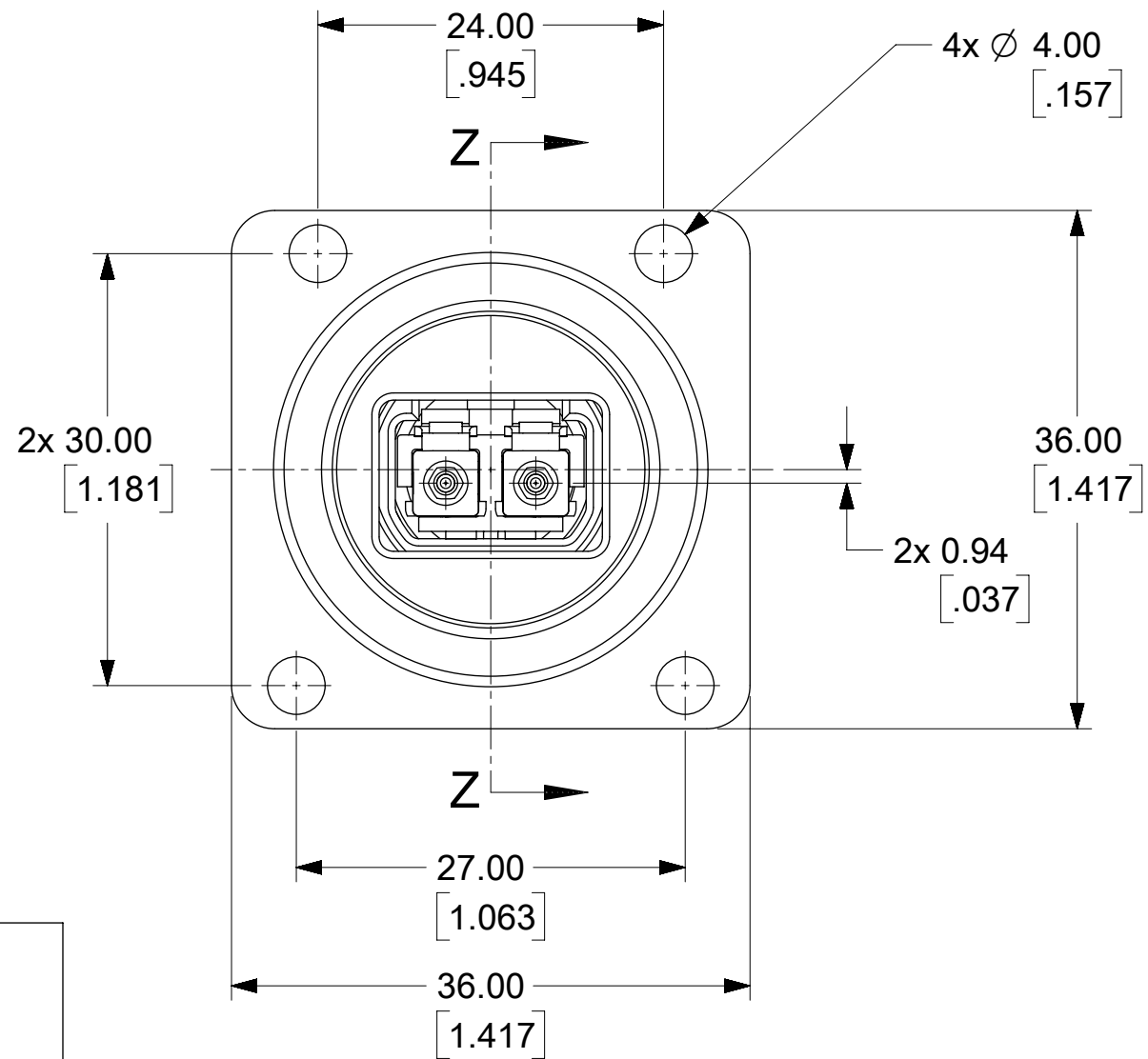


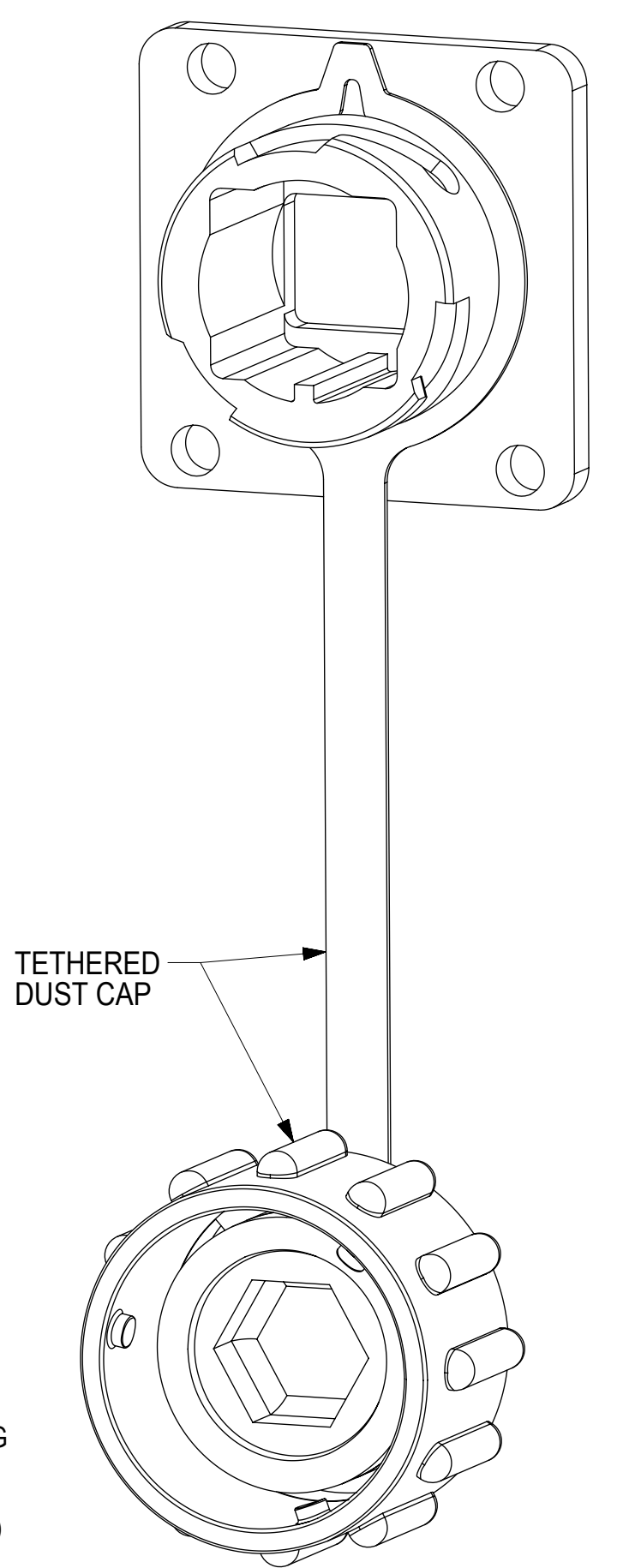
PART NUMBER	DUST CAP COLOR
1065018004	BLACK
1065018005	WHITE



RECOMENDED MOUNTING CUTOUT
Scale 1:1

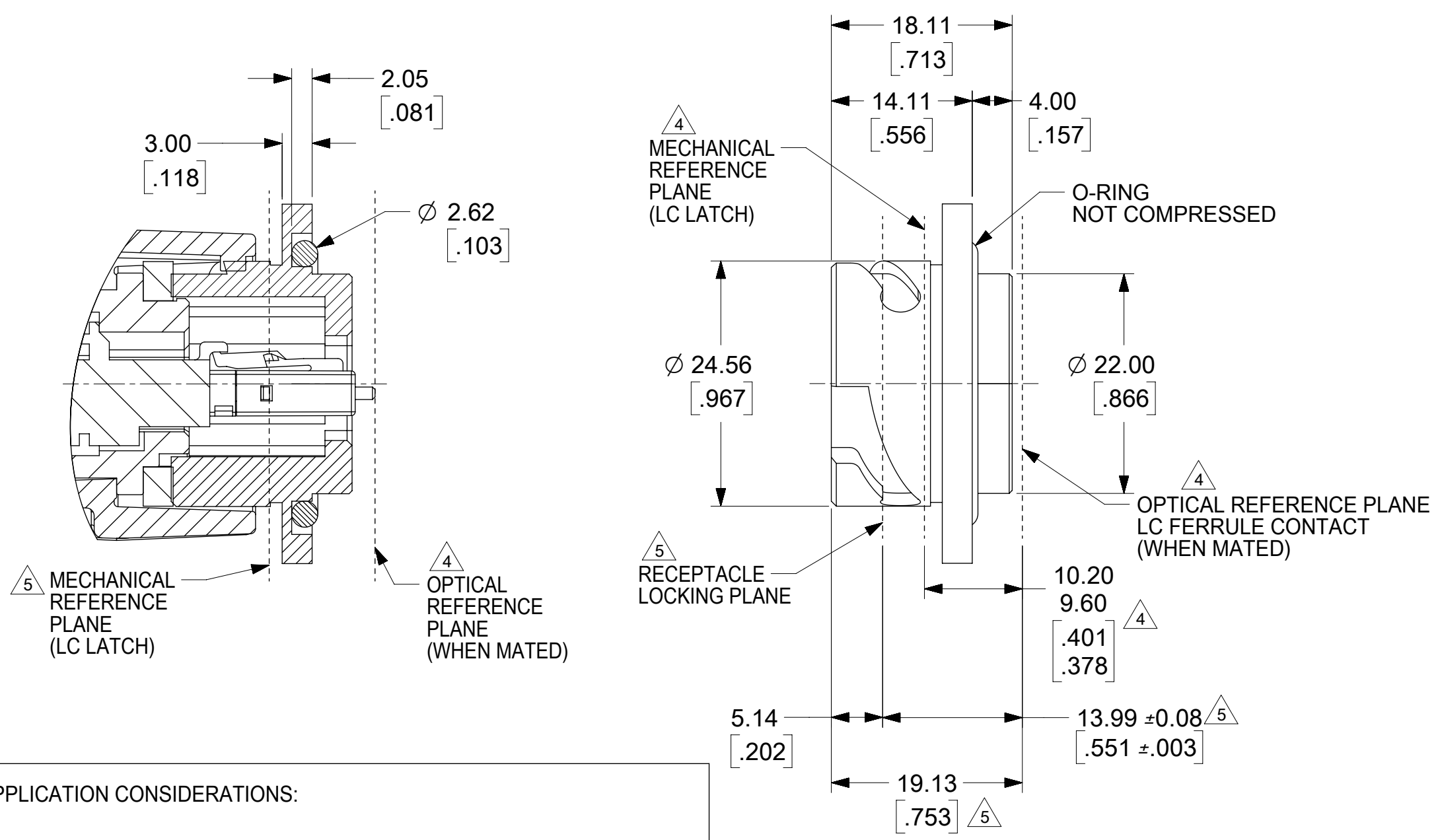


REPRESENTATIVE TRANSCEIVER SHOWN FOR REFERENCE THIS VIEW ONLY



NOTES:

- ALL DIMENSIONS ARE FOR REFERENCE ONLY.
- MATERIALS-
 ADAPTER HOUSING: ZINC ALLOY WITH ELECTROLESS NICKEL PLATING
 O-RING: ETHYLENE-PROPYLENE
 TETHER: BLACK - POLYETHYLENE (PE); WHITE - POLYPROPYLENE (PP)
 DUST CAP: POLYBUTYLENE TEREPHTHALATE (PBT)
 DUST CAP SEAL: SILICONE RUBBER
 DUST CAP SCREW: NICKEL PLATED BRASS
- REFERENCE OR DIMENSION PER IEC-61754-20
- REFERENCE OR DIMENSION PER ODVA STANDARD
- SEE APPLICATION CONSIDERATIONS FOR CRITERIA ON PROPER USE.



APPLICATION CONSIDERATIONS:

- THE RECEPTACLE WILL HOLD AN ODVA COMPLIANT CONNECTOR IN THE LOCATION AS SHOWN.
- THE OPTICAL AND MECHANICAL (LC LATCH) REFERENCE PLANES OF THE TRANSCEIVER MUST BE SET AT THE LOCATIONS SHOWN AS RELATED TO THE RECEPTACLE LOCKING PLANE.
- THE SFP CAGE SETS THE LOCATION OF THE TRANSCEIVER, BUT TRANSCEIVER INTERFACE DIMENSIONS DIFFER BY MANUFACTURER.
- USER MUST REFER TO SFP CAGE AND TRANSCEIVER MANUFACTURER DATASHEETS FOR DIMENSIONS TO PROPERLY LOCATE THE OPTICAL AND MECHANICAL (LC LATCH) REFERENCE PLANES.

QUALITY SYMBOLS	THIS DRAWING CONTAINS INFORMATION THAT IS PROPRIETARY TO MOLEX ELECTRONIC TECHNOLOGIES, LLC AND SHOULD NOT BE USED WITHOUT WRITTEN PERMISSION		DIMENSION UNITS: HYBRID		SCALE: 2:1		
▽ = 0	EC NO: 120383 DRWN: MAGHAYERE01 CHKD: IGLUMIN APPR: IGLUMIN	GENERAL TOLERANCES (UNLESS SPECIFIED)		DRWN BY: AECKHART	DATE: 2014/12/18		SIMPLIFIED SFP RECEPTACLE ASSY, ODVA
▽ = 0		ANGULAR TOL ± °		CHKD BY: LSADAUSKAS	DATE: 2015/01/12		
▽ = 0		4 PLACES ±		APPR BY: WCHEN	DATE: 2015/01/28		
▽ = 0		3 PLACES ±		DRAWING SIZE: C		THIRD ANGLE PROJECTION	
▽ = 0		2 PLACES ±		SERIES: 106501		MATERIAL NUMBER: SEE TABLE	CUSTOMER: GENERAL MARKET
▽ = 0	1 PLACE ±		DOCUMENT NUMBER: SD-106501-8004		DOC TYPE: PSD	DOC PART: 001	
▽ = 0	0 PLACES ±		SHEET NUMBER: 1 OF 1				