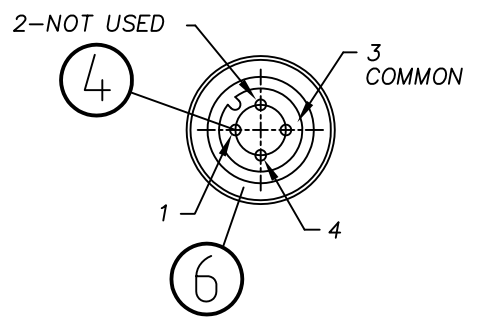
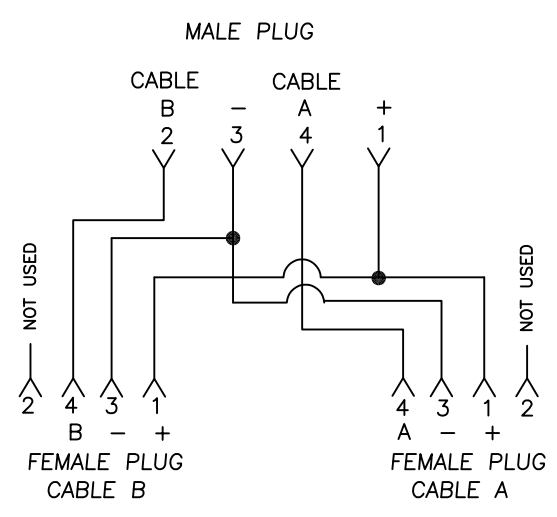
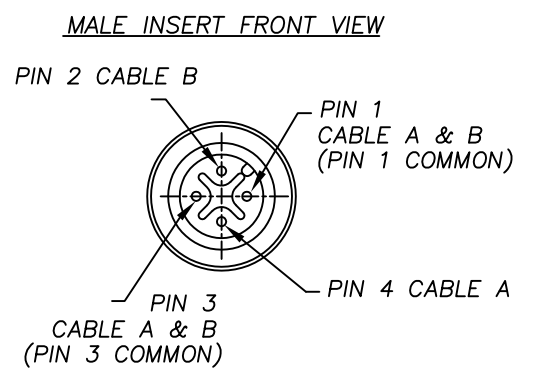
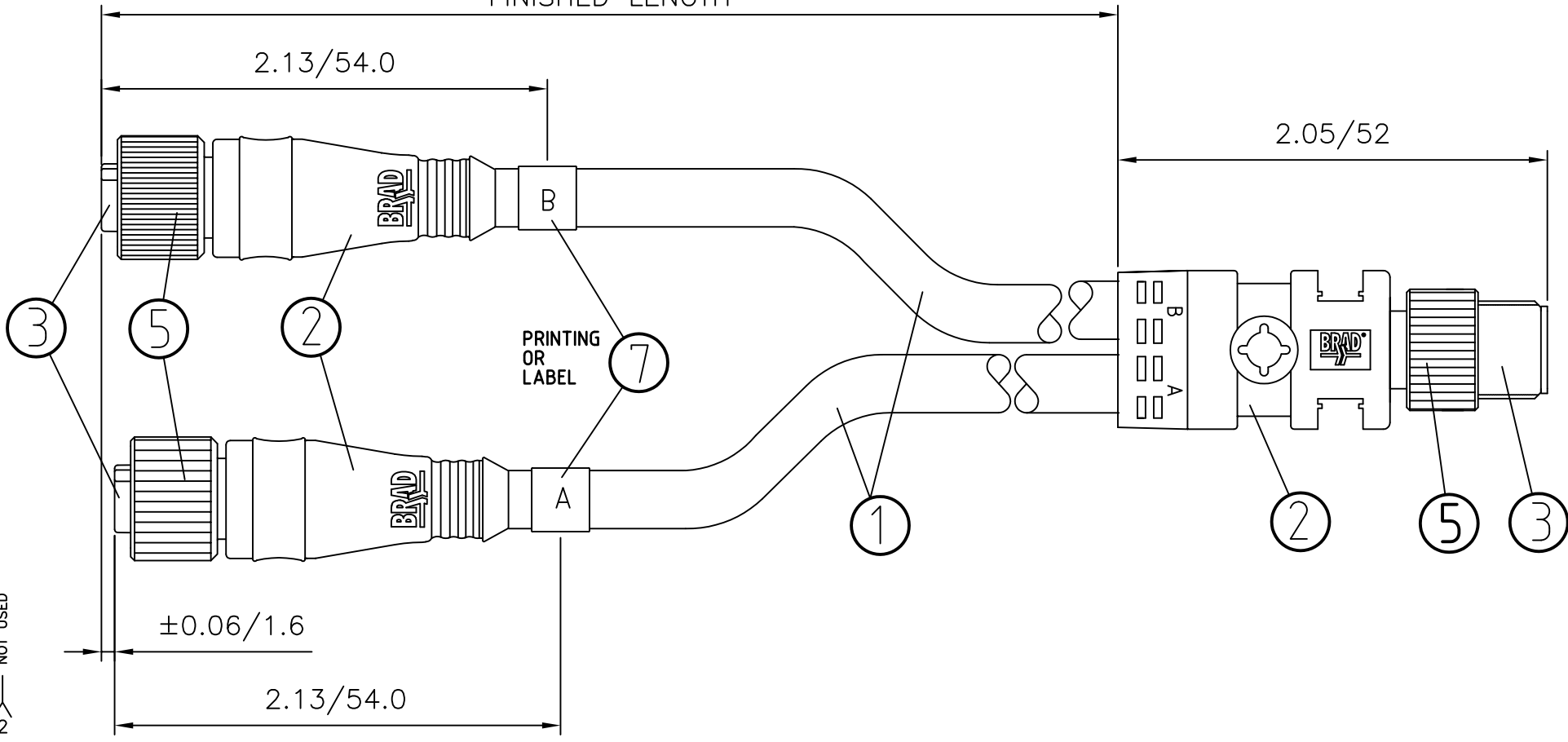


FEMALE INSERT FRONT VIEW (2x)



FINISHED LENGTH



CONNECTOR SPECIFICATION:

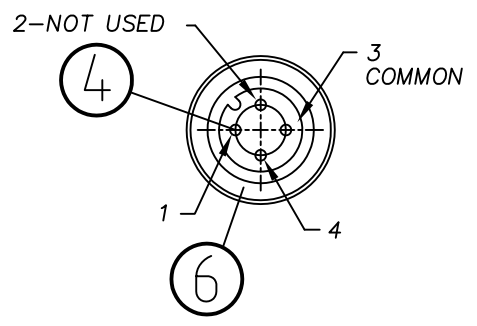
VOLTAGE RATING	300 V
AMPERAGE RATING	max. 4 AMPS
PROTECTION	IP67
OPERATING TEMPERATURE	FLEXING: -5°C TO +80°C STATIC: -30°C TO +80°C
UL CERTIFICATION	STYLE 2464
CSA CERTIFICATIONS	I/II A/B 80°/300V

MATERIAL NUMBER	ENGINEERING NUMBER	FINISHED LENGTH
1200090091	884A30P03M003	0.98' +0.75" -0 [0.3M +19.1 -0]

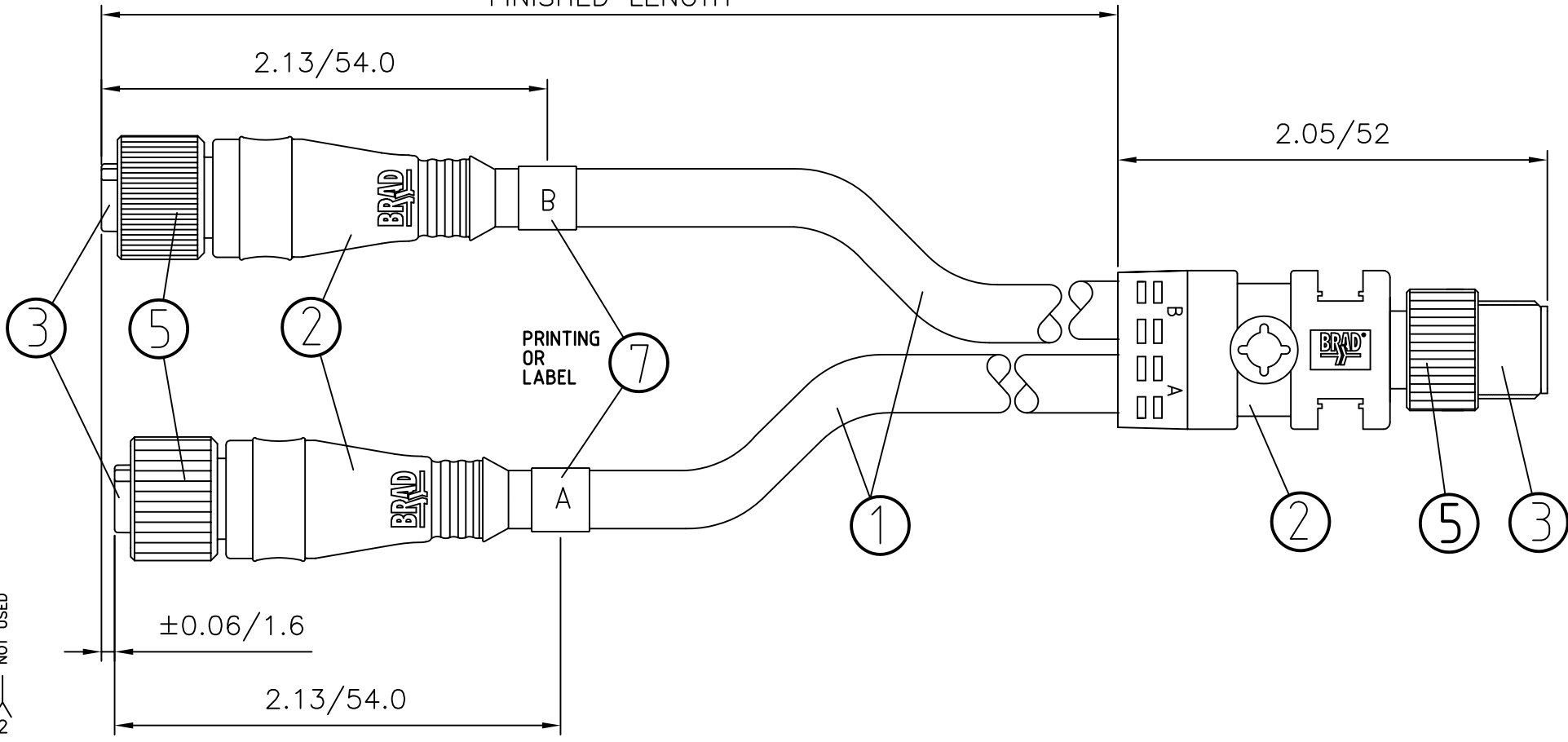
ITEM	COMPONENT	MATERIAL	FINISH
7	LABLE	MYLAR	BLACK/YELLOW
6	O-RING	VITON	RED
5	COUPLER	BRASS	NICKEL PLATED
4	PIN CONTACT	COPPER ALLOY	GOLD OVER NICKEL
3	INSERT	PUR	BLACK
2	OVERMOLD	PUR	YELLOW
1	CABLE #22-3 (COPPER STRANDING) 3 CONDUCT. 300V	JACKET: PVC	YELLOW

DESCRIPTION EC NO: WEU2010-0371 DRWN: BBRAUCH 2010/02/17 CHKD: NS APPR: NSTAUDIG 2010/02/24	QUALITY SYMBOLS	GENERAL TOLERANCES (UNLESS SPECIFIED)	DIMENSION STYLE	SCALE	DESIGN UNITS	THIRD ANGLE PROJECTION
	$\nabla = 0$ $\nabla C = 0$	mm INCH 4 PLACES ±--- ±--- 3 PLACES ±--- ±--- 2 PLACES ±--- ±0.01 1 PLACE ±0.3 ±--- ANGULAR ± --- °	IN/MM	2:1	METRIC	
			DRAWN BY DATE BBRAUCH 2010/02/17 CHECKED BY DATE NS 2010/02/18 APPROVED BY DATE NSTAUDIG 2010/02/18	ILS-4P-2XFE-STR-M-STR -XM-PUR ----		
			MATERIAL NO. SEE TABLE	MOLEX INCORPORATED DOCUMENT NO. SD-120068-036		SHEET NO. 1 OF 1
	1	REV	DRAFT WHERE APPLICABLE MUST REMAIN WITHIN DIMENSIONS	SIZE A3	THIS DRAWING CONTAINS INFORMATION THAT IS PROPRIETARY TO MOLEX INCORPORATED AND SHOULD NOT BE USED WITHOUT WRITTEN PERMISSION	

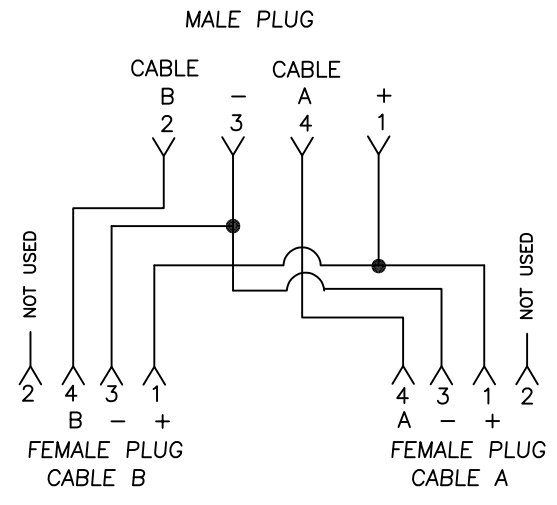
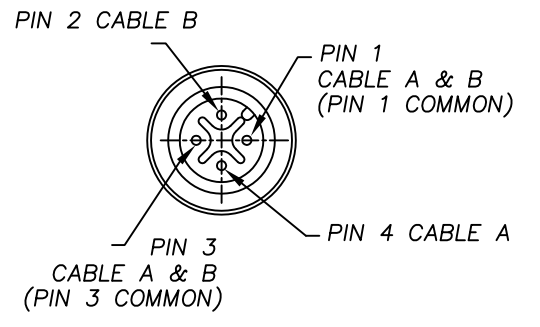
FEMALE INSERT FRONT VIEW (2x)



FINISHED LENGTH



MALE INSERT FRONT VIEW



WIRING SCHEMATIC

CONNECTOR SPECIFICATION:

VOLTAGE RATING	300 V
AMPERAGE RATING	max. 4 AMPS
PROTECTION	IP67
OPERATING TEMPERATURE	FLEXING: -5°C TO +80°C STATIC: -30°C TO +80°C
UL CERTIFICATION	STYLE 2464
CSA CERTIFICATIONS	I/II A/B 80°/300V

MATERIAL NUMBER	ENGINEERING NUMBER	FINISHED LENGTH
1200090091	884A30P03M003	0.98' +0.75" -0 [0.3M +19.1 -0]

ITEM	COMPONENT	MATERIAL	FINISH
7	LABLE	MYLAR	BLACK/YELLOW
6	O-RING	VITON	RED
5	COUPLER	BRASS	NICKEL PLATED
4	PIN CONTACT	COPPER ALLOY	GOLD OVER NICKEL
3	INSERT	PUR	BLACK
2	OVERMOLD	PUR	YELLOW
1	CABLE #22-3 (COPPER STRANDING) 3 CONDUCT. 300V	JACKET: PVC	YELLOW

DESCRIPTION EC NO: WEU2010-0371 DRWN: BBRAUCH 2010/02/17 CHKD: NS APPR: NSTAUDIG 2010/02/24	QUALITY SYMBOLS	GENERAL TOLERANCES (UNLESS SPECIFIED) mm INCH 4 PLACES ±--- ±--- 3 PLACES ±--- ±--- 2 PLACES ±--- ±0.01 1 PLACE ±0.3 ±--- ANGULAR ± --- °	DIMENSION STYLE	SCALE	DESIGN UNITS	THIRD ANGLE PROJECTION	
			IN/MM	2:1	METRIC		
				DRAWN BY DATE BBRAUCH 2010/02/17 CHECKED BY DATE NS 2010/02/18 APPROVED BY DATE NSTAUDIG 2010/02/18	ILS-4P-2XFE-STR-M-STR -XM-PUR		
				MATERIAL NO. SEE TABLE	MOLEX INCORPORATED DOCUMENT NO. SD-120068-036		SHEET NO. 1 OF 1
				DRAFT WHERE APPLICABLE MUST REMAIN WITHIN DIMENSIONS	THIS DRAWING CONTAINS INFORMATION THAT IS PROPRIETARY TO MOLEX INCORPORATED AND SHOULD NOT BE USED WITHOUT WRITTEN PERMISSION		