

CONNECTOR SPECIFICATION:

VOLTAGE RATING	250 VAC/VDC
AMPERAGE RATING	max. 4 AMPS
PROTECTION	IP67
OPERATING TEMPERATURE	-20°C TO 105°C
UL CERTIFICATIONS	UL RECOGNIZED, FILE NO. E152210
ASSEMBLY IS	RoHS COMPLIANT

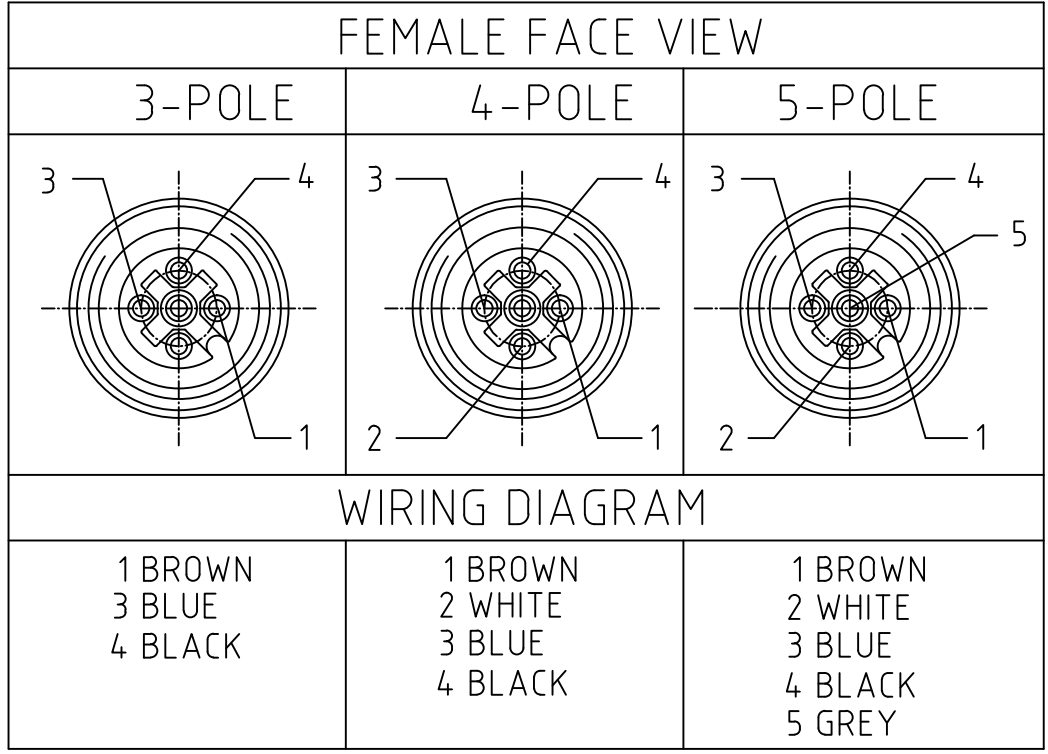
COMPONENT	MATERIAL	FINISH
LABEL	MYLAR	BLACK/YELLOW
O-RING	VITON	RED
COUPLER	BRASS	NICKEL PLATED
PIN CONTACT	COPPER ALLOY	GOLD OVER NICKEL
INSERT	NYLON	BLACK
OVERMOLD	PUR	YELLOW
CABLE- 22/3-5 (COPPER STRANDING) 3/4/5 CONDUCT. 300V	JACKET: PVC	JACKET: YELLOW

804000A09M003

No Pole
3-5 Pole

cable type
#22/3-5
PVC YELLOW

cable length
003----.3 Meters
010----1 Meter


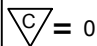
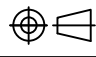



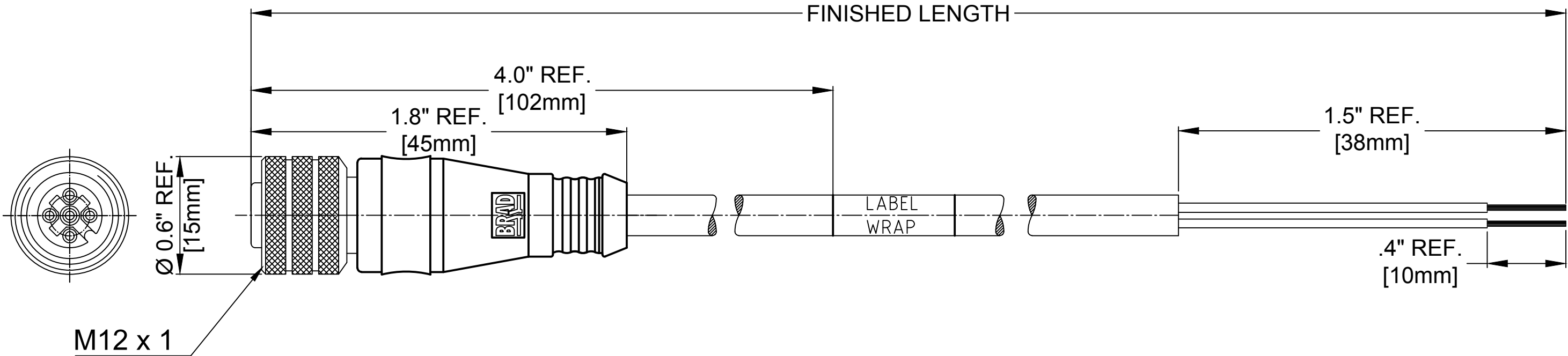
UPDATED PIN ORIENTATION EC NO: IPG2015-0806 DRWN: GGUSTAFS 10/29/14 CHKD: BARDEN 2014/12/15 APPR: BWOODMAN 2010/01/25	QUALITY SYMBOLS ▽ = 0 ◻ = 0	GENERAL TOLERANCES (UNLESS SPECIFIED) mm INCH 4 PLACES ±.13 ±.005 3 PLACES ±.13 ±.010 2 PLACES ±.25 ±.020 1 PLACE ±.25 ±.020 ANGULAR ± .5 °	DIMENSION STYLE IN/MM DRAWN BY DATE CHECKED BY DATE RE 2010/01/20 APPROVED BY DATE NSTAUDIG 2010/01/25	SCALE NTS DESIGN UNITS INCH THIRD ANGLE PROJECTION	MICRO-CHANGE COERDSET 3/4/5-POL FEMALE STR SE 22/5 YELLOW PVC CABLE	MOLEX INCORPORATED DOCUMENT NO. SD-120065-026 SHEET NO. 1 OF 2
	DRAFT WHERE APPLICABLE MUST REMAIN WITHIN DIMENSIONS	SEE TABLE SHEET 2	THIS DRAWING CONTAINS INFORMATION THAT IS PROPRIETARY TO MOLEX INCORPORATED AND SHOULD NOT BE USED WITHOUT WRITTEN PERMISSION			
	SIZE A3	THIS DRAWING CONTAINS INFORMATION THAT IS PROPRIETARY TO MOLEX INCORPORATED AND SHOULD NOT BE USED WITHOUT WRITTEN PERMISSION				

POL	MATERIAL NUMBER	ENGINEERING NUMBER	FINISHED LENGTH
3	1200650129	803000A09M020	6.56' +3.50" -0 [2.0M +88.9 -0]

POL	MATERIAL NUMBER	ENGINEERING NUMBER	FINISHED LENGTH
4	1200650251	804000A09M003	0.98' +0.75" -0 [0.3M +19.1 -0]
4	1200651508	804000A09M005	1.64' +1.75" -0 [0.5M +44.5 -0]
4	1200650252	804000A09M010	3.28' +2.19" -0 [1.0M +55.6 -0]
4	1200650255	804000A09M020	6.56' +3.50" -0 [2.0M +88.9 -0]
4	1200650259	804000A09M030	9.84' +3.50" -0 [3.0M +88.9 -0]
4	1200650261	804000A09M040	13.12' +6.50" -0 [4.0M +165.1 -0]
4	1200650265	804000A09M050	16.40' +6.50" -0 [5.0M +165.1 -0]
4	1200650268	804000A09M060	19.69' +6.50" -0 [6.0M +165.1 -0]
4	1200650270	804000A09M070	22.97' +6.50" -0 [7.0M +165.1 -0]
4	1200650275	804000A09M080	26.25' +12.50" -0 [8.0M +317.5 -0]
4	1200650276	804000A09M090	29.53' +12.50" -0 [9.0M +317.5 -0]
4	1200650277	804000A09M100	32.81' +12.50" -0 [10.0M +317.5 -0]
4	1200650285	804000A09M150	49.21' +24.50" -0 [15.0M +622.3 -0]
4	1200650289	804000A09M200	65.62' +24.50" -0 [20.0M +622.3 -0]
4	1200650293	804000A09M250	82.02' +24.50" -0 [25.0M +622.3 -0]
4	1200650295	804000A09M300	98.43' +24.50" -0 [30.0M +622.3 -0]

POL	MATERIAL NUMBER	ENGINEERING NUMBER	FINISHED LENGTH
5	1200650471	805000A09M020	6.56' +3.5" -0 (2.0M +89mm -0)
5	1200650476	805000A09M040	13.12' +6.5" -0 (4.0M +165mm -0)
5	1200650479	805000A09M050	16.40' +6.5" -0 (5.0M +165mm -0)
5	1200650483	805000A09M060	19.69' +6.5" -0 (6.0M +165mm -0)
5	1200650487	805000A09M100	32.81' +12.5" -0 (10.0M +318mm -0)

UPDATED PIN ORIENTATION EC NO.: IPG2015-0806 DRWN.: GGUSTAFS 10/29/14 CHKD.: BARDEN 2014/12/15 APPR.: BWOODMAN 2010/01/25	QUALITY SYMBOLS  = 0  = 0.05	GENERAL TOLERANCES (UNLESS SPECIFIED)		DIMENSION STYLE IN/MM		SCALE NTS	DESIGN UNITS INCH	 THIRD ANGLE PROJECTION	
		4 PLACES ±--- ±--- 3 PLACES ±--- ±.005 2 PLACES ±.13 ±.010 1 PLACE ±.25 ±.020 ANGULAR ± .5 °	mm INCH DRAWN BY DATE CHECKED BY DATE RE 2010/01/20 APPROVED BY DATE NSTAUDIG 2010/01/25	MICRO-CHANGE COERDSET 3/4/5-POL FEMALE STR SE 22/5 YELLOW PVC CABLE					
		DRAFT WHERE APPLICABLE MUST REMAIN WITHIN DIMENSIONS	MATERIAL NO. SEE TABLE SIZE A3					 MOLEX INCORPORATED	
THIS DRAWING CONTAINS INFORMATION THAT IS PROPRIETARY TO MOLEX INCORPORATED AND SHOULD NOT BE USED WITHOUT WRITTEN PERMISSION		DOCUMENT NO. SD-120065-026							



CONNECTOR SPECIFICATION:

VOLTAGE RATING	250 VAC/VDC
AMPERAGE RATING	max. 4 AMPS
PROTECTION	IP67
OPERATING TEMPERATURE	-20°C TO 105°C
UL CERTIFICATIONS	UL RECOGNIZED, FILE NO. E152210
ASSEMBLY IS	RoHS COMPLIANT

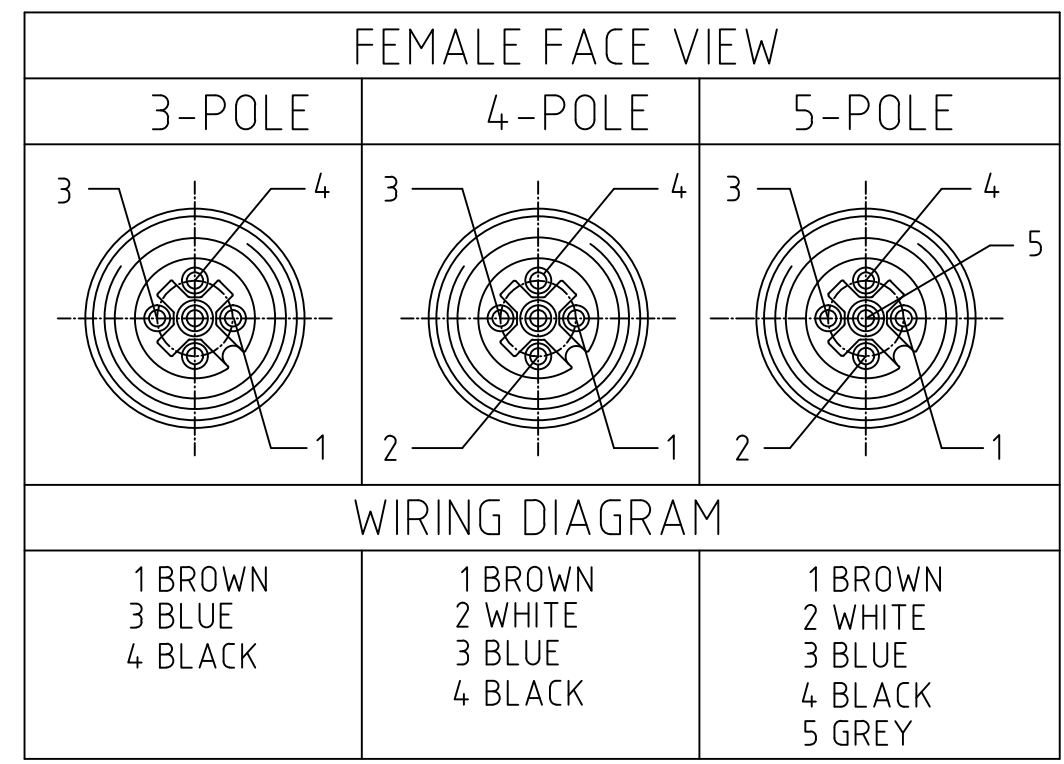
COMPONENT	MATERIAL	FINISH
LABEL	MYLAR	BLACK/YELLOW
O-RING	VITON	RED
COUPLER	BRASS	NICKEL PLATED
PIN CONTACT	COPPER ALLOY	GOLD OVER NICKEL
INSERT	NYLON	BLACK
OVERMOLD	PUR	YELLOW
CABLE- 22/3-5 (COPPER STRANDING) 3/4/5 CONDUCT. 300V	JACKET: PVC	JACKET: YELLOW

804000A09M003

No Pole
3-5 Pole

cable type
#22/3-5
PVC YELLOW

cable length
003----.3 Meters
010----1 Meter


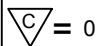
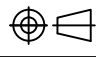



UPDATED PIN ORIENTATION EC NO: IPG2015-0806 DRWN: GGUSTAFS 10/29/14 CHKD: BARDEN 2014/12/15 APPR: BWOODMAN 2010/01/25	QUALITY SYMBOLS ▽ = 0 ▽ = 0	GENERAL TOLERANCES (UNLESS SPECIFIED) mm INCH 4 PLACES ±.13 ±.010 3 PLACES ±.25 ±.020 2 PLACES ±.25 ±.020 1 PLACE ±.25 ±.020 ANGULAR ± .5 °	DIMENSION STYLE IN/MM DRAWN BY DATE CHECKED BY DATE RE 2010/01/20 APPROVED BY DATE NSTAUDIG 2010/01/25	SCALE NTS DESIGN UNITS INCH THIRD ANGLE PROJECTION	MICRO-CHANGE COERDSET 3/4/5-POL FEMALE STR SE 22/5 YELLOW PVC CABLE	MOLEX INCORPORATED DOCUMENT NO. SD-120065-026 SHEET NO. 1 OF 2
	DRAFT WHERE APPLICABLE MUST REMAIN WITHIN DIMENSIONS	SEE TABLE SHEET 2	THIS DRAWING CONTAINS INFORMATION THAT IS PROPRIETARY TO MOLEX INCORPORATED AND SHOULD NOT BE USED WITHOUT WRITTEN PERMISSION			
	SIZE A3					
	REV 3					

POL	MATERIAL NUMBER	ENGINEERING NUMBER	FINISHED LENGTH
3	1200650129	803000A09M020	6.56' +3.50" -0 [2.0M +88.9 -0]

POL	MATERIAL NUMBER	ENGINEERING NUMBER	FINISHED LENGTH
4	1200650251	804000A09M003	0.98' +0.75" -0 [0.3M +19.1 -0]
4	1200651508	804000A09M005	1.64' +1.75" -0 [0.5M +44.5 -0]
4	1200650252	804000A09M010	3.28' +2.19" -0 [1.0M +55.6 -0]
4	1200650255	804000A09M020	6.56' +3.50" -0 [2.0M +88.9 -0]
4	1200650259	804000A09M030	9.84' +3.50" -0 [3.0M +88.9 -0]
4	1200650261	804000A09M040	13.12' +6.50" -0 [4.0M +165.1 -0]
4	1200650265	804000A09M050	16.40' +6.50" -0 [5.0M +165.1 -0]
4	1200650268	804000A09M060	19.69' +6.50" -0 [6.0M +165.1 -0]
4	1200650270	804000A09M070	22.97' +6.50" -0 [7.0M +165.1 -0]
4	1200650275	804000A09M080	26.25' +12.50" -0 [8.0M +317.5 -0]
4	1200650276	804000A09M090	29.53' +12.50" -0 [9.0M +317.5 -0]
4	1200650277	804000A09M100	32.81' +12.50" -0 [10.0M +317.5 -0]
4	1200650285	804000A09M150	49.21' +24.50" -0 [15.0M +622.3 -0]
4	1200650289	804000A09M200	65.62' +24.50" -0 [20.0M +622.3 -0]
4	1200650293	804000A09M250	82.02' +24.50" -0 [25.0M +622.3 -0]
4	1200650295	804000A09M300	98.43' +24.50" -0 [30.0M +622.3 -0]

POL	MATERIAL NUMBER	ENGINEERING NUMBER	FINISHED LENGTH
5	1200650471	805000A09M020	6.56' +3.5" -0 (2.0M +89mm -0)
5	1200650476	805000A09M040	13.12' +6.5" -0 (4.0M +165mm -0)
5	1200650479	805000A09M050	16.40' +6.5" -0 (5.0M +165mm -0)
5	1200650483	805000A09M060	19.69' +6.5" -0 (6.0M +165mm -0)
5	1200650487	805000A09M100	32.81' +12.5" -0 (10.0M +318mm -0)

UPDATED PIN ORIENTATION EC NO.: IPG2015-0806 DRWN.: GGUSTAFS 10/29/14 CHKD.: BARDEN 2014/12/15 APPR.: BWOODMAN 2010/01/25	QUALITY SYMBOLS  = 0  = 0	GENERAL TOLERANCES (UNLESS SPECIFIED)		DIMENSION STYLE IN/MM		SCALE NTS	DESIGN UNITS INCH	 THIRD ANGLE PROJECTION		
		4 PLACES ±--- ±---	mm INCH	DRAWN BY DATE ---		MICRO-CHANGE COERDSET 3/4/5-POL FEMALE STR SE 22/5 YELLOW PVC CABLE				
		3 PLACES ±--- ±.005		CHECKED BY DATE RE 2010/01/20						
		2 PLACES ±.13 ±.010		APPROVED BY DATE NSTAUDIG 2010/01/25		 MOLEX INCORPORATED				
1 PLACE ±.25 ±.020		MATERIAL NO.		DOCUMENT NO.						
DRAFT WHERE APPLICABLE MUST REMAIN WITHIN DIMENSIONS		SEE TABLE		SIZE A3		THIS DRAWING CONTAINS INFORMATION THAT IS PROPRIETARY TO MOLEX INCORPORATED AND SHOULD NOT BE USED WITHOUT WRITTEN PERMISSION				