

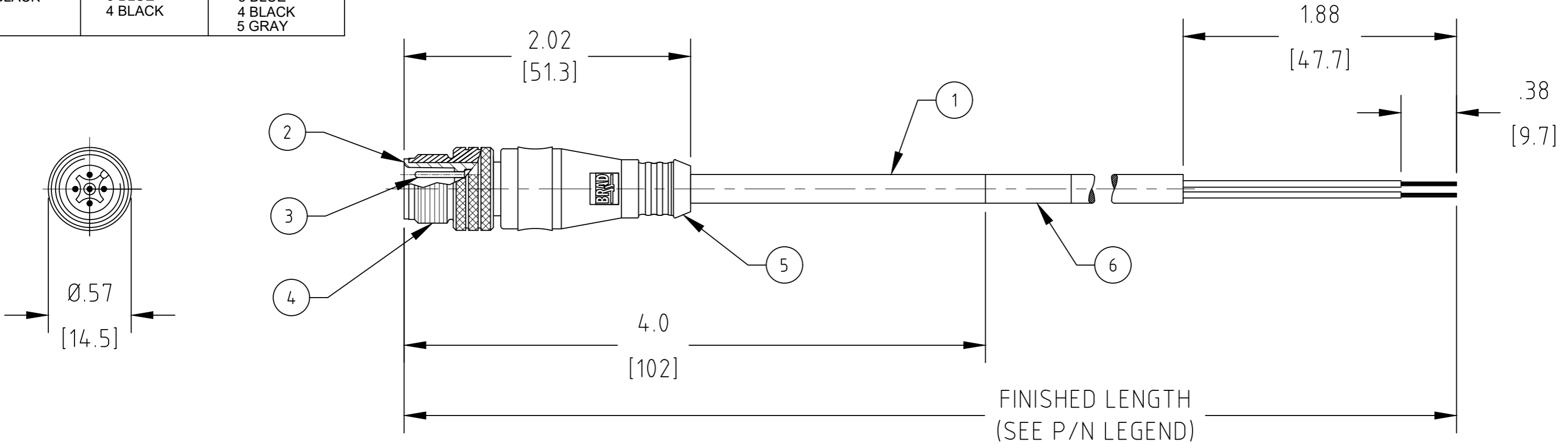
MATERIAL NUMBER	ENG. PART NO.	FINISHED LENGTH	POLES
1200650200	803006A09M020	6 FT 7 IN [2.0M]	3
1200650418	804006A09M040	13 FT 1 IN [4.0M]	4
1200650522	805006A09M010	3 FT 3 IN [1.0M]	5
1200650533	805006A09M100	32 FT 10 IN [10.0M]	5
1200659220	805006A09M300	98 FT 5 IN [30.0M]	5

PART NO. LEGEND
803006A09M020

↓ cable length
M005 = 0.5 Meters
M020 = 2 Meters
M100 = 10 Meters

(B) CABLE LENGTH TOLERANCES

>.3M [1FT]:	+19mm-0 [+ .75in-0]
.3 - .9M [1 - 3FT]:	+44.5mm-0 [+1.75in-0]
.9 - 1.8M [3 - 6FT]:	+55.6mm-0 [+2.19in-0]
1.8 - 3.7M [6 - 12FT]:	+88.9mm-0 [+3.50in-0]
3.7 - 7.3M [12 - 24FT]:	+165.1mm-0 [+6.50in-0]
7.3-14.6M [24 - 48FT]:	+317.5mm-0 [+12.50in-0]
14.6 - 30.5M [48-100FT]:	+622.3mm-0 [+24.50in-0]
OVER 30M [100FT]:	+2% OF FINISHED LENGTH



- (B) NOTES:**
1. MATERIAL: AS NOTED
 2. FINISH: AS NOTED
 3. ELECTRICAL:
VOLTAGE: 250V
CURRENT: 4A
 4. TEMP RATING: -25°C TO +105°C
 5. PROTECTION: IP67 (WHEN MATED)
 6. COUPLING THREAD: M12 X 1.0
 7. UL RECOGNIZED FILE: E152210
CSA CERTIFIED FILE: LR 6837
 8. ALL DIMS ARE FOR REFERENCE UNLESS TOLERANCED OR NOTED OTHERWISE

ITEM	DESCRIPTION	MATERIAL	FINISH
6	WRAP LABEL	VINYL	BLACK/YELLOW
5	OVERMOLD	PUR	YELLOW
4	COUPLING NUT	BRASS	NICKEL PLATED
3	CONTACT PIN	COPPER ALLOY	GOLD PLATED
2	INSERT, MALE, 5P	PUR	BLACK
1	CABLE, 22AWG	PVC JACKET	YELLOW

FUNCTIONAL SYMBOLS		THIS DRAWING CONTAINS INFORMATION THAT IS PROPRIETARY TO MOLEX ELECTRONIC TECHNOLOGIES, LLC AND SHOULD NOT BE USED WITHOUT WRITTEN PERMISSION	
$F=0$	DIMENSION UNITS	SCALE	CURRENT REV DESC: UPDATE BORDER, NOTES PER LATEST DOC STD.
$F=0$	INCH/MM	1:1	
$F=0$	GENERAL TOLERANCES (UNLESS SPECIFIED)		
	mm	INCH	
	4 PLACES	±---	±---
	3 PLACES	±---	±0.005
	2 PLACES	±0.13	±0.01
	1 PLACE	±0.25	±0.02
	0 PLACES	±---	±---
	ANGULAR TOL ± 0.5°		
DRAFT WHERE APPLICABLE MUST REMAIN WITHIN DIMENSIONS		THIRD ANGLE PROJECTION	DRAWING
			B-SIZE
		SERIES	120065
		MATERIAL NUMBER	SEE P/N LEGEND
		CUSTOMER	GENERAL MARKET
		SHEET NUMBER	1 OF 1

molex

MICRO-CHANGE ASSEMBLY
3-5 POLE MA STR 22/AWG YELLOW PVC CABLE

PRODUCT CUSTOMER DRAWING

DOCUMENT NUMBER: SD-120065-028
DOC TYPE: PSD
DOC PART: 001
REVISION: B

EC NO: 637684
DRWN: RSTONE 2020/05/14
CHK'D: MZIELINSKI 2020/05/15
APPR: BWOODMAN 2020/05/18

INITIAL REVISION:
DRWN: LSTEMMLE 2010/01/13
APPR: NSTAUDIG 2010/01/25