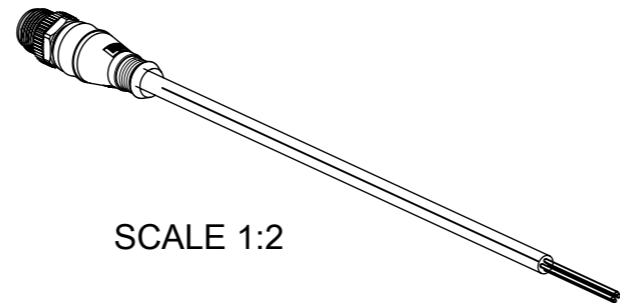


(CABLE END PREPARATION FOR TESTING /in mm)  
(Endbearbeitung am Kabelende für Prüfzwecke /in mm)



SCALE 1:2

| CONNECTOR SPECIFICATION / Steckverbindungs-Eigenschaften |                     |           |
|--|---------------------|-----------|
| VOLTAGE RATING/Betriebsspannung                          | 250V AC/DC          | 4 POL     |
|  | 30V AC/DC           | 8 POL     |
| AMPERAGE RATING/Bemessungsstrom                          | max. 4 AMPS (40°C)  | 4 POL     |
|  | max. 2 AMPS (40°C)  | 8 POL     |
| PROTECTION/IP-Schutzart                                  | IP67                | 4 + 8 POL |
| OPERATING TEMPERATURE/Temperaturbereich                  | max. -40°C TO +90°C | 4 + 8 POL |

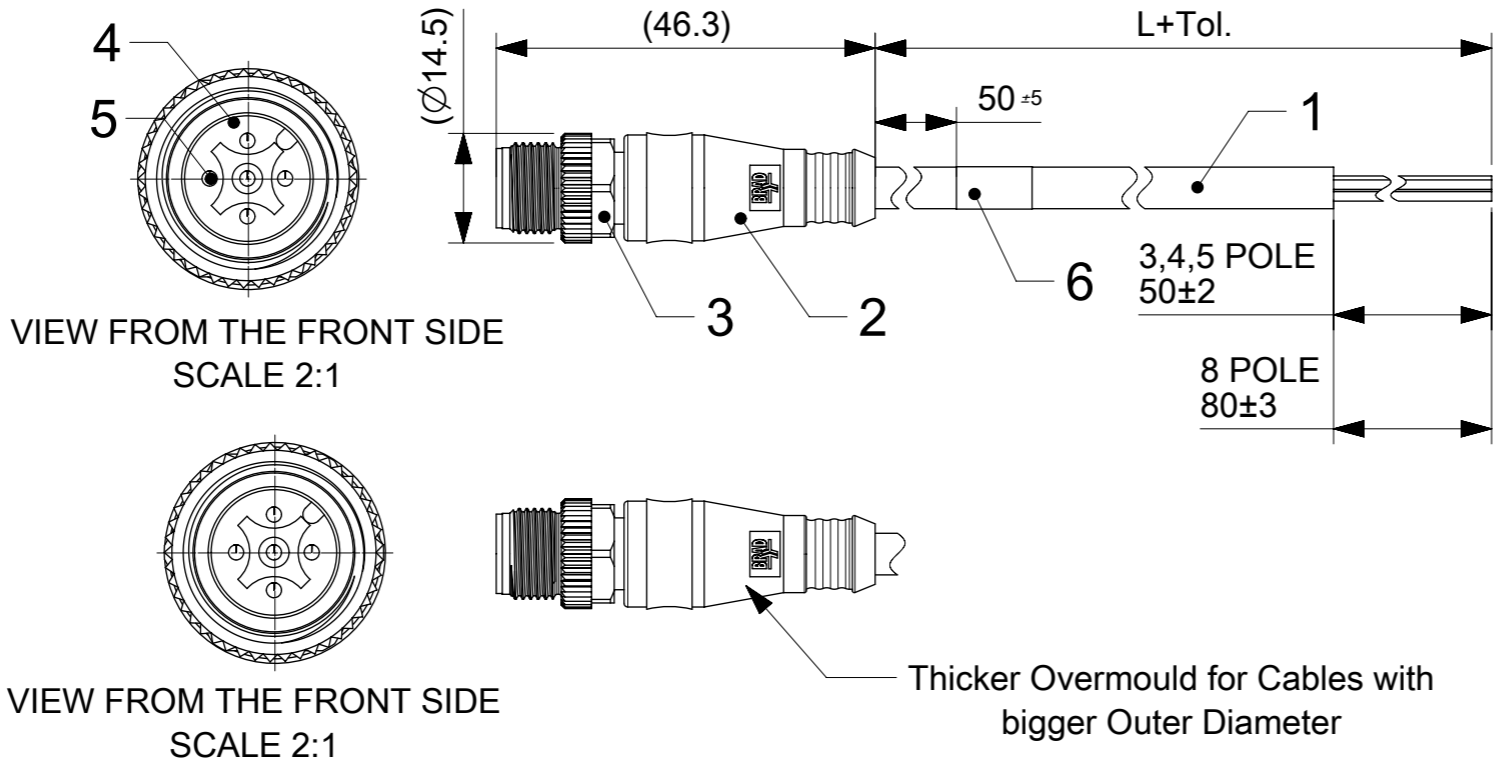
TABLE 1

| POL   | MATERIAL-NO. | ENGINEERING-NO. | L [mm] | TOLERANCE [mm] |
|-------|--------------|-----------------|--------|----------------|
| 4 POL | 1200652378   | 804006B30M010R  | 1000   | +20mm /-10mm   |
|       | 1200652379   | 804006B30M020R  | 2000   | ±25mm          |
|       | 1200652380   | 804006B30M030R  | 3000   | ±25mm          |
|       | 1200652381   | 804006B30M040R  | 4000   | ±25mm          |
|       | 1200652382   | 804006B30M050R  | 5000   | ±25mm          |
| 8 POL | 1200652383   | 808006B41M010R  | 1000   | +20mm /-10mm   |
|       | 1200652384   | 808006B41M020R  | 2000   | ±25mm          |
|       | 1200652385   | 808006B41M030R  | 3000   | ±25mm          |
|       | 1200652386   | 808006B41M040R  | 4000   | ±25mm          |
|       | 1200652387   | 808006B41M050R  | 5000   | ±25mm          |

| POS. | DESCRIPTION  | MATERIAL          | FINISH           |
|------|--------------|-------------------|------------------|
| 1    | INSERT MALE  | PUR               | BLACK            |
| 2    | CONTACT MALE | BRASS (8P)        | GOLD OVER NICKEL |
|      |              | COPPER ALLOY (4P) |                  |
| 3    | NUT          | BRASS             | NICKEL PLATED    |
| 4    | OVERMOULD    | TPU               | RED              |
| 5    | CABLE        | PUR               | BLACK            |

THIS DRAWING CONTAINS INFORMATION THAT IS PROPRIETARY TO MOLEX ELECTRONIC TECHNOLOGIES, LLC AND SHOULD NOT BE USED WITHOUT WRITTEN PERMISSION

|  |   |  |  |   |  |  |
|--|---|--|--|---|--|--|
| QUALITY SYMBOLS<br>A = 0<br>E = 0<br>EB = 0<br>▼ = 0<br>C = 0<br>⊗ = 0<br>■ = 0<br>▽ = 0 | EC NO.: 104087<br>DRWN: ULETTENMEIER<br>CHK'D: CBRUNS<br>APPR: CBRUNS | GENERAL TOLERANCES (UNLESS SPECIFIED)<br>ANGULAR TOL ± 1.0 °                   |  | DIMENSION UNITS: mm<br>SCALE: 2:1   |  |  |
|  |   | 4 PLACES ±<br>3 PLACES ±<br>2 PLACES ± 0.05<br>1 PLACE ± 0.3<br>0 PLACES ± 0.5 | DRWN BY: EJESKE<br>DATE: 2015/11/04        | PRODUCT CUSTOMER DRAWING  |  |  |
|  |   | DRAFT WHERE APPLICABLE MUST REMAIN WITHIN DIMENSIONS                           | CHK'D BY: RSILLER<br>DATE: 2015/12/02      | SERIES: 120065<br>MATERIAL NUMBER: SEE TABLE 1<br>CUSTOMER: GENERAL MARKET            |  |  |
|  |   | A1   | DRAWING SIZE: A3<br>THIRD ANGLE PROJECTION | DOCUMENT NUMBER: 1200652378<br>DOC TYPE: PSD<br>DOC PART: 000<br>SHEET NUMBER: 1 OF 1 |  |  |



NOTES:  
 RATED VOLTAGE:  
 3, 4 contacts 250V  
 5 contacts 60V  
 8 contacts 30V  
 RATED CURRENT:  
 3, 4, 5 contacts 4A  
 8 contacts 2A  
 PROTECTION CLASS: IP 67

CONTACTS POSITION FRONT VIEW:

|             | 3 CONTACTS  | 4 CONTACTS | 5 CONTACTS | 8 CONTACTS |       |   |      |   |       |   |     |      |   |       |   |       |   |      |   |       |  |     |      |   |       |   |       |   |      |   |       |   |                      |  |     |      |   |       |   |       |   |       |   |        |   |      |   |      |   |      |   |     |
|-------------|---|------------|------------|------------|-------|---|------|---|-------|---|-----|------|---|-------|---|-------|---|------|---|-------|--|-----|------|---|-------|---|-------|---|------|---|-------|---|----------------------|--|-----|------|---|-------|---|-------|---|-------|---|--------|---|------|---|------|---|------|---|-----|
| MALE        |   |            |            |            |       |   |      |   |       |   |     |      |   |       |   |       |   |      |   |       |  |     |      |   |       |   |       |   |      |   |       |   |                      |  |     |      |   |       |   |       |   |       |   |        |   |      |   |      |   |      |   |     |
| CONNECTIONS | <table border="1"> <tr><th>PIN</th><th>WIRE</th></tr> <tr><td>1</td><td>BROWN</td></tr> <tr><td>3</td><td>BLUE</td></tr> <tr><td>4</td><td>BLACK</td></tr> </table> | PIN        | WIRE       | 1          | BROWN | 3 | BLUE | 4 | BLACK | <table border="1"> <tr><th>PIN</th><th>WIRE</th></tr> <tr><td>1</td><td>BROWN</td></tr> <tr><td>2</td><td>WHITE</td></tr> <tr><td>3</td><td>BLUE</td></tr> <tr><td>4</td><td>BLACK</td></tr> </table> | PIN | WIRE | 1 | BROWN | 2 | WHITE | 3 | BLUE | 4 | BLACK | <table border="1"> <tr><th>PIN</th><th>WIRE</th></tr> <tr><td>1</td><td>BROWN</td></tr> <tr><td>2</td><td>WHITE</td></tr> <tr><td>3</td><td>BLUE</td></tr> <tr><td>4</td><td>BLACK</td></tr> <tr><td>5</td><td>GREY OR GREEN/YELLOW</td></tr> </table> | PIN | WIRE | 1 | BROWN | 2 | WHITE | 3 | BLUE | 4 | BLACK | 5 | GREY OR GREEN/YELLOW | <table border="1"> <tr><th>PIN</th><th>WIRE</th></tr> <tr><td>1</td><td>WHITE</td></tr> <tr><td>2</td><td>BROWN</td></tr> <tr><td>3</td><td>GREEN</td></tr> <tr><td>4</td><td>YELLOW</td></tr> <tr><td>5</td><td>GREY</td></tr> <tr><td>6</td><td>PINK</td></tr> <tr><td>7</td><td>BLUE</td></tr> <tr><td>8</td><td>RED</td></tr> </table> | PIN | WIRE | 1 | WHITE | 2 | BROWN | 3 | GREEN | 4 | YELLOW | 5 | GREY | 6 | PINK | 7 | BLUE | 8 | RED |
| PIN         | WIRE  |            |            |            |       |   |      |   |       |   |     |      |   |       |   |       |   |      |   |       |  |     |      |   |       |   |       |   |      |   |       |   |                      |  |     |      |   |       |   |       |   |       |   |        |   |      |   |      |   |      |   |     |
| 1           | BROWN   |            |            |            |       |   |      |   |       |   |     |      |   |       |   |       |   |      |   |       |  |     |      |   |       |   |       |   |      |   |       |   |                      |  |     |      |   |       |   |       |   |       |   |        |   |      |   |      |   |      |   |     |
| 3           | BLUE  |            |            |            |       |   |      |   |       |   |     |      |   |       |   |       |   |      |   |       |  |     |      |   |       |   |       |   |      |   |       |   |                      |  |     |      |   |       |   |       |   |       |   |        |   |      |   |      |   |      |   |     |
| 4           | BLACK   |            |            |            |       |   |      |   |       |   |     |      |   |       |   |       |   |      |   |       |  |     |      |   |       |   |       |   |      |   |       |   |                      |  |     |      |   |       |   |       |   |       |   |        |   |      |   |      |   |      |   |     |
| PIN         | WIRE  |            |            |            |       |   |      |   |       |   |     |      |   |       |   |       |   |      |   |       |  |     |      |   |       |   |       |   |      |   |       |   |                      |  |     |      |   |       |   |       |   |       |   |        |   |      |   |      |   |      |   |     |
| 1           | BROWN   |            |            |            |       |   |      |   |       |   |     |      |   |       |   |       |   |      |   |       |  |     |      |   |       |   |       |   |      |   |       |   |                      |  |     |      |   |       |   |       |   |       |   |        |   |      |   |      |   |      |   |     |
| 2           | WHITE   |            |            |            |       |   |      |   |       |   |     |      |   |       |   |       |   |      |   |       |  |     |      |   |       |   |       |   |      |   |       |   |                      |  |     |      |   |       |   |       |   |       |   |        |   |      |   |      |   |      |   |     |
| 3           | BLUE  |            |            |            |       |   |      |   |       |   |     |      |   |       |   |       |   |      |   |       |  |     |      |   |       |   |       |   |      |   |       |   |                      |  |     |      |   |       |   |       |   |       |   |        |   |      |   |      |   |      |   |     |
| 4           | BLACK   |            |            |            |       |   |      |   |       |   |     |      |   |       |   |       |   |      |   |       |  |     |      |   |       |   |       |   |      |   |       |   |                      |  |     |      |   |       |   |       |   |       |   |        |   |      |   |      |   |      |   |     |
| PIN         | WIRE  |            |            |            |       |   |      |   |       |   |     |      |   |       |   |       |   |      |   |       |  |     |      |   |       |   |       |   |      |   |       |   |                      |  |     |      |   |       |   |       |   |       |   |        |   |      |   |      |   |      |   |     |
| 1           | BROWN   |            |            |            |       |   |      |   |       |   |     |      |   |       |   |       |   |      |   |       |  |     |      |   |       |   |       |   |      |   |       |   |                      |  |     |      |   |       |   |       |   |       |   |        |   |      |   |      |   |      |   |     |
| 2           | WHITE   |            |            |            |       |   |      |   |       |   |     |      |   |       |   |       |   |      |   |       |  |     |      |   |       |   |       |   |      |   |       |   |                      |  |     |      |   |       |   |       |   |       |   |        |   |      |   |      |   |      |   |     |
| 3           | BLUE  |            |            |            |       |   |      |   |       |   |     |      |   |       |   |       |   |      |   |       |  |     |      |   |       |   |       |   |      |   |       |   |                      |  |     |      |   |       |   |       |   |       |   |        |   |      |   |      |   |      |   |     |
| 4           | BLACK   |            |            |            |       |   |      |   |       |   |     |      |   |       |   |       |   |      |   |       |  |     |      |   |       |   |       |   |      |   |       |   |                      |  |     |      |   |       |   |       |   |       |   |        |   |      |   |      |   |      |   |     |
| 5           | GREY OR GREEN/YELLOW  |            |            |            |       |   |      |   |       |   |     |      |   |       |   |       |   |      |   |       |  |     |      |   |       |   |       |   |      |   |       |   |                      |  |     |      |   |       |   |       |   |       |   |        |   |      |   |      |   |      |   |     |
| PIN         | WIRE  |            |            |            |       |   |      |   |       |   |     |      |   |       |   |       |   |      |   |       |  |     |      |   |       |   |       |   |      |   |       |   |                      |  |     |      |   |       |   |       |   |       |   |        |   |      |   |      |   |      |   |     |
| 1           | WHITE   |            |            |            |       |   |      |   |       |   |     |      |   |       |   |       |   |      |   |       |  |     |      |   |       |   |       |   |      |   |       |   |                      |  |     |      |   |       |   |       |   |       |   |        |   |      |   |      |   |      |   |     |
| 2           | BROWN   |            |            |            |       |   |      |   |       |   |     |      |   |       |   |       |   |      |   |       |  |     |      |   |       |   |       |   |      |   |       |   |                      |  |     |      |   |       |   |       |   |       |   |        |   |      |   |      |   |      |   |     |
| 3           | GREEN   |            |            |            |       |   |      |   |       |   |     |      |   |       |   |       |   |      |   |       |  |     |      |   |       |   |       |   |      |   |       |   |                      |  |     |      |   |       |   |       |   |       |   |        |   |      |   |      |   |      |   |     |
| 4           | YELLOW  |            |            |            |       |   |      |   |       |   |     |      |   |       |   |       |   |      |   |       |  |     |      |   |       |   |       |   |      |   |       |   |                      |  |     |      |   |       |   |       |   |       |   |        |   |      |   |      |   |      |   |     |
| 5           | GREY  |            |            |            |       |   |      |   |       |   |     |      |   |       |   |       |   |      |   |       |  |     |      |   |       |   |       |   |      |   |       |   |                      |  |     |      |   |       |   |       |   |       |   |        |   |      |   |      |   |      |   |     |
| 6           | PINK  |            |            |            |       |   |      |   |       |   |     |      |   |       |   |       |   |      |   |       |  |     |      |   |       |   |       |   |      |   |       |   |                      |  |     |      |   |       |   |       |   |       |   |        |   |      |   |      |   |      |   |     |
| 7           | BLUE  |            |            |            |       |   |      |   |       |   |     |      |   |       |   |       |   |      |   |       |  |     |      |   |       |   |       |   |      |   |       |   |                      |  |     |      |   |       |   |       |   |       |   |        |   |      |   |      |   |      |   |     |
| 8           | RED   |            |            |            |       |   |      |   |       |   |     |      |   |       |   |       |   |      |   |       |  |     |      |   |       |   |       |   |      |   |       |   |                      |  |     |      |   |       |   |       |   |       |   |        |   |      |   |      |   |      |   |     |

FOR OPTION SEE - NUMERICAL CODE - ON SHEET 2

| ITEM | QTY.  | DESCRIPTION         | MATERIAL    | FINISH              |
|------|-------|---------------------|-------------|---------------------|
| 6    | 1     | LABEL               | VINYL       | YELLOW              |
| 5    | 3/4/5 | CONTACT MA          | COPPER      | GOLD OVER Ni-PLATED |
|      | 8     | CONTACT MA          | BRASS       | GOLD OVER Ni-PLATED |
| 4    | 1     | INSERT M12 MA XP BK | PUR         | -                   |
| 3    | 1     | COUPLING NUT M12 MA | SEE SHEET 2 | SEE SHEET 2         |
| 2    | -     | OVERMOULDING        | TPU         | SEE SHEET 2         |
| 1    | -     | CABLE               | SEE SHEET 2 | -                   |

THIS DRAWING CONTAINS INFORMATION THAT IS PROPRIETARY TO MOLEX ELECTRONIC TECHNOLOGIES, LLC AND SHOULD NOT BE USED WITHOUT WRITTEN PERMISSION

|                        |  |        |  |                |              |
|------------------------|--|--------|--|----------------|--------------|
| SYMBOLS                | DIMENSION UNITS                                      | SCALE  | CURRENT REV DESC: ADDED NEW PN'S         |                |              |
| ▽ = 0                  | mm   | 1:1    | <br>CSE M12 XP AC MA STR WSOR XM SE UNSH |                |              |
| ▽ = 0                  | GENERAL TOLERANCES (UNLESS SPECIFIED)                |        |  |                |              |
| ▽ = 0                  | ANGULAR TOL ± 1.0°                                   |        | EC NO: 622689                            |                |              |
| ▽ = 0                  | 4 PLACES   | ±      | DRWN: MCELEJEWSKI 2019/08/20             |                |              |
| ▽ = 0                  | 3 PLACES   | ± 0.05 | CHK'D: DSTACHOWIAK 2019/08/20            |                |              |
| ▽ = 0                  | 2 PLACES   | ± 0.3  | APPR: DSTACHOWIAK 2019/08/20             |                |              |
| ▽ = 0                  | 1 PLACE  | ± 0.5  | INITIAL REVISION:                        |                |              |
| ▽ = 0                  | 0 PLACES   | ±      | DRWN: AKONDRACIUK 2016/11/28             |                |              |
| ▽ = 0                  | DRAFT WHERE APPLICABLE MUST REMAIN WITHIN DIMENSIONS |        | APPR: MIWASIECZKO 2016/12/06             |                |              |
| THIRD ANGLE PROJECTION | DRAWING  | SERIES | MATERIAL NUMBER                          | CUSTOMER       | SHEET NUMBER |
|                        | A3-SIZE  | 120065 | SEE SHEET 3                              | GENERAL MARKET | 1 OF 3       |



# PART LIST

## 3 POLE - CABLE B30

| MOLEX PN   | ENGINEERING No | L [mm] |
|------------|----------------|--------|
| 1200652271 | 803006B30M010  | 1000   |
| 1200652272 | 803006B30M020  | 2000   |
| 1200652273 | 803006B30M050  | 5000   |
| 1200652274 | 803006B30M100  | 10000  |

## 4 POLE - CABLE B55

| MOLEX PN   | ENGINEERING No | L [mm] |
|------------|----------------|--------|
| 1200659943 | 804006B55M050Y | 5000   |
| 1200659944 | 804006B55M100Y | 10000  |
| 1200656634 | 804006B55M010Y | 1000   |
| 1200656635 | 804006B55M020Y | 2000   |
| 1200656636 | 804006B55M030Y | 3000   |
| 1200656637 | 804006B55M150Y | 15000  |

## 5 POLE - CABLE B42

| MOLEX PN   | ENGINEERING No | L [mm] |
|------------|----------------|--------|
| 1200652279 | 805006B42M010  | 1000   |
| 1200652280 | 805006B42M020  | 2000   |
| 1200652281 | 805006B42M050  | 5000   |
| 1200652282 | 805006B42M100  | 10000  |
| 1200659546 | 805006B42M200  | 20000  |
| 1200659547 | 805006B42M300  | 30000  |

## 4 POLE - CABLE B30

| MOLEX PN   | ENGINEERING No | L [mm] |
|------------|----------------|--------|
| 1200652275 | 804006B30M010  | 1000   |
| 1200652276 | 804006B30M020  | 2000   |
| 1200656001 | 804006B30M030  | 3000   |
| 1200656002 | 804006B30M040  | 4000   |
| 1200652277 | 804006B30M050  | 5000   |
| 1200652278 | 804006B30M100  | 10000  |
| 1200659440 | 804006B30M150  | 15000  |
| 1200656066 | 804006B30M005  | 500    |
| 1200656296 | 804006B30M080  | 8000   |
| 1200652378 | 804006B30M010R | 1000   |
| 1200652379 | 804006B30M020R | 2000   |
| 1200652380 | 804006B30M030R | 3000   |
| 1200652381 | 804006B30M040R | 4000   |
| 1200652382 | 804006B30M050R | 5000   |

## 5 POLE - CABLE B30

| MOLEX PN   | ENGINEERING No | L [mm] |
|------------|----------------|--------|
| 1200659964 | 805006B30M006  | 600    |
| 1200659526 | 805006B30M010  | 1000   |
| 1200659527 | 805006B30M020  | 2000   |
| 1200659528 | 805006B30M050  | 5000   |
| 1200659529 | 805006B30M100  | 10000  |
| 1200656398 | 805006B30M150  | 15000  |
| 1200656399 | 805006B30M200  | 20000  |
| 1200656400 | 805006B30M300  | 30000  |
| 1200656401 | 805006B30M500  | 50000  |
| 1200656679 | 805006B30M030  | 3000   |

## 5 POLE - CABLE B55

| MOLEX PN   | ENGINEERING No | L [mm] |
|------------|----------------|--------|
| 1200659945 | 805006B55M050Y | 5000   |
| 1200659946 | 805006B55M100Y | 10000  |
| 1200659947 | 805006B55M150Y | 15000  |
| 1200656680 | 805006B55M010Y | 1000   |
| 1200656681 | 805006B55M020Y | 2000   |
| 1200656682 | 805006B55M030Y | 3000   |

## 8 POLE - CABLE B41

| MOLEX PN   | ENGINEERING No | L [mm] |
|------------|----------------|--------|
| 1200659680 | 808006B41M003  | 300    |
| 1200652302 | 808006B41M010  | 1000   |
| 1200659453 | 808006B41M020  | 2000   |
| 1200659776 | 808006B41M030  | 3000   |
| 1200656003 | 808006B41M040  | 4000   |
| 1200652305 | 808006B41M100  | 10000  |
| 1200652304 | 808006B41M050  | 5000   |
| 1200652383 | 808006B41M010R | 1000   |
| 1200652384 | 808006B41M020R | 2000   |
| 1200652385 | 808006B41M030R | 3000   |
| 1200652386 | 808006B41M040R | 4000   |
| 1200652387 | 808006B41M050R | 5000   |

## 4 POLE - CABLE B33

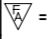
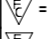
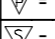
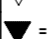
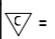
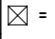


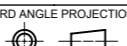
| MOLEX PN   | ENGINEERING No | L [mm] |
|------------|----------------|--------|
| 1200659451 | 804006B33M020  | 2000   |
| 1200659596 | 804006B33M020A | 2000   |
| 1200659597 | 804006B33M050A | 5000   |
| 1200656487 | 804006B33M010A | 1000   |
| 1200656488 | 804006B33M100A | 10000  |
| 1200656489 | 804006B33M003A | 300    |
| 1200656521 | 804006B33M005A | 500    |
| 1200656522 | 804006B33M030A | 3000   |
| 1200656614 | 804006B33M150A | 15000  |

## 5 POLE - CABLE B33

| MOLEX PN   | ENGINEERING No | L [mm] |
|------------|----------------|--------|
| 1200659452 | 805006B33M020  | 2000   |
| 1200656673 | 805006B33M010A | 1000   |
| 1200656674 | 805006B33M020A | 2000   |
| 1200656675 | 805006B33M030A | 3000   |
| 1200656676 | 805006B33M050A | 5000   |
| 1200656677 | 805006B33M100A | 10000  |
| 1200656678 | 805006B33M150A | 15000  |

## 5 POLE - CABLE B36

| MOLEX PN   | ENGINEERING No  | L [mm] |
|------------|-----------------|--------|
| 1200656552 | 805006B36M1007Y | 10000  |

|   |  |  |   |  |                             |
|---|--|--|---|--|-----------------------------|
| <b>SYMBOLS</b><br> = 0<br> = 0<br> = 0<br> = 0<br> = 0<br> = 0<br> = 0 | THIS DRAWING CONTAINS INFORMATION THAT IS PROPRIETARY TO MOLEX ELECTRONIC TECHNOLOGIES, LLC AND SHOULD NOT BE USED WITHOUT WRITTEN PERMISSION<br>DIMENSION UNITS: <b>mm</b><br>SCALE: <b>1:1</b> | CURRENT REV DESC: ADDED NEW PN'S<br>EC NO: 622689<br>DRWN: MCELEJEWSKI 2019/08/20<br>CHK'D: DSTACHOWIAK 2019/08/20<br>APPR: DSTACHOWIAK 2019/08/20 | <br>CSE M12 XP AC MA STR WSOR XM SE UNSH |  |                             |
|   | GENERAL TOLERANCES (UNLESS SPECIFIED)<br>ANGULAR TOL ± 1.0°<br>4 PLACES ±<br>3 PLACES ± 0.05<br>2 PLACES ± 0.3<br>1 PLACE ± 0.5<br>0 PLACES ±  | INITIAL REVISION:<br>DRWN: AKONDRACIUK 2016/11/28<br>APPR: MIWASIECZKO 2016/12/06  | DOCUMENT NUMBER: <b>1200659964</b><br>DOC TYPE: PSD<br>DOC PART: 00P<br>REVISION: C   | PRODUCT CUSTOMER DRAWING                                   |                             |
|   | DRAFT WHERE APPLICABLE MUST REMAIN WITHIN DIMENSIONS   | THIRD ANGLE PROJECTION<br>                                    | DRAWING: <b>A3-SIZE</b><br>SERIES: <b>120065</b>  | MATERIAL NUMBER: SEE PART LIST<br>CUSTOMER: GENERAL MARKET | SHEET NUMBER: <b>3 OF 3</b> |
|   |  |  |   |  |                             |