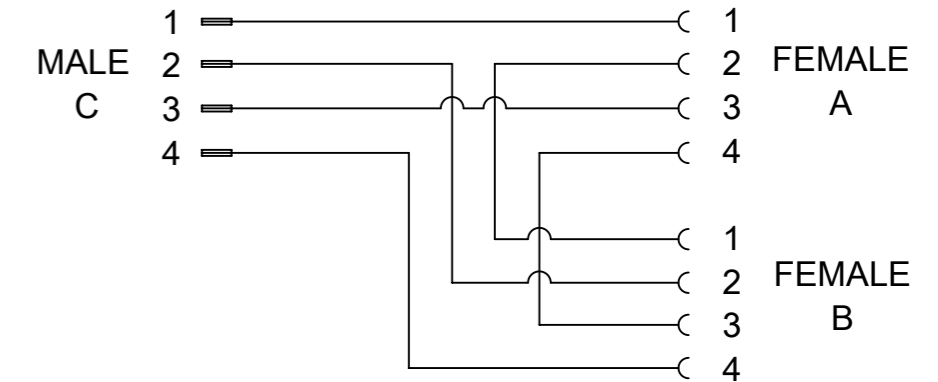
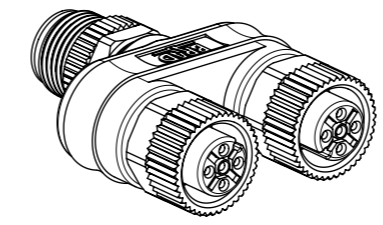


WIRING DIAGRAM
Verdrahtungsplan



SCALE 1:1



CONNECTOR SPECIFICATION / Steckverbindungs-Eigenschaften	
VOLTAGE RATING/Betriebsspannung	250V AC/DC
AMPERAGE RATING/Bemessungsstrom	max. 4 AMPS (40°C)
PROTECTION/IP-Schutzart	IP67
OPERATING TEMPERATURE/Temperaturbereich	-25°C TO +90°C

POS.	DESCRIPTION	MATERIAL	FINISH
1	INSERT MALE	PUR	BLACK
2	CONTACT MALE	COPPER ALLOY	GOLD OVER NICKEL
3	NUT MALE	BRASS	NICKEL PLATED
4	OVERMOULD	ELASTOLLAN	RED
5	NUT FEMALE	BRASS	NICKEL PLATED
6	INSERT FEMALE	TPU	BLACK
7	CONTACT FEMALE	COPPER ALLOY	GOLD OVER NICKEL
8	GASKET	FPM	RED

RELEASE STATUS P1 RELEASE DATE 2016/04/18 15:44:47

QUALITY SYMBOLS FA = 0 FE = 0 FB = 0 FV = 0 FC = 0 FX = 0 FS = 0 FT = 0	THIS DRAWING CONTAINS INFORMATION THAT IS PROPRIETARY TO MOLEX ELECTRONIC TECHNOLOGIES, LLC AND SHOULD NOT BE USED WITHOUT WRITTEN PERMISSION		DIMENSION UNITS: mm SCALE: 2:1			
	GENERAL TOLERANCES (UNLESS SPECIFIED) ANGULAR TOL ± 1.0 °		DRWN BY: EJESKE DATE: 2015/10/27			SPL YS M12 4P AC MA/FE
	4 PLACES ± 3 PLACES ± 2 PLACES ± 0.05 1 PLACE ± 0.3 0 PLACES ± 0.5		CHK'D BY: RSILLER DATE: 2015/12/02			
	DRAFT WHERE APPLICABLE MUST REMAIN WITHIN DIMENSIONS		APPR BY: RSILLER DATE: 2015/12/02			SERIES: 120068 MATERIAL NUMBER: 1200688219 CUSTOMER: GENERAL MARKET
EC NO: 104347 DRWN: FGAIK CHK'D: CBRUNS APPR: CBRUNS		A2		DRAWING SIZE: A3 THIRD ANGLE PROJECTION		DOCUMENT NUMBER: 1200688219 DOC TYPE: PSD DOC PART: 000 SHEET NUMBER: 1 OF 1