

PLEASE CHECK WWW.MOLEX.COM FOR LATEST PART INFORMATION

Part Number: [120074-0079](#)
Status: **Active**
Overview: Brad® Micro-Change® (M12) Connectors
Description: Micro-Change® (M12) US Dual Keyway Receptacle, 1/4" - 18NPT Threads, Straight Male, 3 Poles, Length 0.30m

Documents:

[Drawing \(PDF\)](#) [RoHS Certificate of Compliance \(PDF\)](#)

Agency Certification

CSA LR6837
 UL E152210

General

Product Family Industrial Receptacles
 Series [120074](#)
 IP Rating IP67
 NEMA Rating NEMA 6
 Overview [Brad® Micro-Change® \(M12\) Connectors](#)
 Product Name Micro-Change® (M12)
 Type Single Ended (pigtail)
 UPC 78678822674

Physical

Coupling Type External Thread
 Gender Male
 Keyway Reverse
 Length 0.30m
 Material - Component Gray Anodized Aluminum
 Mounting Thread Size 1/4" - 18 NPT
 Net Weight 60.590g
 Orientation Straight
 Panel Mount Front
 Poles 3
 Temperature Range - Operating -20°C to +80°C
 Wire Size AWG 22
 Wire/Cable Type UL 1061

Electrical

Current - Maximum per Contact 4A
 Voltage - Maximum 250V

Material Info

Old Part Number 7R3A06A19A120

Reference - Drawing Numbers

Sales Drawing SD-120074-001, SD-120074-030

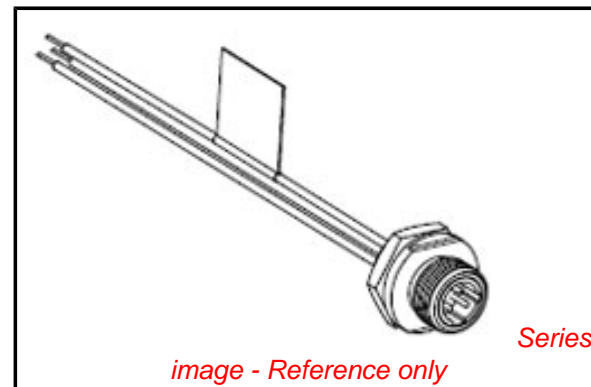


image - Reference only

EU RoHS

**ELV and RoHS
Compliant**

REACH SVHC

Not Reviewed

Low-Halogen Status

Not Reviewed

China RoHS



**Need more information on product
environmental compliance?**

Email productcompliance@molex.com
 For a multiple part number RoHS Certificate of Compliance, [click here](#)

Please visit the [Contact Us](#) section for any non-product compliance questions.

Search Parts in this Series

120074Series