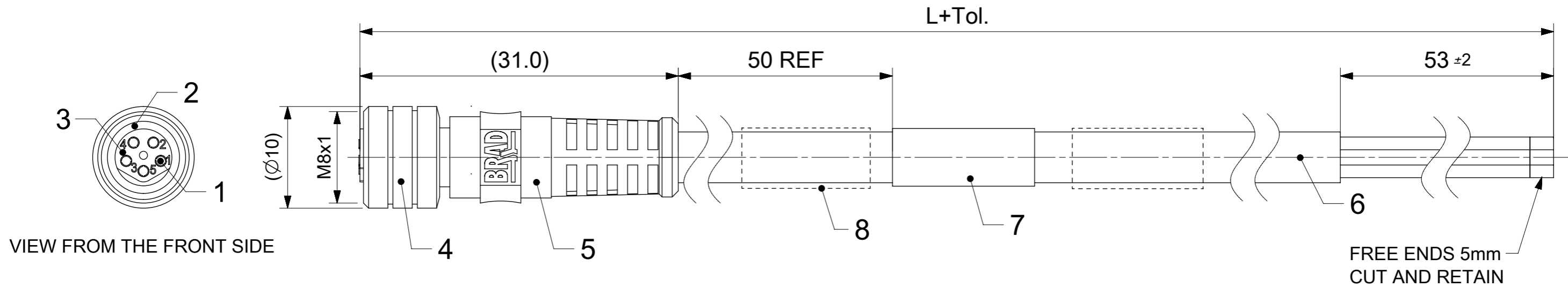


# FEMALE PLUG M8 STRAIGHT



**NOTES:**  
 RATED VOLTAGE: 3 contacts 60V AC/DC  
 4 and 5 contacts 30V AC/DC  
 CURRENT RATING: 3, 4, 5 contacts 3A  
 PROTECTION CLASS: IP 67  
 TEMPERATURE: -25°C / +80°C

CONTACTS POSITION FRONT VIEW:

	3 CONTACTS		4 CONTACTS		5 CONTACTS	
FEMALE						
CONNECTIONS	PIN	WIRE	PIN	WIRE	PIN	WIRE
	1	BROWN	1	BROWN	1	BROWN
	3	BLUE	2	WHITE	2	WHITE
	4	BLACK	3	BLUE	3	BLUE
			4	BLACK	4	BLACK
				5	GREY	

CODING ACCORDING TO IEC 61076-2-104

FOR OPTIONS SEE - NUMERICAL CODE - ON SHEET 2

ITEM	QTY.	DESCRIPTION	MATERIAL	FINISH
8	2	I/D CARRIER (SEE MATRIX)	---	---
7	1	LABEL YELLOW	VINYL	---
	-	PRINTING FOR CABLES Ixx	---	---
6	-	CABLE	SEE SHEET 2	---
5	-	OVERMOULDING	TPU	SEE SHEET 2
4	1	COUPLING NUT M8 FEMALE	BRASS	SEE SHEET 2
3	1	INSERT FEMALE BLACK	TPU	---
2	1	O-RING RED	FKM	---
1	3 / 4 / 5	CONTACT M8 FEMALE	COPPER	SELECTIVE Au OVER Ni

PENDING APPROVAL

SYMBOLS	THIS DRAWING CONTAINS INFORMATION THAT IS PROPRIETARY TO MOLEX ELECTRONIC TECHNOLOGIES, LLC AND SHOULD NOT BE USED WITHOUT WRITTEN PERMISSION	CURRENT REV DESC:		<b>molex</b>
	mm	SCALE	2:1	
	GENERAL TOLERANCES (UNLESS SPECIFIED)			
	ANGULAR TOL ± °			
▽ = 0	4 PLACES ±	EC NO: 632381	2020/02/03	M8 SINGLE ENDED FEMALE STRAIGHT
▽ = 0	3 PLACES ±	DRWN: SSM		
▽ = 0	2 PLACES ±	CHK'D:		PRODUCT CUSTOMER DRAWING
▽ = 0	1 PLACE ±	APPR:		DOCUMENT NUMBER
□ = 0	0 PLACES ±	INITIAL REVISION:		1200860594
■ = 0	DRAFT WHERE APPLICABLE MUST REMAIN WITHIN DIMENSIONS	DRWN: AKONDRACIUK	2017/02/16	DOC TYPE
▽ = 0	THIRD ANGLE PROJECTION	APPR: MIWASIECZKO	2017/11/16	PSD
		DRAWING	A3-SIZE	DOC PART
		SERIES	120086	000
		MATERIAL NUMBER	SEE SHEET 3-4	REVISION
		CUSTOMER	GENERAL MARKET	A4
		SHEET NUMBER	1 OF 4	

DOCUMENT STATUS	RQ	RELEASE DATE
-----------------	----	--------------

# ENGINEERING NO. - NUMERICAL CODE (Available parts see PART LIST table. Other parts available upon request).

## OPTIONS

4 0 X 0 0 0 X X X X X X X X

40=Nano-Change  
M8x1  
Double ended

Contacts:  
3=3 Contacts  
4=4 Contacts  
5=5 Contacts

Heads style:  
000=Plug Female Straight

Cable type: See Table

Units:  
M=Meter  
C=Centimeter

Length  
Examples:  
005=0.5 unit  
010=1 unit  
100=10 unit

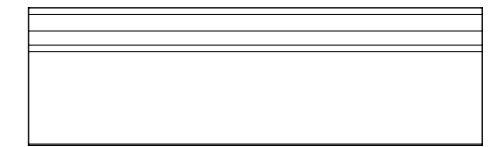
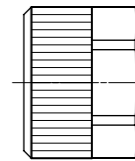
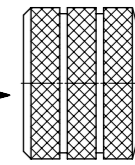
Overmold color:  
Blank (Standard)=Black  
A = Grey / G=Black / Y=Yellow  
For Cable K05 = Yellow Overmould

Coupling Nut:  
Blank (Standard)=Knurled Brass Ni Plated  
9 = Knurled / Hexagonal SW9 Brass Ni Plated

7 = Teflon

H = 2 pcs. of I/D Carrier PVC Transparent  
(Cables lxx & P82 always with 2 pcs. of I/D Carrier)

COUPLING NUT  
FEMALE



## CABLE INFORMATION (for more information see Cable Data Sheet).

CABLE TYPE	NO. OF WIRES	CROSS SECTION	CABLE JACKET	UL	CSA	STATIC: TEMP. / BENDING RADIUS	DYNAMIC: TEMP. / BENDING RADIUS	DRAG CHAIN	SHIELD
E02	3 / 4 / 5	0.25mm <sup>2</sup>	PVC BLACK	UL 2464/1729	C22.2 I/II A/B 80°C/300V	-30°C to +80°C, >10xO.D.	-10°C to +80°C, >15xO.D.	-	-
E18	3 / 4	0.20mm <sup>2</sup>	PVC YELLOW	-	-	-30°C to +70°C	-5°C to +70°C	-	-
E51	4	0.25mm <sup>2</sup>	PVC GREY	-	-	-	-	-	-
E52	3 / 4 / 8	0.34mm <sup>2</sup>	PVC GREY	-	-	-30°C to +70°C	-5°C to +70°C	-	-
E54	3	0.25mm <sup>2</sup>	PVC GREY	-	-	-25°C to +70°C	-5°C to +70°C	-	-
H08	3 / 4 / 5	0.25mm <sup>2</sup>	PUR BLACK LS0H	UL 21198/10493	C22.2 I/II A/B 80°C/300V	-40°C to +80°C, >5xO.D.	-25°C to +80°C, >10xO.D.	2 000 000 cycles at 20°C, Temp. range +5°C to +60°C	-
H09	3 / 4 / 5	0.34mm <sup>2</sup>	PUR BLACK LS0H	UL 21198/10493	C22.2 I/II A/B 80°C/300V	-40°C to +80°C, >5xO.D.	-25°C to +80°C, >10xO.D.	2 000 000 cycles at 20°C, Temp. range +5°C to +60°C	-
H69	4	0.20mm <sup>2</sup>	PUR GRAY LS0H	-	-	-	-	-	-
I02	3 / 4	0.25mm <sup>2</sup>	PVC CEI GREY	-	-	-30°C to +70°C	-5°C to +70°C	-	-
P02	3 / 4 / 5	0.25mm <sup>2</sup>	PUR / PVC BLACK	-	-	-30°C to +80°C, >7xO.D.	-5°C to +80°C, >15xO.D.	-	-
P03	3 / 4 / 5	0.34mm <sup>2</sup>	PUR / PVC BLACK	-	-	-30°C to +80°C, >7xO.D.	-5°C to +80°C, >15xO.D.	-	-
P18	4	0.20mm <sup>2</sup>	PUR YELLOW	-	-	-	-	-	-
P82	3	0.34mm <sup>2</sup>	PUR IRR ORANGE	-	-	-50°C to +105°C, >5xO.D.	-40°C to +105°C, >7.5xO.D.	-	-
K05	3 / 4 / 5	0.34mm <sup>2</sup>	TPE YELLOW	UL ITC E195601 or PLC	I/II A/B 90°C/300V	-	-	-	-
L03	3	0.34mm <sup>2</sup>	Blend PUR ORANGE	-	-	-30°C to +90°C	-5°C to +90°C	-	-
A10	3 / 4 / 5	0.25mm <sup>2</sup>	PVC YELLOW	UL 2661	I/II A/B 105°C/300V	-	-	-	-

## CABLE LENGTH TOLERANCES

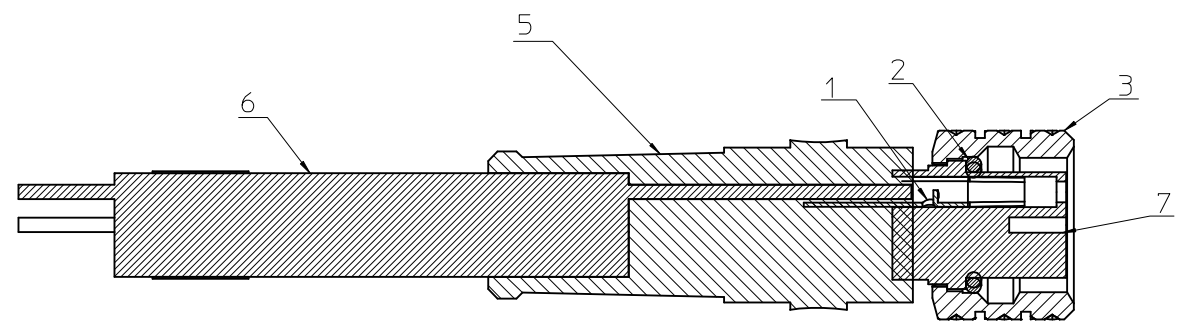
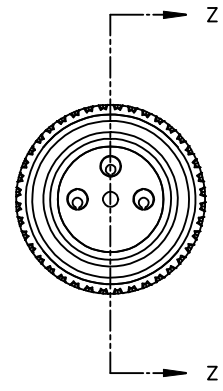
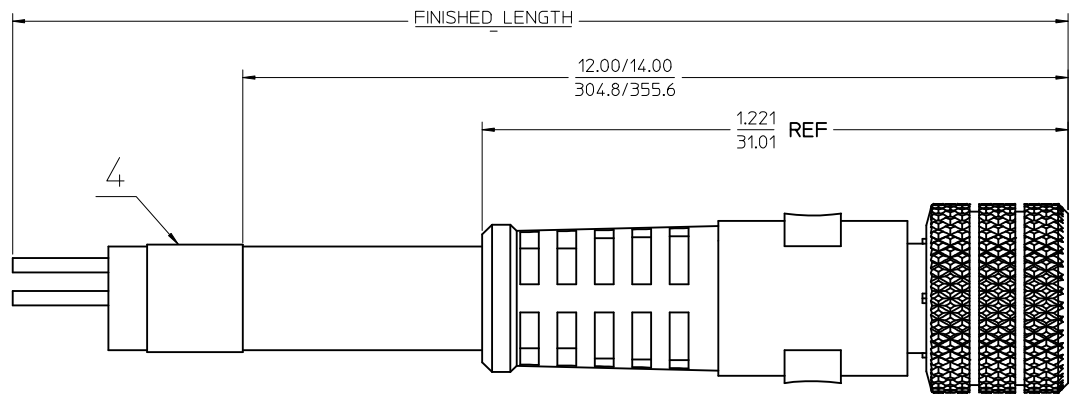
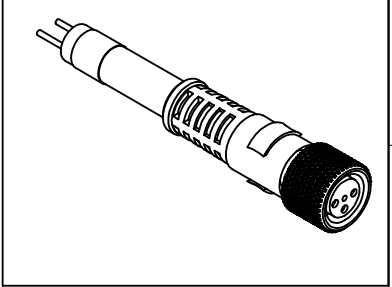
OVER	UP TO AND INCLUDING	TOLERANCES
0	305mm	+19mm
305mm	915mm	+45mm
915mm	1830mm	+56mm
1830mm	3660mm	+89mm
3660mm	7320mm	+165mm
7320mm	14640mm	+317mm
14640mm	30500mm	+610mm
30500mm	>	+2% of finished length

PENDING APPROVAL

SYMBOLS	THIS DRAWING CONTAINS INFORMATION THAT IS PROPRIETARY TO MOLEX ELECTRONIC TECHNOLOGIES, LLC AND SHOULD NOT BE USED WITHOUT WRITTEN PERMISSION		CURRENT REV DESC:		<b>molex</b>
	▽ = 0	mm	SCALE	2:1	
▽ = 0	GENERAL TOLERANCES (UNLESS SPECIFIED)		EC NO: 632381		M8 SINGLE ENDED FEMALE STRAIGHT
▽ = 0	ANGULAR TOL ± °		DRWN: SSM 2020/02/03		
▽ = 0	4 PLACES ±	INITIAL REVISION:		PRODUCT CUSTOMER DRAWING	
▽ = 0	3 PLACES ±	DRWN: AKONDRACIUK 2017/02/16			
▽ = 0	2 PLACES ±	APPR: MIWASIECZKO 2017/11/16		DOCUMENT NUMBER	
▽ = 0	1 PLACE ±	APPR: MIWASIECZKO 2017/11/16			1200860594
▽ = 0	0 PLACES ±	DRAFT WHERE APPLICABLE MUST REMAIN WITHIN DIMENSIONS		DOC TYPE	
▽ = 0	THIRD ANGLE PROJECTION		DRAWING	SERIES	DOC PART
▽ = 0	A3-SIZE		120086	MATERIAL NUMBER	REVISION
▽ = 0	SEE SHEET 3-4		GENERAL MARKET	A4	
▽ = 0	SHEET NUMBER		2 OF 4		







Section Z-Z

FEMALE INSERT FRONT VIEW		
3 POLE	4 POLE	5 POLE
1 BROWN 3 BLUE 4 BLACK	1 BROWN 2 WHITE 3 BLUE 4 BLACK	1 BROWN 2 WHITE 3 BLUE 4 BLACK 5 GREY

ENTER DESCRIPTION EC NO: MNA2009-0804 DRAWN BY: DRWINAKUMAR01 2009/06/30 CHKD: JFMURPHY APPR: JFMURPHY 2009/07/08	QUALITY SYMBOLS ▽=0 ▽=0
---	-------------------------------

GENERAL TOLERANCES (UNLESS SPECIFIED)	
mm	INCH
4 PLACES ± ---	± ---
3 PLACES ± ---	± ---
2 PLACES ± ---	± ---
1 PLACE ± ---	± ---
ANGULAR ±1/2°	
DRAFT WHERE APPLICABLE MUST REMAIN WITHIN DIMENSIONS	

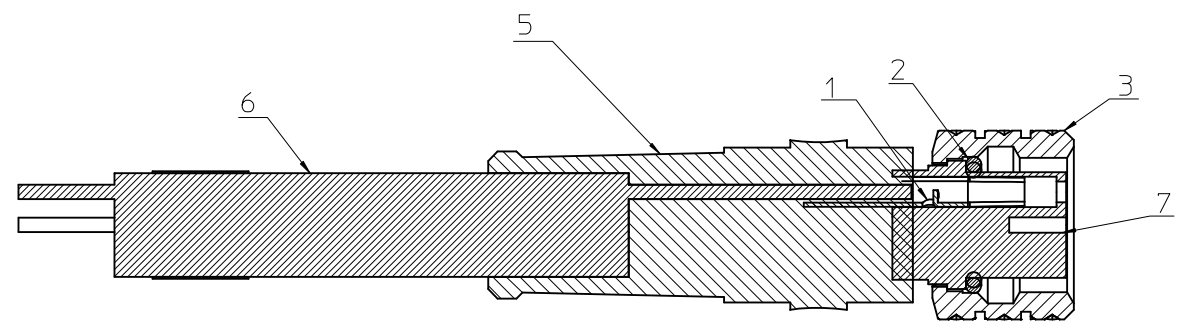
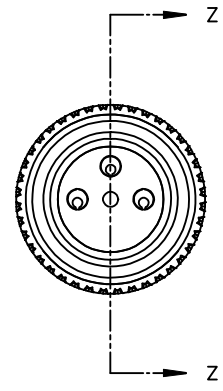
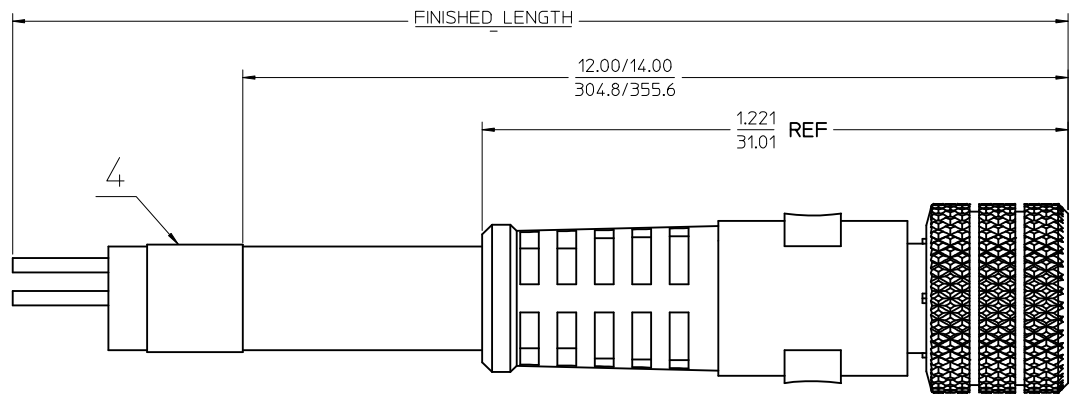
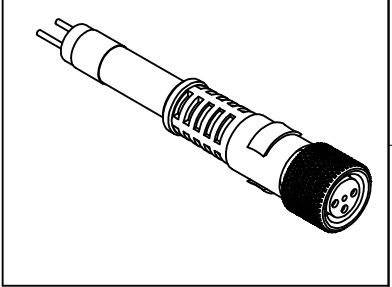
DIMENSION STYLE	
IN/MM	
DRAWN BY	DATE
NKUMAR01	30/06/09
CHECKED BY	DATE
BWOODMAN	30/06/09
APPROVED BY	DATE
JFMURPHY	30/06/09

SCALE 5:1	DESIGN UNITS INCH	THIRD ANGLE PROJECTION
TITLE NC 3P FP 2M COUPLER 24AWG PVC		
MATERIAL NO. SEE SHEET 2		DOCUMENT NO. SD-120086-102
MOLEX INCORPORATED		SHEET NO. 1 OF 2
THIS DRAWING CONTAINS INFORMATION THAT IS PROPRIETARY TO MOLEX INCORPORATED AND SHOULD NOT BE USED WITHOUT WRITTEN PERMISSION		

				ASSEMBLY		
				3 POLE	4 POLE	5 POLE
SL.No	DESCRIPTION	MATERIAL	FINISH	QTY		
1	CONTACT SOCKET	COPPER ALLOY	GOLD PLATED	3	4	5
2	O-RING	VITON	RED	1	1	1
3	COUPLING NUT	BRASS	NICKEL PLATED			
4	LABEL	PLASTIC FILM	BLACK/YELLOW			
5	OVER MOLD	TPE	YELLOW			
6	CABLE, 24 AWG, 3 CONDUCTOR	PVC JACKET	YELLOW	1		
	CABLE, 24 AWG, 4 CONDUCTOR	PVC JACKET	YELLOW		1	
	CABLE, 24 AWG, 5 CONDUCTOR	PVC JACKET	YELLOW			1
7	INSERT FEMALE 3 POLE	PUR	BLACK	1		
	INSERT FEMALE 4 POLE	PUR	BLACK		1	
	INSERT FEMALE 5 POLE	PUR	BLACK			1

PART NUMBER	DESCRIPTION	FINISHED LENGTH
1200860102	403000A10M020	2M +90MM -0 [6' 6" +3.5" -0]
1200860106	403000A10M040	4M +150MM -0 [13' 1" +6" -0]
1200860107	403000A10M050	5M +150MM -0 [16' 4" +6" -0]
1200860108	403000A10M060	6M +150MM -0 [19' 7" +6" -0]
1200860111	403000A10M100	10M +300MM -0 [32' 4" +12" -0]
1200860144	404000A10M020	2M +90MM -0 [6' 6" +3.5" -0]
1200860146	404000A10M040	4M +150MM -0 [13' 1" +6" -0]
1200860147	404000A10M050	5M +150MM -0 [16' 4" +6" -0]
1200860148	404000A10M060	6M +150MM -0 [19' 7" +6" -0]
1200860155	404000A10M100	10M +300MM -0 [32' 4" +12" -0]
1200860191	405000A10M020	2M +90MM -0 [6' 6" +3.5" -0]
1200860192	405000A10M040	4M +150MM -0 [13' 1" +6" -0]
1200860193	405000A10M050	5M +150MM -0 [16' 4" +6" -0]
1200860578	405000A10M060	6M +150MM -0 [19' 7" +6" -0]
1200860194	405000A10M100	10M +300MM -0 [32' 4" +12" -0]

<b>ENTER DESCRIPTION</b> EC NO: MNA2009-0804 DRWN: NKUMAR01 2009/06/30 CHKD: APPR: JFMURPHY 2009/07/08 REV: A	QUALITY SYMBOLS =0 =0	GENERAL TOLERANCES (UNLESS SPECIFIED)		DIMENSION STYLE IN/MM	SCALE 5:1	DESIGN UNITS INCH	THIRD ANGLE PROJECTION		
		4 PLACES ± --- ± --- 3 PLACES ± --- ± --- 2 PLACES ± --- ± --- 1 PLACE ± --- ± ---	mm INCH ± --- ± --- ± --- ± --- ± --- ± --- ± --- ± ---	DRAWN BY NKUMAR01	DATE 30/06/09	TITLE NC 3P FP 2M COUPLER 24AWG PVC			
		ANGULAR ±1/2°		CHECKED BY BWOODMAN	DATE 30/06/09	MOLEX INCORPORATED			
		DRAFT WHERE APPLICABLE MUST REMAIN WITHIN DIMENSIONS		APPROVED BY JFMURPHY	DATE 30/06/09	MATERIAL NO. SEE CHART	DOCUMENT NO. SD-120086-102	SHEET NO. 2 OF 2	



Section Z-Z

FEMALE INSERT FRONT VIEW		
3 POLE	4 POLE	5 POLE
1 BROWN 3 BLUE 4 BLACK	1 BROWN 2 WHITE 3 BLUE 4 BLACK	1 BROWN 2 WHITE 3 BLUE 4 BLACK 5 GREY

ENTER DESCRIPTION EC NO: MNA2009-0804 DRAWN BY: DRWINAKUMAR01 2009/06/30 CHKD: JFMURPHY APPR: JFMURPHY 2009/07/08 REV: A	DESCRIPTION QUALITY SYMBOLS ▽=0 ▽=0
---	--

GENERAL TOLERANCES (UNLESS SPECIFIED)	
mm	INCH
4 PLACES ± ---	± ---
3 PLACES ± ---	± ---
2 PLACES ± ---	± ---
1 PLACE ± ---	± ---
ANGULAR ±1/2°	
DRAFT WHERE APPLICABLE MUST REMAIN WITHIN DIMENSIONS	

DIMENSION STYLE	
IN/MM	
DRAWN BY	DATE
NKUMAR01	30/06/09
CHECKED BY	DATE
BWOODMAN	30/06/09
APPROVED BY	DATE
JFMURPHY	30/06/09
MATERIAL NO.	
SEE SHEET 2	

SCALE 5:1	DESIGN UNITS INCH	THIRD ANGLE PROJECTION
TITLE NC 3P FP 2M COUPLER 24AWG PVC		
MOLEX INCORPORATED		SHEET NO. 1 OF 2
DOCUMENT NO. SD-120086-102		
THIS DRAWING CONTAINS INFORMATION THAT IS PROPRIETARY TO MOLEX INCORPORATED AND SHOULD NOT BE USED WITHOUT WRITTEN PERMISSION		

				ASSEMBLY		
				3 POLE	4 POLE	5 POLE
SL.No	DESCRIPTION	MATERIAL	FINISH	QTY		
1	CONTACT SOCKET	COPPER ALLOY	GOLD PLATED	3	4	5
2	O-RING	VITON	RED	1	1	1
3	COUPLING NUT	BRASS	NICKEL PLATED			
4	LABEL	PLASTIC FILM	BLACK/YELLOW			
5	OVER MOLD	TPE	YELLOW			
6	CABLE, 24 AWG, 3 CONDUCTOR	PVC JACKET	YELLOW	1		
	CABLE, 24 AWG, 4 CONDUCTOR	PVC JACKET	YELLOW		1	
	CABLE, 24 AWG, 5 CONDUCTOR	PVC JACKET	YELLOW			1
7	INSERT FEMALE 3 POLE	PUR	BLACK	1		
	INSERT FEMALE 4 POLE	PUR	BLACK		1	
	INSERT FEMALE 5 POLE	PUR	BLACK			1

PART NUMBER	DESCRIPTION	FINISHED LENGTH
1200860102	403000A10M020	2M +90MM -0 [6' 6" +3.5" -0]
1200860106	403000A10M040	4M +150MM -0 [13' 1" +6" -0]
1200860107	403000A10M050	5M +150MM -0 [16' 4" +6" -0]
1200860108	403000A10M060	6M +150MM -0 [19' 7" +6" -0]
1200860111	403000A10M100	10M +300MM -0 [32' 4" +12" -0]
1200860144	404000A10M020	2M +90MM -0 [6' 6" +3.5" -0]
1200860146	404000A10M040	4M +150MM -0 [13' 1" +6" -0]
1200860147	404000A10M050	5M +150MM -0 [16' 4" +6" -0]
1200860148	404000A10M060	6M +150MM -0 [19' 7" +6" -0]
1200860155	404000A10M100	10M +300MM -0 [32' 4" +12" -0]
1200860191	405000A10M020	2M +90MM -0 [6' 6" +3.5" -0]
1200860192	405000A10M040	4M +150MM -0 [13' 1" +6" -0]
1200860193	405000A10M050	5M +150MM -0 [16' 4" +6" -0]
1200860578	405000A10M060	6M +150MM -0 [19' 7" +6" -0]
1200860194	405000A10M100	10M +300MM -0 [32' 4" +12" -0]

<b>ENTER DESCRIPTION</b> EC NO: MNA2009-0804 DRWN: NKUMAR01 2009/06/30 CHKD: APPR: JFMURPHY 2009/07/09 REV: A	QUALITY SYMBOLS =0 =0	GENERAL TOLERANCES (UNLESS SPECIFIED)		DIMENSION STYLE IN/MM	SCALE 5:1	DESIGN UNITS INCH	THIRD ANGLE PROJECTION		
		4 PLACES ± --- ± --- 3 PLACES ± --- ± --- 2 PLACES ± --- ± --- 1 PLACE ± --- ± ---	mm INCH ± --- ± --- ± --- ± --- ± --- ± --- ± --- ± ---	DRAWN BY NKUMAR01	DATE 30/06/09	TITLE NC 3P FP 2M COUPLER 24AWG PVC			
		ANGULAR ±1/2°		CHECKED BY BWOODMAN	DATE 30/06/09	MOLEX INCORPORATED			
		DRAFT WHERE APPLICABLE MUST REMAIN WITHIN DIMENSIONS		APPROVED BY JFMURPHY	DATE 30/06/09	MATERIAL NO. SEE CHART	DOCUMENT NO. SD-120086-102	SHEET NO. 2 OF 2	

THIS DRAWING CONTAINS INFORMATION THAT IS PROPRIETARY TO MOLEX INCORPORATED AND SHOULD NOT BE USED WITHOUT WRITTEN PERMISSION