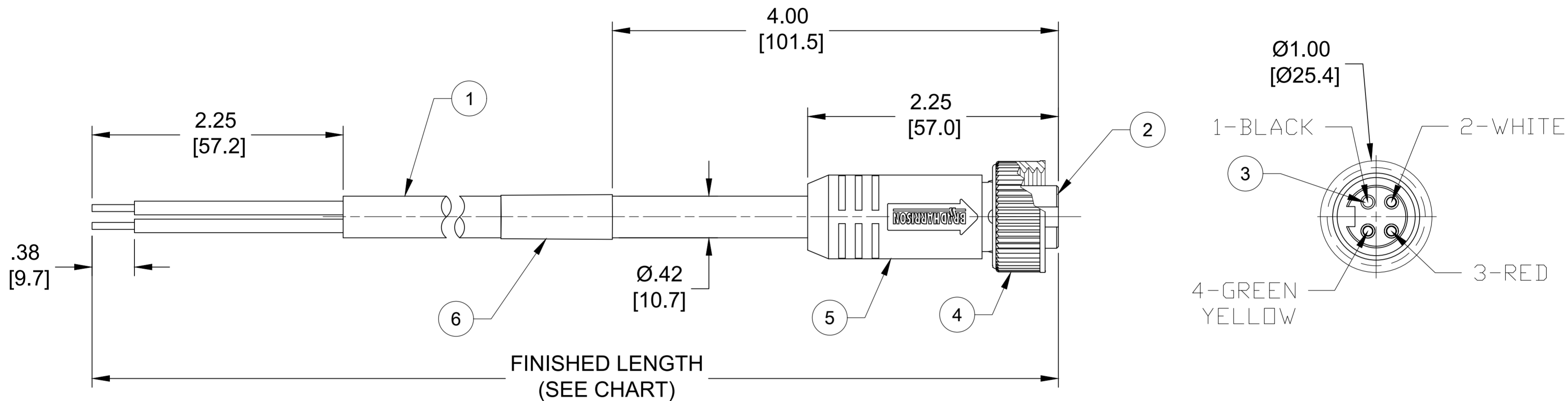


| PART NO. | ENGINEERING NO. | FINISHED LENGTH |
|------------|-----------------|-----------------|
| 1300060725 | 104000A01F030 | 3.0FT [9.1M] |
| 1300060728 | 104000A01F060 | 6.0FT [1.8M] |
| 1300060744 | 104000A01F200 | 20.0FT [6.1M] |
| 1300060784 | 104000A01M100 | 10M [32FT 10IN] |

REF. THIS DRAWING SUPERSEDES SD-130006-010 REV-B (A)

PART NUMBER LEGEND

104000A01F030
 POLE COUNT → FINISHED LENGTH:
 F010= 1.0 FEET
 F100= 10.0 FEET
 M005= 0.5 METER
 M010= 1.0 METER
 M100= 10. METER



- NOTES:**
- MATERIAL: AS NOTED
 - FINISH: AS NOTED
 - ELECTRICAL:
 VOLTAGE: 483V PER IEC60664
 600V PER UL2238
 CURRENT: 10A
 - TEMP RATING: -20°TO +80°C
 - PROTECTION: IP67 (WHEN MATED)
 - COUPLING THREAD: 7/8-16UN
 - UL RECOGNIZED FILE: E152210
 CSA CERTIFIED FILE: LR6837
 - ALL DIMS ARE FOR REFERENCE UNLESS TOLERANCED OR NOTED OTHERWISE

CABLE LENGTH TOLERANCES

| | |
|--------------------------|-------------------------|
| >.3M [1FT]: | +19mm-0 [+ .75in-0] |
| .3 - .9M [1 - 3FT]: | +44.5mm-0 [+1.75in-0] |
| .9 - 1.8M [3 - 6FT]: | +55.6mm-0 [+2.19in-0] |
| 1.8 - 3.7M [6 - 12FT]: | +88.9mm-0 [+3.50in-0] |
| 3.7 - 7.3M [12 - 24FT]: | +165.1mm-0 [+6.50in-0] |
| 7.3-14.6M [24 - 48FT]: | +317.5mm-0 [+12.50in-0] |
| 14.6 - 30.5M [48-100FT]: | +622.3mm-0 [+24.50in-0] |
| OVER 30M [100FT] | +2% OF FINISHED LENGTH |

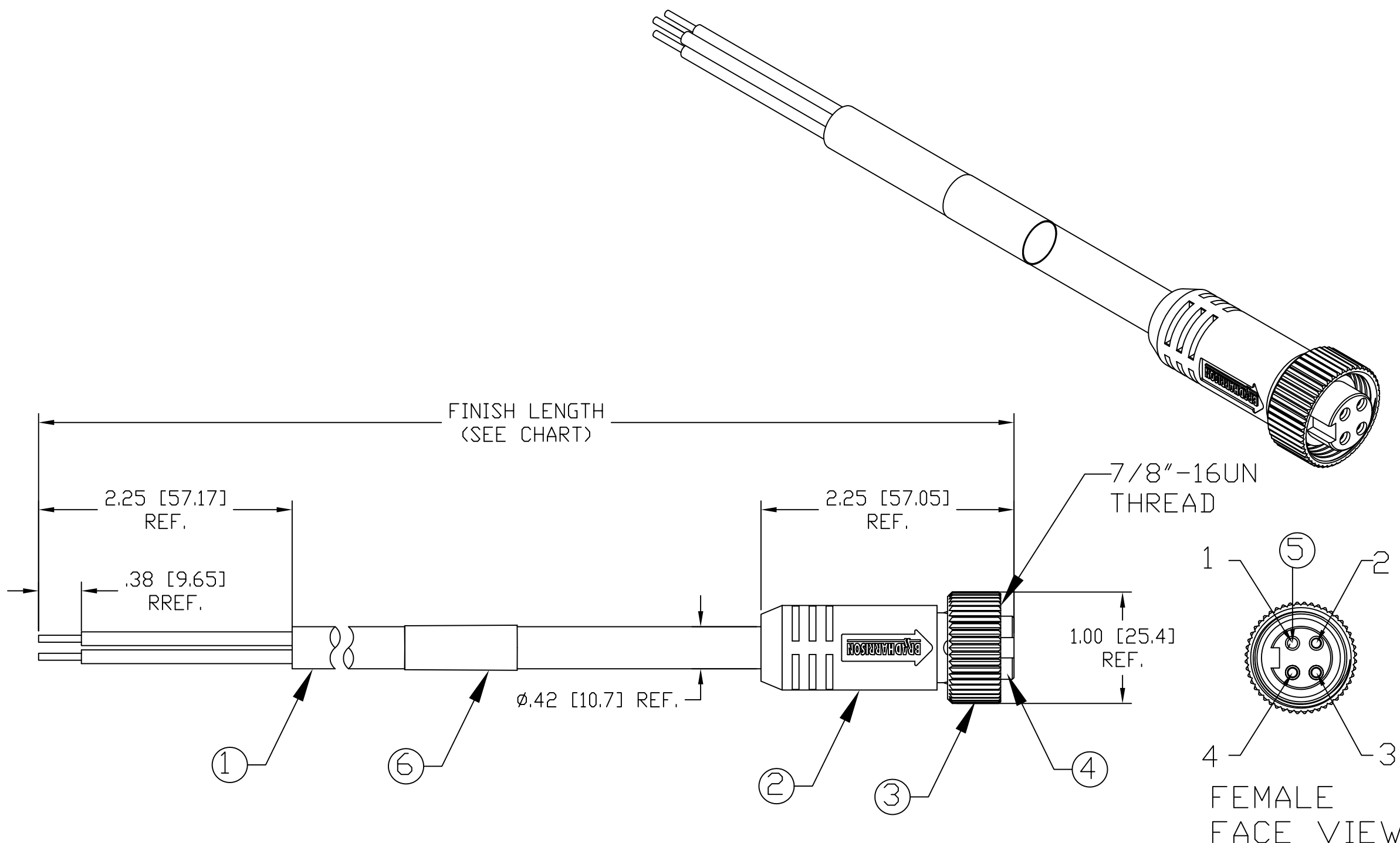
| ITEM | DESCRIPTION | MATERIAL | FINISH |
|------|------------------------|---------------|---------------|
| 6 | WRAP LABEL | VINYL | BLACK/YELLOW |
| 5 | OVERMOLD | TPE | YELLOW |
| 4 | COUPLING NUT, INT. THD | ZINC DIE-CAST | NICKEL PLATED |
| 3 | CONTACT SOCKET | COPPER ALLOY | GOLD PLATED |
| 2 | FEMALE INSERT | TPE | YELLOW |
| 1 | CABLE, 16/4, ST00W | PVC JACKET | YELLOW |

| SYMBOLS | | | | THIS DRAWING CONTAINS INFORMATION THAT IS PROPRIETARY TO MOLEX ELECTRONIC TECHNOLOGIES, LLC AND SHOULD NOT BE USED WITHOUT WRITTEN PERMISSION | | | | |
|---------|--|-------|--|---|--------|-----------------|----------|--------------|
| ▽ = 0 | DIMENSION UNITS | SCALE | CURRENT REV DESC: REDRAWN, WAS SD-130006-010 | | | | | |
| ▽ = 0 | INCH/MM | 1:1 | molex MINI CHANGE CABLE ASSY, 4P, FEMALE, STR 16AWG, ST00W, INTERNAL THREAD | | | | | |
| ▽ = 0 | GENERAL TOLERANCES (UNLESS SPECIFIED) | | | | | | | |
| ▽ = 0 | | mm | INCH | EC NO: 624117 | | | | |
| ▽ = 0 | 4 PLACES | ±---- | ±---- | DRWN: RSTONE 2019/09/11 | | | | |
| ▽ = 0 | 3 PLACES | ±---- | ±---- | CHK'D: MZIELINSKI 2019/09/19 | | | | |
| ▽ = 0 | 2 PLACES | ±---- | ±---- | APPR: BWOODMAN 2019/10/03 | | | | |
| ▽ = 0 | 1 PLACE | ±---- | ±---- | INITIAL REVISION: | | | | |
| ▽ = 0 | 0 PLACES | ±---- | ±---- | DRWN: RSTONE 2019/09/11 | | | | |
| ▽ = 0 | ANGULAR TOL ± ---- ° | | APPR: BWOODMAN 2019/10/03 | | | | | |
| ▽ = 0 | DRAFT WHERE APPLICABLE MUST REMAIN WITHIN DIMENSIONS | | THIRD ANGLE PROJECTION | DRAWING | SERIES | MATERIAL NUMBER | CUSTOMER | SHEET NUMBER |
| ▽ = 0 | | | | C-SIZE | 130006 | | | 1 OF 1 |

| 13 | 12 | 11 | 10 | 9 | 8 | 7 | 6 | 5 | 4 | 3 | 2 | 1 |
|-------------|--------------------|-------------------------------------|----|---|---|---|---|---|---|---|---|---|
| PART NUMBER | ENGINEERING NUMBER | FINISH LENGTH | | | | | | | | | | |
| 1300060725 | 104000A01F030 | 3.00' +1.75" -0 [0.9M +44.5 -0] | | | | | | | | | | |
| 1300060728 | 104000A01F060 | 6.00' +2.19" -0 [1.8M +55.6 -0] | | | | | | | | | | |
| 1300060737 | 104000A01F120 | 12.00' +3.50" -0 [3.7M +88.9 -0] | | | | | | | | | | |
| 1300060741 | 104000A01F150 | 15.00' +6.50" -0 [4.6M +165.1 -0] | | | | | | | | | | |
| 1300060744 | 104000A01F200 | 20.00' +6.50" -0 [6.1M +165.1 -0] | | | | | | | | | | |
| 1300060748 | 104000A01F250 | 25.00' +12.50" -0 [7.6M +317.5 -0] | | | | | | | | | | |
| 1300060751 | 104000A01F300 | 30.00' +12.50" -0 [9.11M +317.5 -0] | | | | | | | | | | |

NOTE

- 1) MATERIAL: SEE TABLE
- 2) FINISHES: SEE TABLE
- 3) WRAP LABEL IS MARKED WITH P/N, DATE CODE, VOLTAGE & AMPERAGE
- 4) MATES WITH: MINI CHANGE, 4 POLE RECEPTACLE
- 5) ELECTRICAL DATA:
 INLINE CORDSET
 FEMALE A-SIZE WITH FLYING LEADS
 16AWG UNSHIELDED
 POLES: 4
 MAX. VOLTAGE: 600V
 MAX. CURRENT 10A
 PROTECTION IP67
 TEMPERATURE RANGE: -20°C TO 105°C
- 6) PACKAGING:
 CABLE ASSEMBLIES ARE BAGGED SEPERATELY
 IN POLY BAGS WITH BAR CODE LABEL ATTACHED
 TO OUTSIDE OF BAG.
- 7) ASSEMBLY IS RoHS COMPLIANT.
- 8) CERTIFICATION
 UL RECOGNIZED, FILE NO. E152210
 CSA CERTIFIED, FILE NO. LR6837



P1

| | |
|---|------------------|
| 1 | BLACK |
| 2 | WHITE |
| 3 | RED |
| 4 | GREEN/YELLOW-GND |

WIRING DIAGRAM

| ITEM | QTY. | DESCRIPTION | MATERIAL | FINISH |
|------|------|---------------------------|---------------|----------------|
| 6 | 1 | LABEL | PLASTIC FILM | BLACK/YELLOW |
| 5 | 4 | CONTACT SOCKET | COPPER ALLOY | GOLD PLATED |
| 4 | 1 | INSERT | PVC | YELLOW |
| 3 | 1 | COUPLING NUT | ZINC DIE CAST | BLACK E-COATED |
| 2 | 1 | OVERMOLD | PVC | YELLOW |
| 1 | 1 | CABLE, 16AWG-4 TYPE ST00W | PVC | YELLOW |

| RELEASE EC NO: WNA2010-0397 DRWN: BWOODMAN 12/22/09 CH'KD: --- APPR: JFMURPHY 2010/01/05 | DESCRIPTION REV | QUALITY SYMBOL ▽=0 ◻=0 | GENERAL TOLERANCES (UNLESS SPECIFIED) <table border="1"> <thead> <tr> <th></th> <th>mm</th> <th>INCH</th> </tr> </thead> <tbody> <tr> <td>4 PLACES</td> <td>±---</td> <td>±---</td> </tr> <tr> <td>3 PLACES</td> <td>±.005</td> <td>±.005</td> </tr> <tr> <td>2 PLACES</td> <td>±.013</td> <td>±.010</td> </tr> <tr> <td>1 PLACE</td> <td>±.025</td> <td>±.020</td> </tr> </tbody> </table> | | mm | INCH | 4 PLACES | ±--- | ±--- | 3 PLACES | ±.005 | ±.005 | 2 PLACES | ±.013 | ±.010 | 1 PLACE | ±.025 | ±.020 | DIMENSION STYLE IN/MM DRAWN BY: TWOLDEGE DATE: 2009/07/10 CHECKED BY: BWOODMAN DATE: 2009/07/10 APPROVED BY: JFMURPHY DATE: 2010/01/05 | SCALE: 1:1 DESIGN UNITS: INCH THIRD ANGLE PROJECTION |
|---|--------------------|-------------------------------------|---|--|----|------|----------|------|------|----------|-------|-------|----------|-------|-------|---------|-------|-------|--|--|
| | | | mm | INCH | | | | | | | | | | | | | | | | |
| | | 4 PLACES | ±--- | ±--- | | | | | | | | | | | | | | | | |
| | | 3 PLACES | ±.005 | ±.005 | | | | | | | | | | | | | | | | |
| 2 PLACES | ±.013 | ±.010 | | | | | | | | | | | | | | | | | | |
| 1 PLACE | ±.025 | ±.020 | | | | | | | | | | | | | | | | | | |
| DRAFT WHERE APPLICABLE MUST REMAIN WITHIN DIMENSIONS | | | MATERIAL NO.: SEE CHART SIZE: C | TITLE: MINI CHANGE ASSEMBLY 4-POLE FEMALE ST 16/4AWG PVC MOLEX INCORPORATED DOCUMENT NO.: SD-130006-010 SHEET NO.: 1 OF 1 | | | | | | | | | | | | | | | | |
| THIS DRAWING CONTAINS INFORMATION THAT IS PROPRIETARY TO MOLEX INCORPORATED AND SHOULD NOT BE USED WITHOUT WRITTEN PERMISSION | | | | | | | | | | | | | | | | | | | | |