

6

5

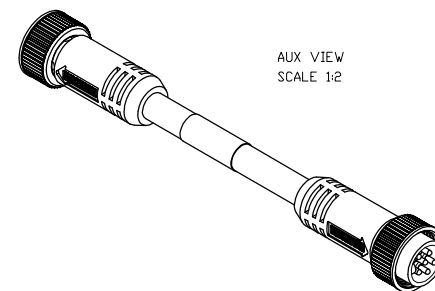
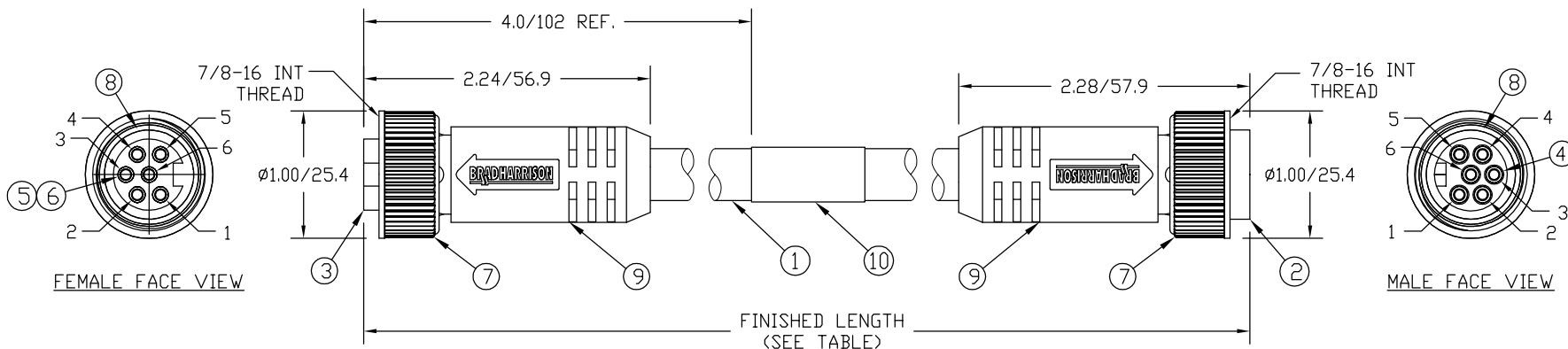
4

3

2

1

MATERIAL NUMBER	ENGINEERING NUMBER	FINISHED LENGTH
130010-1312	116020A01F030	3.00' +1.75' -0 [0.9M +44.5mm -0]
130010-1316	116020A01F060	6.00' +2.19' -0 [1.8M +55.6mm -0]
130010-1327	116020A01F120	12.00' +3.50' -0 [3.7M +88.9mm -0]
130010-1338	116020A01F200	20.00' +6.50' -0 [6.1M +165.1mm -0]

AUX VIEW  
SCALE 1:2

## NOTES:

- 1) MATERIALS: SEE TABLE
- 2) FINISHES: SEE TABLE
- 3) CABLE: #16/5 ST00W/ST PVC
- 4) ELECTRICAL DATA:  
MAX. VOLTAGE: 600 VAC/VDC  
MAX. CURRENT 8 AMPS
- 5) ENVIRONMENTAL:  
PROTECTION IP67  
TEMPERATURE RANGE: -20°C TO 105°C
- 6) WRAP LABEL IS MARKED WITH P/N, DATE CODE,  
VOLTAGE & AMPERAGE.
- 7) ASSEMBLY IS RoHS COMPLIANT.

S1		P1
1	WHITE	1
2	RED	2
3	GREEN/YELLOW - GND	3
4	ORANGE	4
5	BLACK	5
6	BLUE	6

WIRING DIAGRAM

ITEM	QTY.	DESCRIPTION	MATERIAL	FINISH
10	1	LABEL	MYLAR	BLACK/YELLOW
9	2	OVERMOLD	PVC	YELLOW
8	2	FRICTION RING	NYLON	WHITE
7	2	COUPLING NUT	ZINC DIECAST	BLACK E-COAT
6	6	SOCKET SLEEVE	STAINLESS STEEL	
5	6	CONTACT SOCKET	BRASS	GOLD OVER NICKEL
4	6	CONTACT PIN	BRASS	GOLD OVER NICKEL
3	1	FEMALE INSERT, 6 POLE	PVC	YELLOW
2	1	MALE INSERT, 6 POLE	PVC	YELLOW
1	1	CABLE, ST00W/ST #16/6	PVC JACKET	YELLOW

<b>RELEASED DRAWING</b> EC NO: WNA2009-0846 DRWN: LHARTMAN 8/10/09 CHKD: BWOODMAN09/08/11 APPR: JFMURPHY 2009/08/14	QUALITY SYMBOLS $\nabla = 0$ $\nabla C = 0$	GENERAL TOLERANCES (UNLESS SPECIFIED)		DIMENSION STYLE	SCALE	DESIGN UNITS	THIRD ANGLE PROJECTION	
				IN/MM	1:1	INCH		
		4 PLACES	mm	INCH	DRAWN BY	DATE		TITLE
		3 PLACES	±----	±----	LHARTMAN	2009/08/10		MINI-CHANGE CORDSET 6P MALE/FEMALE ST/ST #16/6 YELLOW ST00W/ST
2 PLACES	±----	±0.1	BWOODMAN	2009/08/11				
1 PLACE	±0.3	±----						
ANGULAR ±----		°			MOLEX INCORPORATED			
<b>DRAFT WHERE APPLICABLE MUST REMAIN WITHIN DIMENSIONS</b>		MATERIAL NO.		DOCUMENT NO.		SHEET NO.		
		SEE TABLE		SD-130010-007		1 OF 1		
A		SIZE		THIS DRAWING CONTAINS INFORMATION THAT IS PROPRIETARY TO MOLEX INCORPORATED AND SHOULD NOT BE USED WITHOUT WRITTEN PERMISSION				

6

5

4

3

2

1

6

5

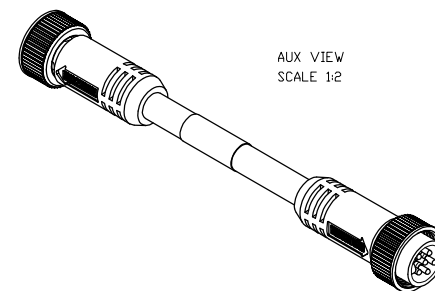
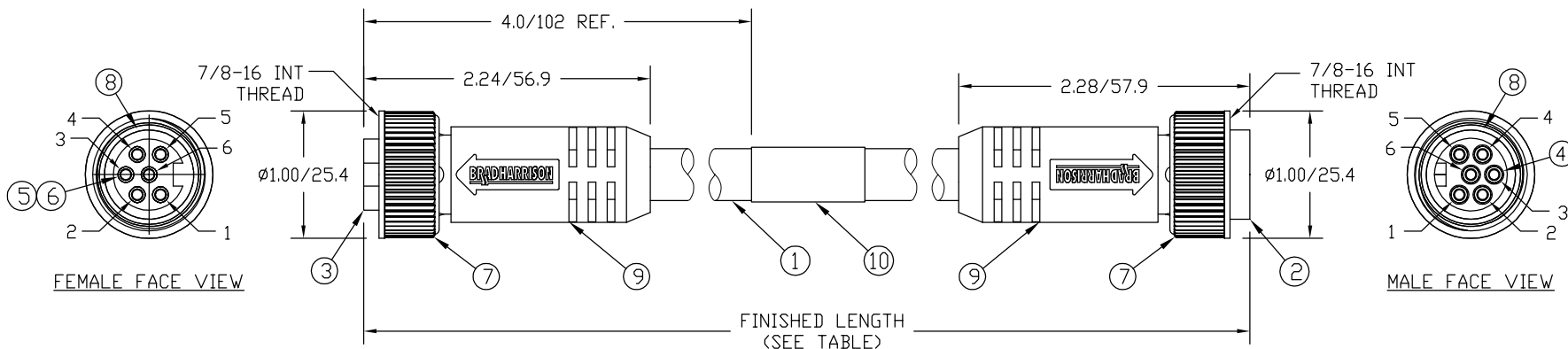
4

3

2

1

MATERIAL NUMBER	ENGINEERING NUMBER	FINISHED LENGTH
130010-1312	116020A01F030	3.00' +1.75' -0 [0.9M +44.5mm -0]
130010-1316	116020A01F060	6.00' +2.19' -0 [1.8M +55.6mm -0]
130010-1327	116020A01F120	12.00' +3.50' -0 [3.7M +88.9mm -0]
130010-1338	116020A01F200	20.00' +6.50' -0 [6.1M +165.1mm -0]

AUX VIEW  
SCALE 1:2

## NOTES:

- 1) MATERIALS: SEE TABLE
- 2) FINISHES: SEE TABLE
- 3) CABLE: #16/5 ST00W/ST PVC
- 4) ELECTRICAL DATA:  
MAX. VOLTAGE: 600 VAC/VDC  
MAX. CURRENT 8 AMPS
- 5) ENVIRONMENTAL:  
PROTECTION IP67  
TEMPERATURE RANGE: -20°C TO 105°C
- 6) WRAP LABEL IS MARKED WITH P/N, DATE CODE,  
VOLTAGE & AMPERAGE.
- 7) ASSEMBLY IS RoHS COMPLIANT.

S1		P1
1	WHITE	1
2	RED	2
3	GREEN/YELLOW - GND	3
4	ORANGE	4
5	BLACK	5
6	BLUE	6

WIRING DIAGRAM

ITEM	QTY.	DESCRIPTION	MATERIAL	FINISH
10	1	LABEL	MYLAR	BLACK/YELLOW
9	2	OVERMOLD	PVC	YELLOW
8	2	FRICTION RING	NYLON	WHITE
7	2	COUPLING NUT	ZINC DIECAST	BLACK E-COAT
6	6	SOCKET SLEEVE	STAINLESS STEEL	
5	6	CONTACT SOCKET	BRASS	GOLD OVER NICKEL
4	6	CONTACT PIN	BRASS	GOLD OVER NICKEL
3	1	FEMALE INSERT, 6 POLE	PVC	YELLOW
2	1	MALE INSERT, 6 POLE	PVC	YELLOW
1	1	CABLE, ST00W/ST #16/6	PVC JACKET	YELLOW

<b>RELEASED DRAWING</b> EC NO: WNA2009-0846 DRWN: LHARTMAN 8/10/09 CHKD: BWOODMAN09/08/11 APPR: JFMURPHY 2009/08/14	QUALITY SYMBOLS $\nabla = 0$ $\nabla C = 0$	GENERAL TOLERANCES (UNLESS SPECIFIED)		DIMENSION STYLE	SCALE	DESIGN UNITS	THIRD ANGLE PROJECTION	
				IN/MM	1:1	INCH		
		4 PLACES	mm	INCH	DRAWN BY	DATE		TITLE
		3 PLACES	±----	±----	LHARTMAN	2009/08/10		MINI-CHANGE CORDSET 6P MALE/FEMALE ST/ST #16/6 YELLOW ST00W/ST
2 PLACES	±----	±0.1	BWOODMAN	2009/08/11				
1 PLACE	±0.3	±----	APPROVED BY	DATE				
ANGULAR ±----		°	MATERIAL NO.		DOCUMENT NO.		SHEET NO.	
DRAFT WHERE APPLICABLE MUST REMAIN WITHIN DIMENSIONS		SEE TABLE		SD-130010-007		1 OF 1		
THIS DRAWING CONTAINS INFORMATION THAT IS PROPRIETARY TO MOLEX INCORPORATED AND SHOULD NOT BE USED WITHOUT WRITTEN PERMISSION								

6

5

4

3

2

1