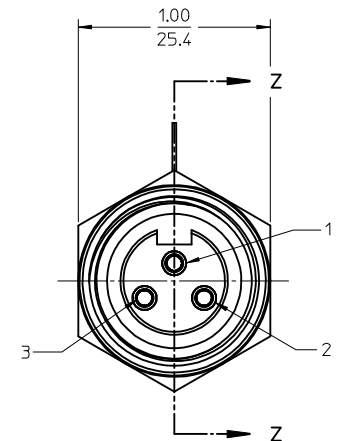
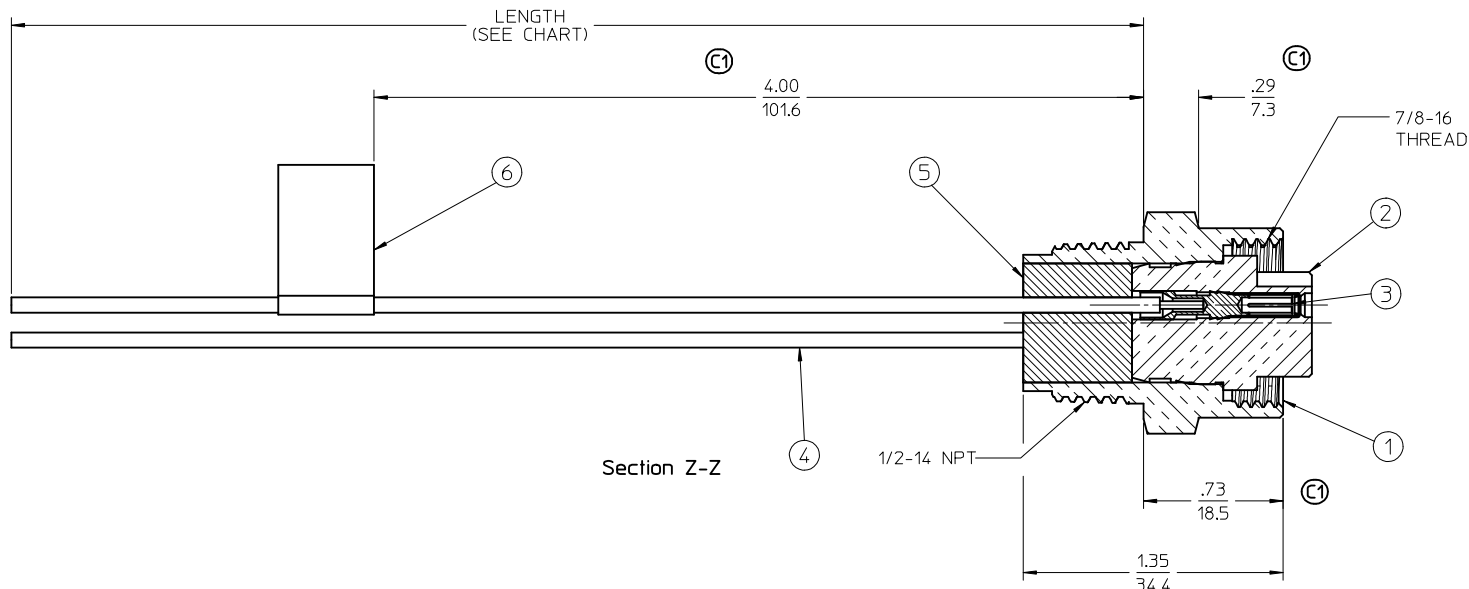
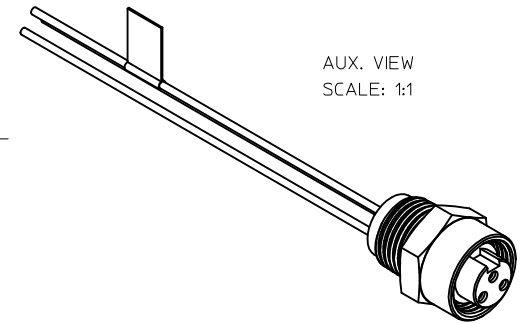
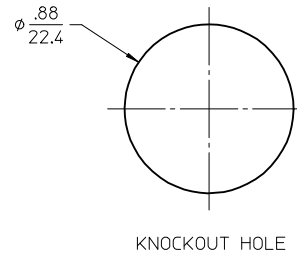


| MATERIAL NO. | ENGINEERING NO. | LENGTH |
|--------------|-----------------|--------|
| 1300130110 | 1R3000A20M005 | 0.5M |
| 1300130111 | 1R3000A20M010 | 1.0M |
| 1300130112 | 1R3000A20M020 | 2.0M |

Ⓢ PART NO. LEGEND
1R3000A20M005

WIRE TYPE: 16 AWG PVC
FINISHED LENGTH
M005= 0.5 METER
M010= 1 METER
M100= 10 METERS



- NOTES:
- MATERIAL: AS NOTED
 - FINISHES: AS NOTED
 - ELECTRICAL SPECIFICATIONS
VOLTAGE RATING: 500V PER IEC60664 Ⓢ
600V PER UL2237
CURRENT RATING: 13 AMPS
 - PROTECTION: IP67 (WHEN MATED)
 - TEMP RANGE: -20°C TO +105°C
 - AGENCY LISTING: UL LISTED, FILE NO: E258922
 - DIMS SHOWN ARE FOR REFERENCE UNLESS NOTED OTHERWISE

| COLOR | NUMBER |
|--------------|--------|
| GREEN/YELLOW | 1 |
| BLACK | 2 |
| WHITE | 3 |

WIRE DIAGRAM

Ⓢ

| CABLE LENGTH TOLERANCES |
|--|
| >.3M [1FT]: +19mm-0 [+75in-0] |
| .3 - .9M [1 - 3FT]: +44.5mm-0 [+1.75in-0] |
| .9 - 1.8M [3 - 6FT]: +55.6mm-0 [+2.19in-0] |
| 1.8 - 3.7M [6 - 12FT]: +88.9mm-0 [+3.50in-0] |
| 3.7 - 7.3M [12 - 24FT]: +165.1mm-0 [+6.50in-0] |
| 7.3-14.6M [24 - 48FT]: +317.5mm-0 [+12.50in-0] |
| 14.6 - 30.5M [48-100FT]: +622.3mm-0 [+24.50in-0] |
| OVER 30M [100FT] +2% OF FINISHED LENGTH |

| ITEM | DESCRIPTION | MATERIAL | FINISH |
|------|-------------------------------|--------------------|------------------|
| 6 | LABEL | VINYL | BLACK/YELLOW |
| 5 | POTTING MATERIAL | EPOXY | |
| 4 | WIRE, 16 AWG | PVC INSULATION | SEE WIRE DIAGRAM |
| 3 | CONTACT SOCKET & SLEEVE ASSY. | Cu ALLOY/ST. STEEL | GOLD PLATED |
| 2 | INSERT | PVC | YELLOW |
| 1 | RECEPTACLE SHELL | ZINC DIECAST | NICKEL PLATED |

| | |
|---|-----------------|
| IEC VOLTS WAS 400, WAS 6.0 ADD TEMP RANGE: UL FILE EC NO: IFC2017-0940 DRAWN BY: DRWINRSTONE 2017/04/04 CHKD: APPR: BWOODMAN 2017/06/06 | QUALITY SYMBOLS |
| | ▼=0 ▽=0 |

| GENERAL TOLERANCES (UNLESS SPECIFIED) | DIMENSION STYLE | |
|--|-----------------|------|
| | mm | INCH |
| 4 PLACES ± --- | ± --- | |
| 3 PLACES ± --- | ± .005 | |
| 2 PLACES ± 0.13 | ± .01 | |
| 1 PLACE ± 0.3 | ± .020 | |
| ANGULAR ±1/2° | | |
| DRAFT WHERE APPLICABLE MUST REMAIN WITHIN DIMENSIONS | | |

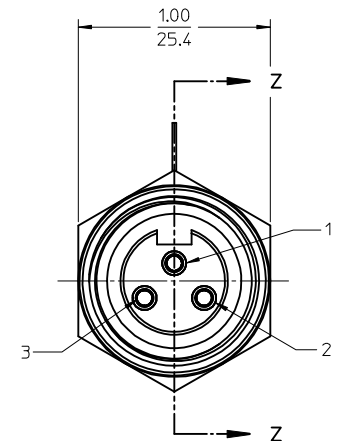
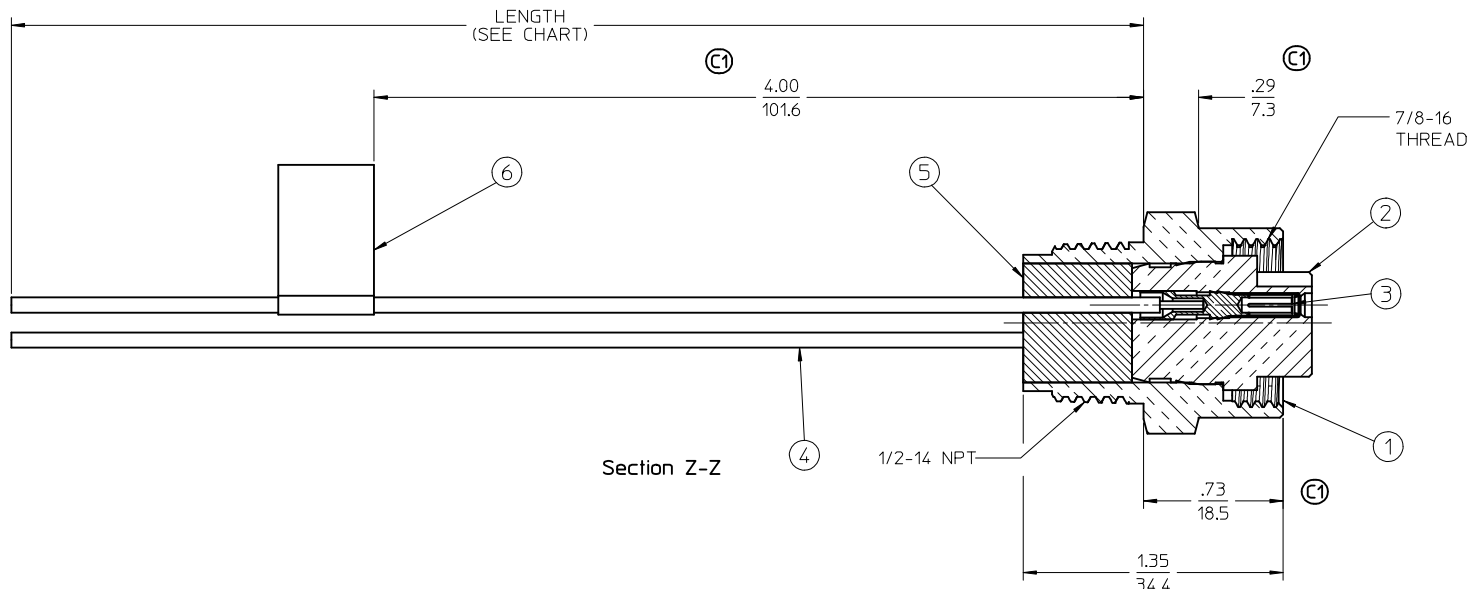
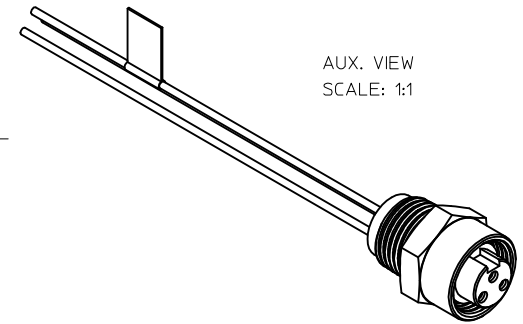
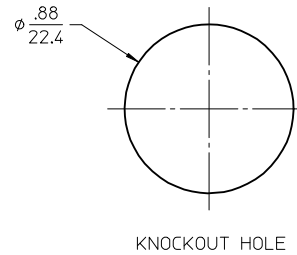
| DRAWN BY | | DATE | |
|--------------|--|------------|--|
| R.STONE | | 2009/08/25 | |
| CHECKED BY | | DATE | |
| B.WOODMAN | | 2009/08/27 | |
| APPROVED BY | | DATE | |
| JFMURPHY | | 2009/08/26 | |
| MATERIAL NO. | | - | |

| SCALE | DESIGN UNITS | THIRD ANGLE PROJECTION |
|---|--------------|------------------------|
| 2:1 | INCH | Ⓢ |
| MINI-CHANGE, RECEPTACLE 3P, FEMALE, 16 AWG | | |
| MOLEX INCORPORATED | | |
| DOCUMENT NO. | SHEET NO. | |
| SD-130013-085 | 1 OF 1 | |
| THIS DRAWING CONTAINS INFORMATION THAT IS PROPRIETARY TO MOLEX INCORPORATED AND SHOULD NOT BE USED WITHOUT WRITTEN PERMISSION | | |

| MATERIAL NO. | ENGINEERING NO. | LENGTH |
|--------------|-----------------|--------|
| 1300130110 | 1R3000A20M005 | 0.5M |
| 1300130111 | 1R3000A20M010 | 1.0M |
| 1300130112 | 1R3000A20M020 | 2.0M |

Ⓢ PART NO. LEGEND
1R3000A20M005

WIRE TYPE: 16 AWG PVC
FINISHED LENGTH
M005= 0.5 METER
M010= 1 METER
M100= 10 METERS



- NOTES:
- MATERIAL: AS NOTED
 - FINISHES: AS NOTED
 - ELECTRICAL SPECIFICATIONS
VOLTAGE RATING: 500V PER IEC60664 Ⓢ
600V PER UL2237
CURRENT RATING: 13 AMPS
 - PROTECTION: IP67 (WHEN MATED)
 - TEMP RANGE: -20°C TO +105°C
 - AGENCY LISTING: UL LISTED, FILE NO: E258922
 - DIMS SHOWN ARE FOR REFERENCE UNLESS NOTED OTHERWISE

| COLOR | NUMBER |
|--------------|--------|
| GREEN/YELLOW | 1 |
| BLACK | 2 |
| WHITE | 3 |

WIRE DIAGRAM

Ⓢ

| CABLE LENGTH TOLERANCES | |
|--------------------------|-------------------------|
| >.3M [1FT]: | +19mm-0 [+0.75in-0] |
| .3 - .9M [1 - 3FT]: | +44.5mm-0 [+1.75in-0] |
| .9 - 1.8M [3 - 6FT]: | +55.6mm-0 [+2.19in-0] |
| 1.8 - 3.7M [6 - 12FT]: | +88.9mm-0 [+3.50in-0] |
| 3.7 - 7.3M [12 - 24FT]: | +165.1mm-0 [+6.50in-0] |
| 7.3-14.6M [24 - 48FT]: | +317.5mm-0 [+12.50in-0] |
| 14.6 - 30.5M [48-100FT]: | +622.3mm-0 [+24.50in-0] |
| OVER 30M [100FT] | +2% OF FINISHED LENGTH |

| ITEM | DESCRIPTION | MATERIAL | FINISH |
|------|-------------------------------|--------------------|------------------|
| 6 | LABEL | VINYL | BLACK/YELLOW |
| 5 | POTTING MATERIAL | EPOXY | |
| 4 | WIRE, 16 AWG | PVC INSULATION | SEE WIRE DIAGRAM |
| 3 | CONTACT SOCKET & SLEEVE ASSY. | Cu ALLOY/ST. STEEL | GOLD PLATED |
| 2 | INSERT | PVC | YELLOW |
| 1 | RECEPTACLE SHELL | ZINC DIECAST | NICKEL PLATED |

| | |
|---|-----------------|
| IEC VOLTS WAS 400, WAS 6.0 ADD TEMP RANGE: UL FILE EC NO: IFC2017-0940 DRAWN BY: DRWINRSTONE 2017/04/04 CHKD: APPR: BWOODMAN 2017/06/06 | QUALITY SYMBOLS |
| | ▼=0 ▽=0 |

| GENERAL TOLERANCES (UNLESS SPECIFIED) | |
|--|---------|
| | mm INCH |
| 4 PLACES ± | ± .005 |
| 3 PLACES ± | ± .005 |
| 2 PLACES ± | ± .01 |
| 1 PLACE ± | ± .020 |
| ANGULAR ±1/2° | |
| DRAFT WHERE APPLICABLE MUST REMAIN WITHIN DIMENSIONS | |

| DIMENSION STYLE | |
|-----------------|------------|
| IN/MM | |
| DRAWN BY | DATE |
| R.STONE | 2009/08/25 |
| CHECKED BY | DATE |
| B. WOODMAN | 2009/08/27 |
| APPROVED BY | DATE |
| JFMURPHY | 2009/08/26 |
| MATERIAL NO. | |
| - | |

| SCALE | DESIGN UNITS | THIRD ANGLE PROJECTION |
|---|--------------|------------------------|
| 2:1 | INCH | Ⓢ |
| TITLE | | |
| MINI-CHANGE, RECEPTACLE 3P, FEMALE, 16 AWG | | |
| MOLEX INCORPORATED | | |
| DOCUMENT NO. | SHEET NO. | |
| SD-130013-085 | 1 OF 1 | |
| THIS DRAWING CONTAINS INFORMATION THAT IS PROPRIETARY TO MOLEX INCORPORATED AND SHOULD NOT BE USED WITHOUT WRITTEN PERMISSION | | |