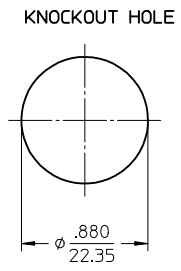
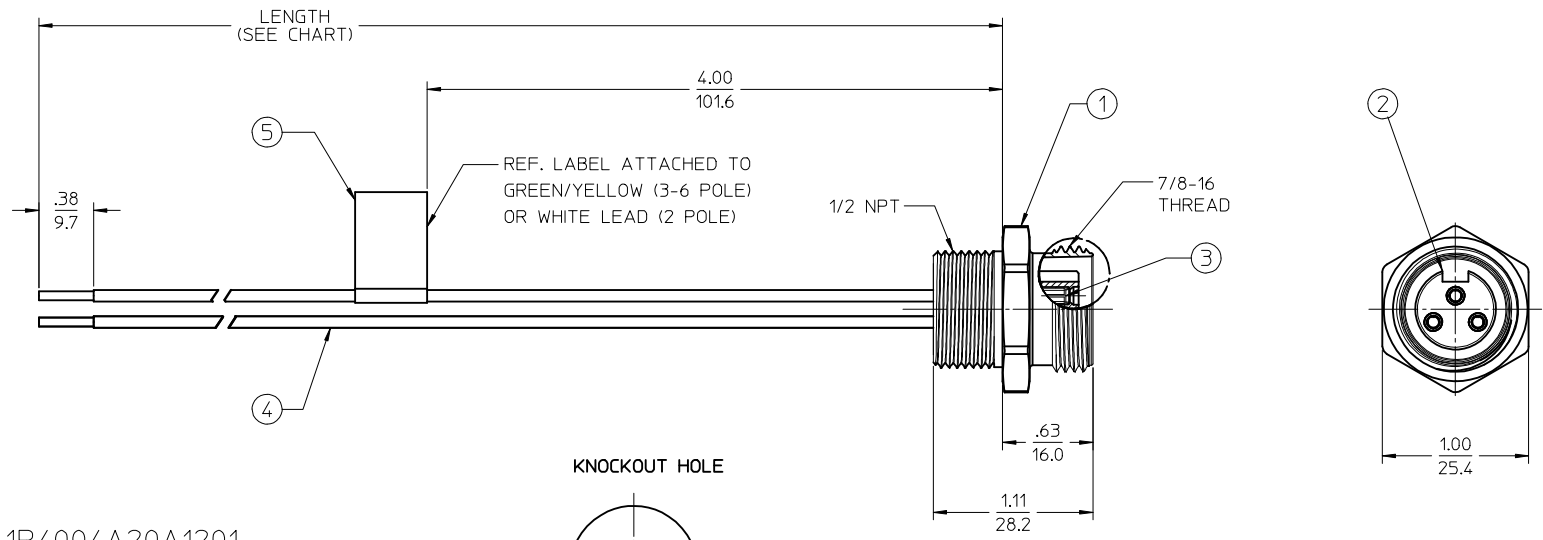
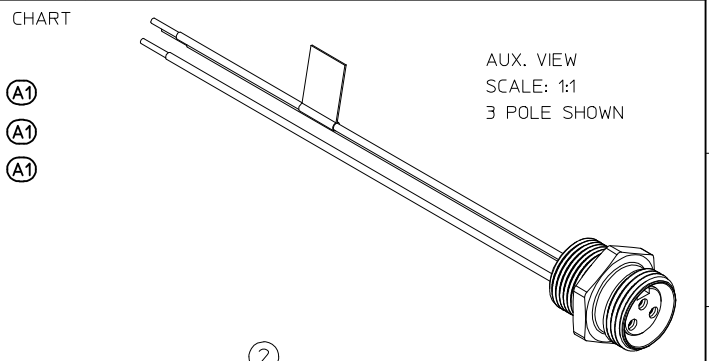


MATERIAL NO.	ENGINEERING NO.	LENGTH	POLES	ELECTRICAL SPECS
1300130149	1R3004A20F0601	6 FT +2.19 -0 (1.83M +55.6 -0)	3	400V PER IEC 60664, 600V PER UL 2238, 13 AMPS
1300130315	1R4004A20A1201	12.00 IN +.75 -0 (304.8mm +19.1 -0)	4	320V PER IEC 60664, 600V PER UL 2238, 10 AMPS
1300130443	1R5004A20A1201	12.00 IN +.75 -0 (304.8mm +19.1 -0)	5	320V PER IEC 60664, 600V PER UL 2238, 8 AMPS
1300130567	1R6004A20A1201	12.00 IN +.75 -0 (304.8mm +19.1 -0)	6	320V PER IEC 60664, 600V PER UL 2238, 8 AMPS



(A1) 1R4004A20A1201
 WIRE TYPE: 16 AWG PVC FINISHED LENGTH
 A120= 12 INCHES
 F060= 6 FT

- NOTES:
 1. MATERIAL: SEE TABLE
 2. FINISHES: SEE TABLE
 3. MATES WITH: MINI CHANGE CABLE
 4. ELECTRICAL SPECIFICATIONS: SEE CHART
 5. ASSEMBLY IS RoHS COMPLIANT
 6. ALL DIMS ARE FOR REFERENCE UNLESS
 (A1) NOTED OTHERWISE

FACE VIEW-FEMALE INSERT				
1 WHITE 2 BLACK	1 GREEN/YELLOW 2 BLACK 3 WHITE	1 BLACK 2 WHITE 3 RED 4 GREEN/YELLOW	1 WHITE 2 RED 3 GREEN/YELLOW 4 ORANGE 5 BLACK	1 WHITE 2 RED 3 GREEN/YELLOW 4 ORANGE 5 BLACK 6 BLUE

ITEM	QTY.	DESCRIPTION	MATERIAL	FINISH
5	1	LABEL	VINYL	BLACK/YELLOW
4	A/R	WIRE, 16 AWG, UL1015	PVC INSULATION	SEE FACE VIEWS
3	A/R	CONTACT SOCKET	Cu ALLOY	GOLD PLATED
2	1	INSERT	PVC	YELLOW
1	1	RECEPTACLE SHELL	ST. STEEL	PASSIVATED

WAS 12 FT. ADD 6P. NOTE 6
 EC NO: JFG2017-0822
 2017/02/28
 DRWR:RSTONE
 CHKD:K COX
 2017/03/06
 APPR:BMWOODMAN
 2017/03/08

QUALITY SYMBOLS
 ▽=0
 ▽=0

GENERAL TOLERANCES (UNLESS SPECIFIED)

	mm	INCH
4 PLACES ±	---	±---
3 PLACES ±	---	±---
2 PLACES ±	---	±---
1 PLACE ±	---	±---
0 PLACE ±	---	±---

 ANGULAR ± .5 °

DRAFT WHERE APPLICABLE MUST REMAIN WITHIN DIMENSIONS

DIMENSION STYLE IN/MM
 DRAWN BY RSTONE DATE 2013/01/11
 CHECKED BY K. JOZWIK DATE 2013/01/25
 APPROVED BY JFMURPHY DATE 2013/03/01

SCALE 1.5:1
 DESIGN UNITS INCH
 THIRD ANGLE PROJECTION

TITLE MINI CHANGE FEM. RECEPT. EXT THD, 16 AWG 1/2 NPT MTG THD, SS

molex

MATERIAL NO. SEE CHART
 DOCUMENT NO. SD-130013-041
 SHEET NO. 1 OF 1

THIS DRAWING CONTAINS INFORMATION THAT IS PROPRIETARY TO MOLEX INCORPORATED AND SHOULD NOT BE USED WITHOUT WRITTEN PERMISSION