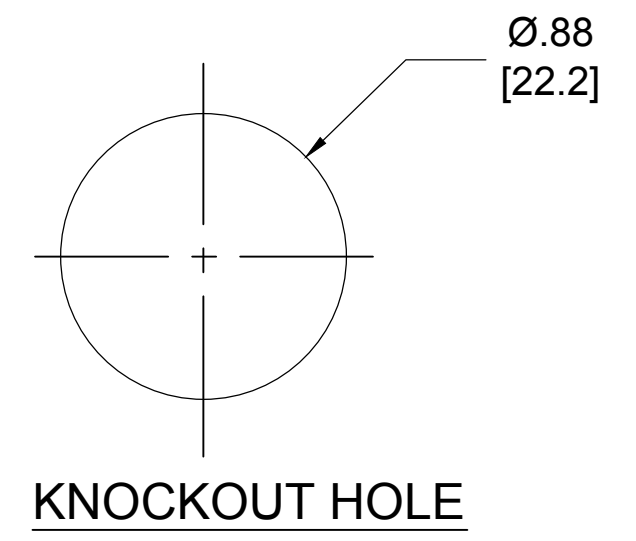


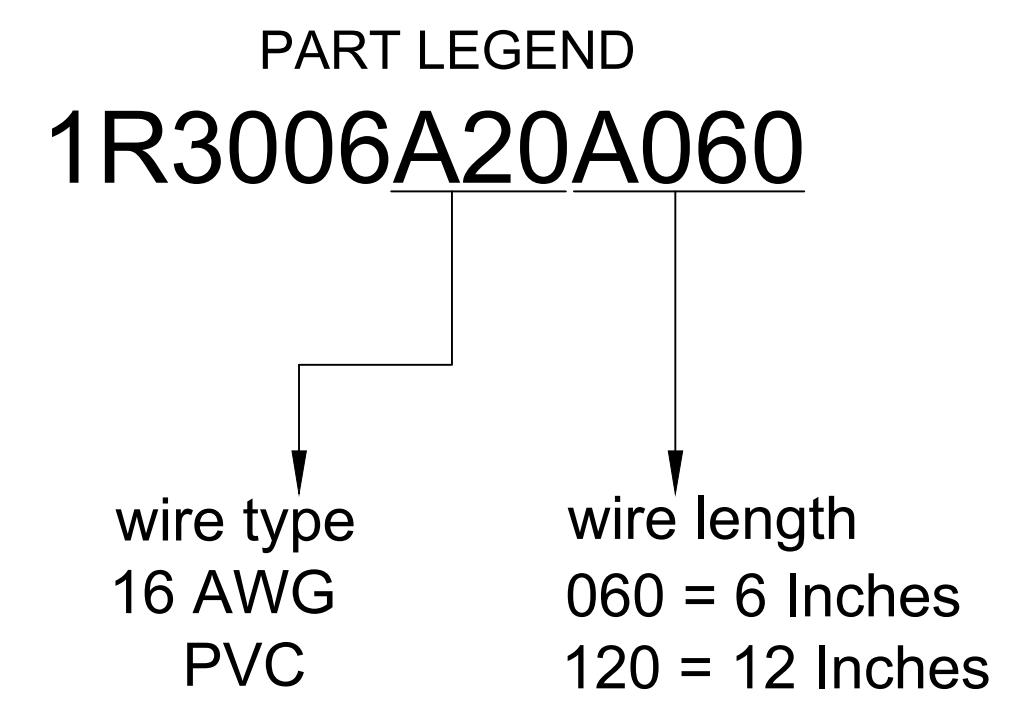
MALE FACE VIEW

1	GREEN-YELLOW
2	BLACK
3	WHITE

WIRING DIAGRAM



KNOCKOUT HOLE

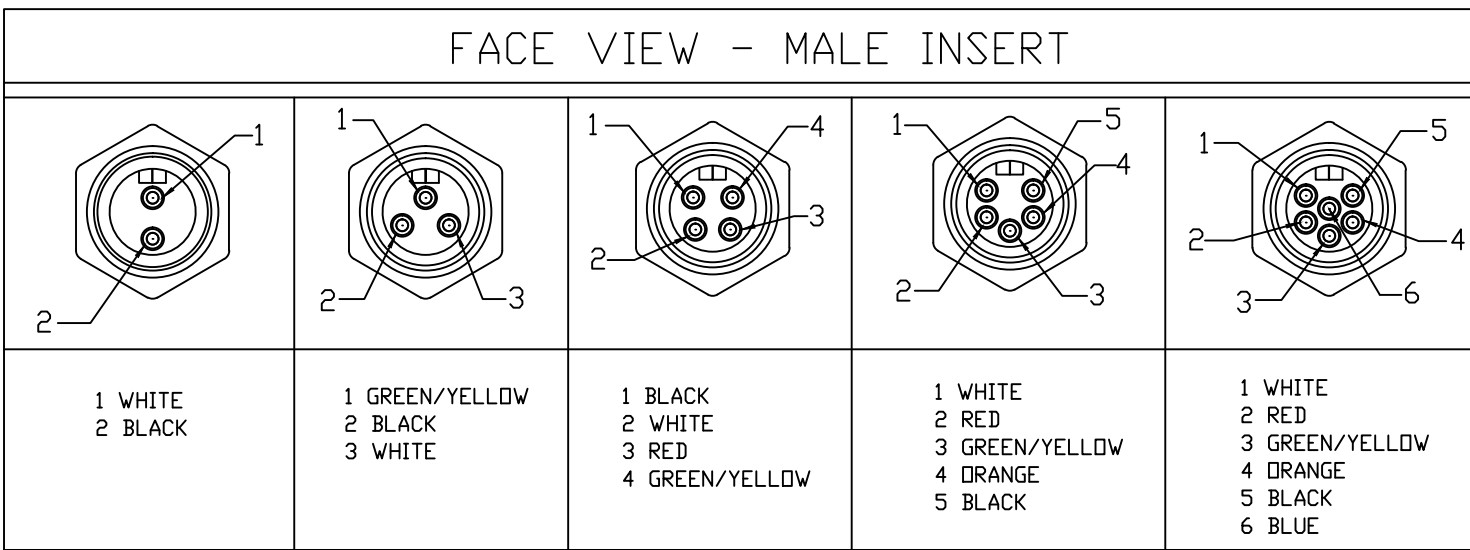


- NOTES:**
1. MATERIAL: AS NOTED
 2. FINISH: AS NOTED
 3. ELECTRICAL:
VOLTAGE; 600V AC/DC
CURRENT: 13
 4. TEMP RATING: -20° TO +105°C
 5. PROTECTION: IP67 (WHEN MATED)
 6. ALL DIMS ARE FOR REFERENCE
UNLESS NOTED OTHERWISE

TABLE

ITEM	COMPONENT	MATERIAL	FINISH
6	LABEL	VINYL	BLACK/YELLOW
5	POTTING	EPOXY	
4	WIRE, 16 AWG, UL 1015	PVC INSUL.	SEE FACE VIEW
3	CONTACT PIN	Cu ALLOY	GOLD PLATED
2	INSERT	PVC	YELLOW
1	RECEPTACLE SHELL	ZINC DIE-CAST	BLACK E-COAT

.38 WAS .3, UPDATED DOC EC NO: IPG2017-0513 DRWN: RSTONE 11/18/16 CH'KD: M ZIELIN 2016/12/07 APPR: BWOODMAN	QUALITY SYMBOL ▽=0 ▽=0	GENERAL TOLERANCES (UNLESS SPECIFIED) 4 PLACES ±--- ±--- 3 PLACES ±--- ±--- 2 PLACES ±0.13 ±0.01 1 PLACE ±0.3 ±--- ANGULAR ±---°	DIMENSION STYLE IN/MM DRAWN BY DATE GGUSTAFS 2013/12/03 CHECKED BY DATE LH 2009/04/01 APPROVED BY DATE ---- MATERIAL NO. ---	SCALE NTS DESIGN UNITS INCH	THIRD ANGLE PROJECTION	TITLE MINI-CHANGE RECEPTACLE 3 POLE MALE 1/2 NPT 16/1 AWG PVC MOLEX INCORPORATED DOCUMENT NO. SD-130013-003 SHEET NO. 1 OF 1
	DRAFT WHERE APPLICABLE MUST REMAIN WITHIN DIMENSIONS		THIS DRAWING CONTAINS INFORMATION THAT IS PROPRIETARY TO MOLEX INCORPORATED AND SHOULD NOT BE USED WITHOUT WRITTEN PERMISSION			



PART NUMBER LEGEND

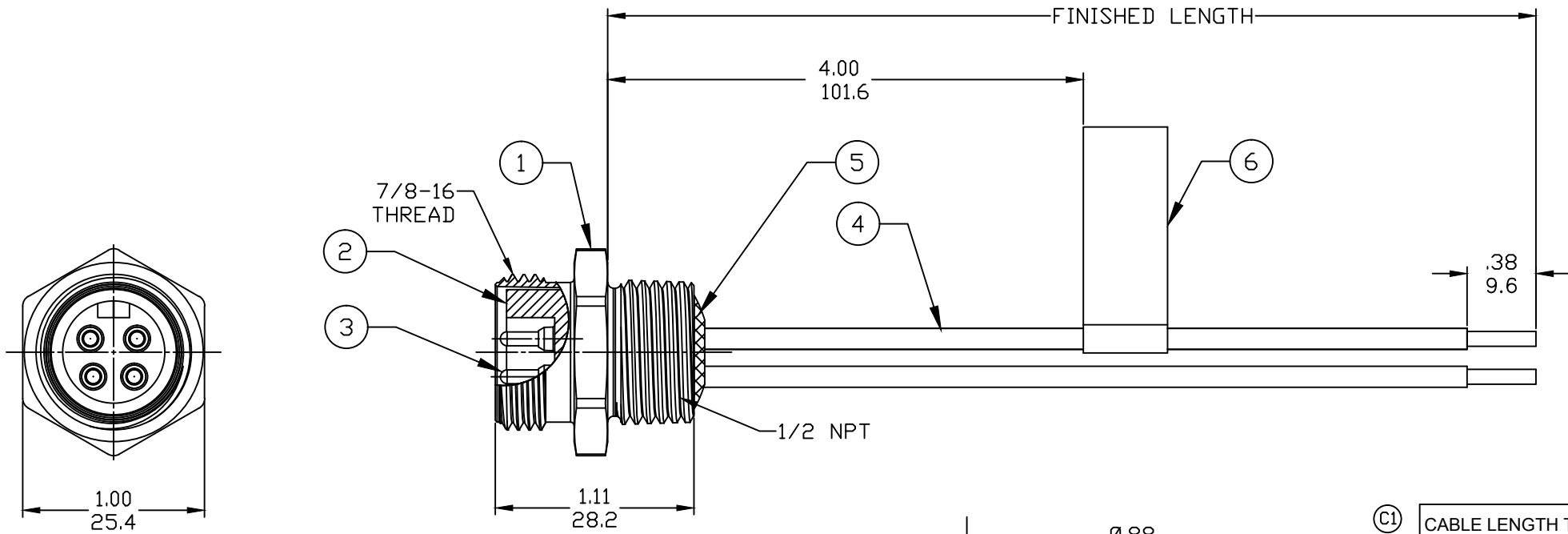
1R3006A20F020

POLES 2-6

FINISHED LENGTH:
 A120= 12 IN.
 F020= 2 FEET
 F100= 10 FEET

M005= 0.5 METER
 M010= 1 METER
 M100= 10 METER

PART NO.	ENGINEERING NO.	FINISHED LENGTH
1300130076	1R2006A20A120	12 IN
1300130223	1R3006A20M010	1.0M
1300130224	1R3006A20M020	2.0M



- NOTES:
- MATERIAL: AS NOTED
 - FINISH: AS NOTED
 - ELECTRICAL:
 VOLTAGE: 2 THRU 6P 600V PER UL 2238
 3P 500V PER IEC 60664
 4P 483V PER IEC 60664 (C1)
 5 & 6P 400V PER IEC 60664
 CURRENT: 2 & 3 POLE: 13A
 4 POLE: 10A
 5 & 6 POLE: 8A
 - TEMP RATING: -20°TO +105°C
 - PROTECTION: IP67 (WHEN MATED)
 - (C1) UL LISTED, FILE: E258922 FOR 3 & 4 POLE
 UL RECOGNIZED, FILE: E152210 FOR 2, 5, & 6 POLE
 - ALL DIMS ARE FOR REFERENCE UNLESS OTHERWISE NOTED

(C1) CABLE LENGTH TOLERANCES

>.3M [1FT]: +19mm-0 [+1.75in-0]
.3 - .9M [1 - 3FT]: +44.5mm-0 [+1.75in-0]
.9 - 1.8M [3 - 6FT]: +55.6mm-0 [+2.19in-0]
1.8 - 3.7M [6 - 12FT]: +88.9mm-0 [+3.50in-0]
3.7 - 7.3M [12 - 24FT]: +165.1mm-0 [+6.50in-0]
7.3-14.6M [24 - 48FT]: +317.5mm-0 [+12.50in-0]
14.6 - 30.5M [48-100FT]: +622.3mm-0 [+24.50in-0]
OVER 30M [100FT] +2% OF FINISHED LENGTH

ITEM	COMPONENT	MATERIAL	FINISH
6	LABEL	VINYL	BLACK/YELLOW
5	POTTING	EPOXY	
4	WIRE, 16 AWG, UL 1015	PVC INSUL.	SEE FACE VIEW
3	CONTACT PIN	Cu ALLOY	GOLD PLATED
2	INSERT	PVC	YELLOW
1	RECEPTACLE SHELL	ZINC DIE-CAST	BLACK E-COAT

REV EC NO: IPG2017-0940 DRWN: RSTONE CHKD: K COX APPR: BWOODMAN 4/10/17 2017/04/28 2016/08/19	DESCRIPTION KNOCKOUT HOLES	DIMENSION STYLE IN/MM		SCALE	DESIGN UNITS	THIRD ANGLE PROJECTION		
		DIMENSION TOLERANCES (UNLESS SPECIFIED)		---	INCH			
		SYMBOLS ▽=0 ◻=0	4 PLACES ±--- ±--- 3 PLACES ±--- ±--- 2 PLACES ±--- ±--- 1 PLACE ±--- ±---	DRAWN BY DATE RSTONE 2016/08/01			TITLE MINI CHANGE RECEPTACLE MALE 2 TO 6P 16 AWG	
		ANGULAR ±1°		CHECKED BY DATE K COX 2017/04/28			APPROVED BY DATE TWOLDEGE 2016/08/19	
DRAFT WHERE APPLICABLE MUST REMAIN WITHIN DIMENSIONS		MATERIAL NO. -		DOCUMENT NO. SD-130013-120		SHEET NO. 1 OF 1		
SIZE B		THIS DRAWING CONTAINS INFORMATION THAT IS PROPRIETARY TO MOLEX INCORPORATED AND SHOULD NOT BE USED WITHOUT WRITTEN PERMISSION						