

PLEASE CHECK WWW.MOLEX.COM FOR LATEST PART INFORMATION

Part Number: [130013-0216](#)
Status: **Active**
Overview: [Brad® Mini-Change® Connectors](#)
Description: Mini-Change® A-Size Receptacle with Leads, 1/2" NPT Threads, Straight Female, 3 Poles, Length 1.83m, 16 AWG

Documents:

[Drawing \(PDF\)](#) [RoHS Certificate of Compliance \(PDF\)](#)

Agency Certification

CSA LR6837
 UL E258922

General

Product Family Industrial Cordsets
 Series [130013](#)
 Connector End A Mini-Change®
 Connector End B Pigtail
 IP Rating IP67
 Overview [Brad® Mini-Change® Connectors](#)
 Product Name Mini-Change®
 Type Single Ended
 UPC 78678851682

Physical

Cable Diameter N/A
 Cable Length 1.83m
 Color - Cable Jacket N/A
 Coupling Style Threaded
 Gender Male-Pigtail
 Keyway Single
 LED Indicator No
 Material - Cable Jacket PVC
 Material - Connector Body Zinc Die-Cast with Black Epoxy
 Material - Contact Brass
 Material - Coupling Nut Anodized Aluminum
 Material - Plating Mating Gold over Nickel
 Net Weight 5.210/g
 Orientation Straight
 Poles 3
 Temperature Range - Operating -20°C to +105°C
 Wire Size AWG 16
 Wire/Cable Type UL 1015

Electrical

Current - Maximum per Contact 13A
 Voltage - Maximum 600V AC/DC

Material Info

Old Part Number 1R3006A20F0601

Reference - Drawing Numbers

Sales Drawing SD-130013-040

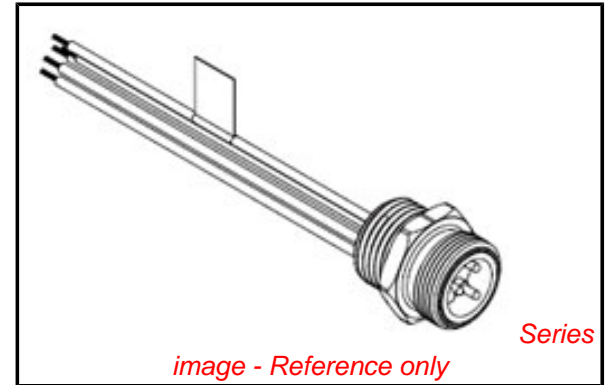
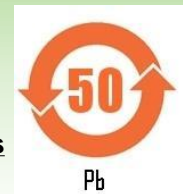


image - Reference only

EU RoHS

RoHS Compliant by Exemption
REACH SVHC
 Not Reviewed
Low-Halogen Status
 Not Reviewed

China RoHS



Need more information on product environmental compliance?

Email productcompliance@molex.com
 For a multiple part number RoHS Certificate of Compliance, [click here](#)

Please visit the [Contact Us](#) section for any non-product compliance questions.

Search Parts in this Series

130013Series

PLEASE CHECK WWW.MOLEX.COM FOR LATEST PART INFORMATION