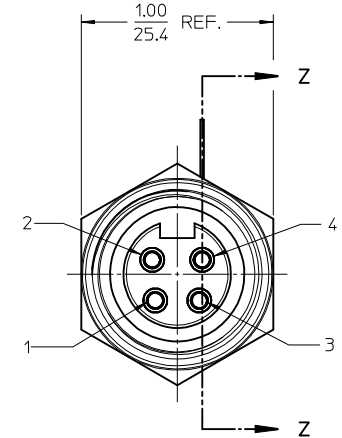
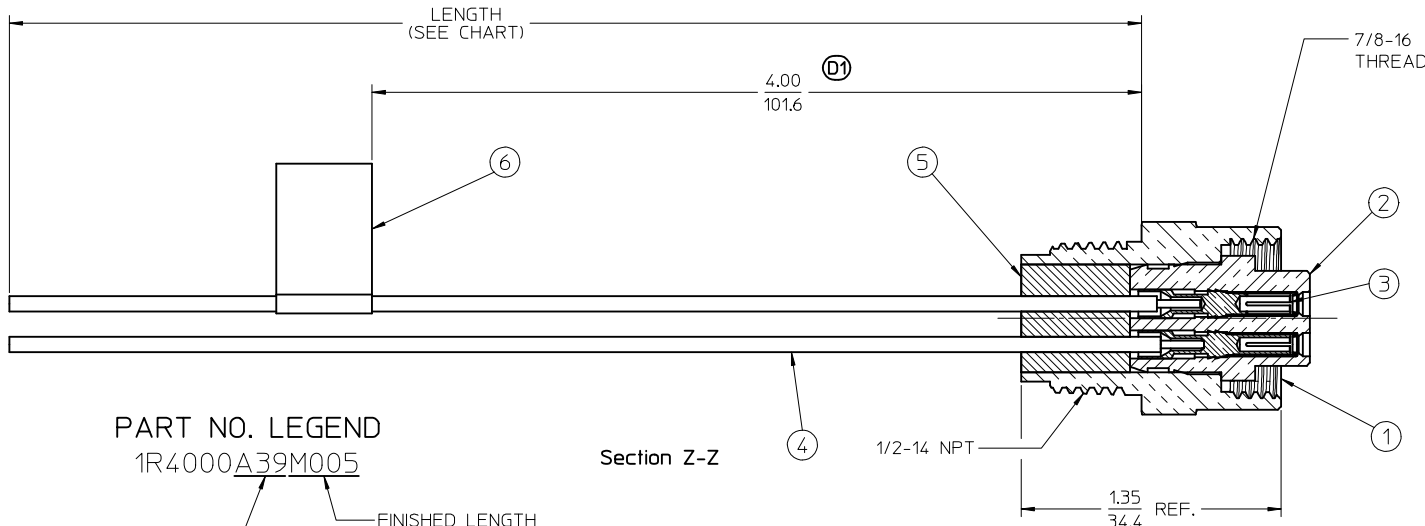
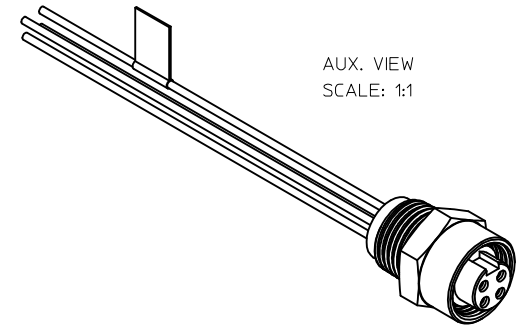


MATERIAL NO.	ENGINEERING NO.	LENGTH	D1
1300130299	1R4000A39M005	0.5M	
1300130300	1R4000A39M010	1.0M	
1300130301	1R4000A39M020	2.0M	

CABLE LENGTH TOLERANCES

>.3M [1FT]: +19mm-0 [+1.75in-0]
 .3 - .9M [1 - 3FT]: +44.5mm-0 [+1.75in-0]
 .9 - 1.8M [3 - 6FT]: +55.6mm-0 [+2.19in-0]
 1.8 - 3.7M [6 - 12FT]: +88.9mm-0 [+3.50in-0]
 3.7 - 7.3M [12 - 24FT]: +165.1mm-0 [+6.50in-0]
 7.3-14.6M [24 - 48FT]: +317.5mm-0 [+12.50in-0]
 14.6 - 30.5M [48-100FT]: +622.3mm-0 [+24.50in-0]
 OVER 30M [100FT]: +2% OF FINISHED LENGTH

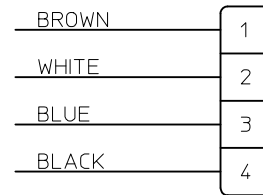


PART NO. LEGEND
 1R4000A39M005

WIRE TYPE: 16 AWG PVC
 FINISHED LENGTH
 M005= 0.5 METER
 M010= 1 METER
 M100= 10 METERS

- NOTES:**
- MATERIAL: AS NOTED
 - FINISHES: AS NOTED
 - ELECTRICAL SPECIFICATIONS
 VOLTAGE RATING: 483V PER IEC60664
 600V PER UL2238
 CURRENT RATING: 10 AMPS
 - PROTECTION: IP67 (WHEN MATED)
 - TEMP RANGE: -20°C TO +105°C
 - AGENCY LISTING: E152210
 - DIMS SHOWN ARE FOR REFERENCE UNLESS NOTED OTHERWISE

WIRE DIAGRAM



PIN-OUT PER CENELEC COLOR CODE

ITEM	QTY.	DESCRIPTION	MATERIAL	FINISH
6	1	LABEL	VINYL	BLACK/YELLOW
5	1	POTTING MATERIAL	EPOXY	
4	4	WIRE, 16 AWG	PVC INSULATION	SEE WIRE DIAGRAM
3	4	CONTACT SOCKET & SLEEVE ASSY.	Cu ALLOY/ST.STEEL	GOLD PLATED
2	1	INSERT	PVC	YELLOW
1	1	RECEPTACLE SHELL	ZINC DIE-CAST	NICKEL PLATED

IC VOLTS WAS 370 WAS 800 ADD LENGTH TOLS & CHART EC NO: IFC2017-0940 DRAWN BY: DRWINRSTONE 2017/04/10 CHKD: CHKD: 2017/06/06 APPR: BWOODMAN	DESCRIPTION
D1	REV

QUALITY SYMBOLS	▽=0	▽=0
-----------------	-----	-----

GENERAL TOLERANCES (UNLESS SPECIFIED)	mm	INCH
4 PLACES	± .10	± .004
3 PLACES	± .15	± .006
2 PLACES	± .20	± .008
1 PLACE	± .30	± .012
ANGULAR ±1/2°		
DRAFT WHERE APPLICABLE MUST REMAIN WITHIN DIMENSIONS		

DIMENSION STYLE		SCALE	DESIGN UNITS	THIRD ANGLE PROJECTION
IN/MM		2:1	INCH	
DRAWN BY	DATE	TITLE		
R.STONE	2009/08/25	MINI-CHANGE, RECEPTACLE 4P, FEMALE, 16 AWG		
CHECKED BY	DATE	APPROVED BY		
B.WOODMAN	2009/08/27	JFMURPHY		
MATERIAL NO.	DATE	DOCUMENT NO.		
-	2009/08/26	SD-130013-086		
SIZE	THIS DRAWING CONTAINS INFORMATION THAT IS PROPRIETARY TO MOLEX INCORPORATED AND SHOULD NOT BE USED WITHOUT WRITTEN PERMISSION			

MOLEX	MOLEX INCORPORATED	SHEET NO.
		1 OF 1

MATERIAL NO.	ENGINEERING NO.	LENGTH	D1
1300130299	1R4000A39M005	0.5M	
1300130300	1R4000A39M010	1.0M	
1300130301	1R4000A39M020	2.0M	

CABLE LENGTH TOLERANCES

>.3M [1FT): +19mm-0 [+1.75in-0]

.3 - .9M [1 - 3FT): +44.5mm-0 [+1.75in-0]

.9 - 1.8M [3 - 6FT): +55.6mm-0 [+2.19in-0]

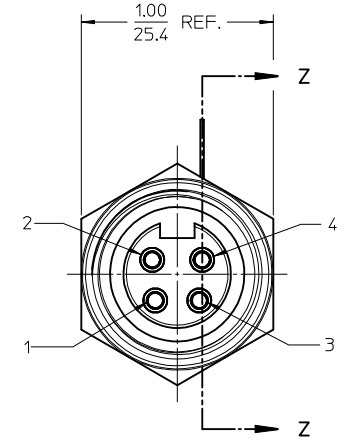
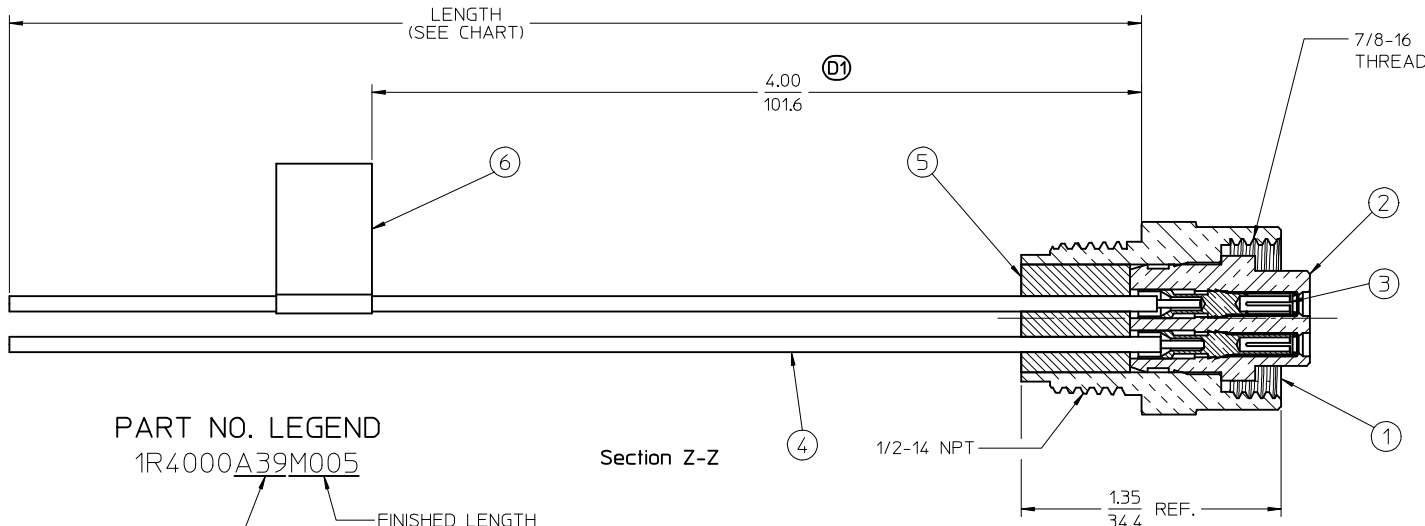
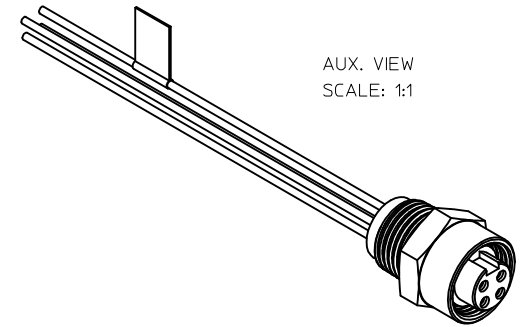
1.8 - 3.7M [6 - 12FT): +88.9mm-0 [+3.50in-0]

3.7 - 7.3M [12 - 24FT): +165.1mm-0 [+6.50in-0]

7.3-14.6M [24 - 48FT): +317.5mm-0 [+12.50in-0]

14.6 - 30.5M [48-100FT): +622.3mm-0 [+24.50in-0]

OVER 30M [100FT) +2% OF FINISHED LENGTH

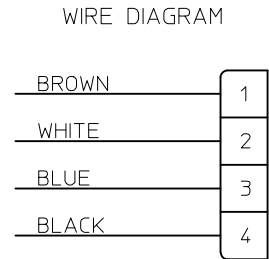
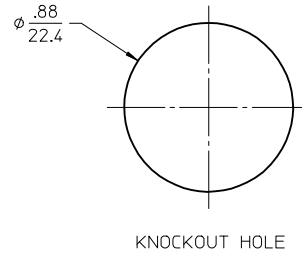


PART NO. LEGEND
1R4000A39M005

WIRE TYPE: 16 AWG PVC

FINISHED LENGTH
M005= 0.5 METER
M010= 1 METER
M100= 10 METERS

- NOTES:**
1. MATERIAL: AS NOTED
 2. FINISHES: AS NOTED
 3. ELECTRICAL SPECIFICATIONS
VOLTAGE RATING: 483V PER IEC60664
600V PER UL2238
CURRENT RATING: 10 AMPS
 4. PROTECTION: IP67 (WHEN MATED)
 5. TEMP RANGE: -20°C TO +105°C
 6. AGENCY LISTING: E152210
 7. DIMS SHOWN ARE FOR REFERENCE UNLESS NOTED OTHERWISE



PIN-OUT PER CENELEC COLOR CODE

ITEM	QTY.	DESCRIPTION	MATERIAL	FINISH
6	1	LABEL	VINYL	BLACK/YELLOW
5	1	POTTING MATERIAL	EPOXY	
4	4	WIRE, 16 AWG	PVC INSULATION	SEE WIRE DIAGRAM
3	4	CONTACT SOCKET & SLEEVE ASSY.	Cu ALLOY/ST.STEEL	GOLD PLATED
2	1	INSERT	PVC	YELLOW
1	1	RECEPTACLE SHELL	ZINC DIE-CAST	NICKEL PLATED

IC VOLTS WAS 370 WAS 800 ADD LENGTH TOLS & CHART IEC NO: IFC2017-0940 DRAWN BY: DRWINRSTONE 2017/04/10 CHKD: CHKD: APPR: BWOODMAN 2017/06/06	DESCRIPTION
D1	REV

QUALITY SYMBOLS	▽=0	▽=0
-----------------	-----	-----

GENERAL TOLERANCES (UNLESS SPECIFIED)	mm	INCH
4 PLACES	± .1	± .005
3 PLACES	± .15	± .0075
2 PLACES	± .2	± .008
1 PLACE	± .3	± .012
ANGULAR ±1/2°		
DRAFT WHERE APPLICABLE MUST REMAIN WITHIN DIMENSIONS		

DIMENSION STYLE		SCALE	DESIGN UNITS	THIRD ANGLE PROJECTION
IN/MM		2:1	INCH	
DRAWN BY	DATE	TITLE		
R.STONE	2009/08/25	MINI-CHANGE, RECEPTACLE 4P, FEMALE, 16 AWG		
CHECKED BY	DATE	APPROVED BY		
B.WOODMAN	2009/08/27	JFMURPHY		
MATERIAL NO.	DATE	DOCUMENT NO.		
-	2009/08/26	SD-130013-086		
SIZE	THIS DRAWING CONTAINS INFORMATION THAT IS PROPRIETARY TO MOLEX INCORPORATED AND SHOULD NOT BE USED WITHOUT WRITTEN PERMISSION			

MOLEX INCORPORATED		SHEET NO.
		1 OF 1