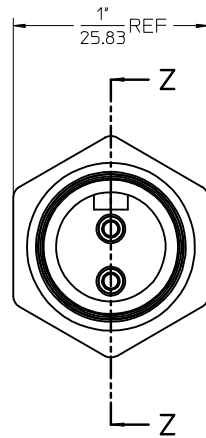
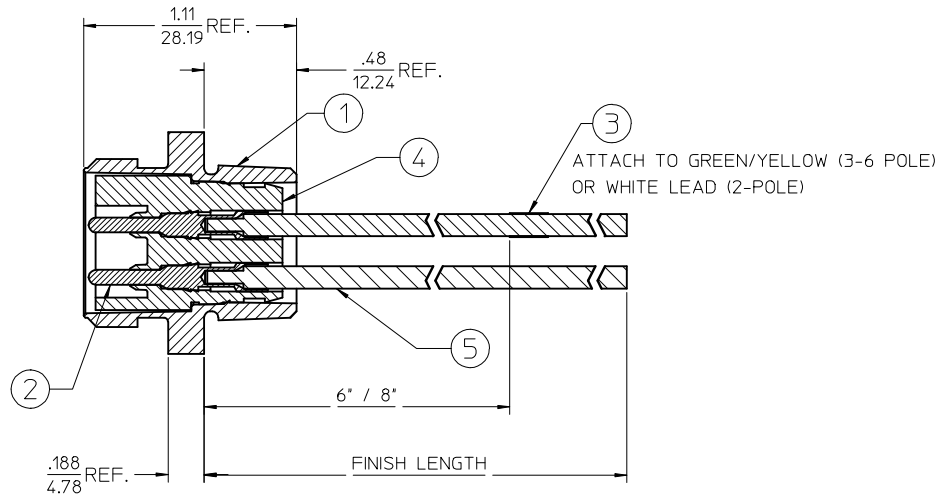


FACE VIEW - MALE INSERT SCALE 2 : 1

1 WHITE 2 BLACK	1 GREEN/YELLOW 2 BLACK 3 WHITE	1 BLACK 2 WHITE 3 RED 4 GREEN/YELLOW	1 WHITE 2 RED 3 GREEN/YELLOW 4 ORANGE 5 BLACK	1 WHITE 2 RED 3 GREEN/YELLOW 4 ORANGE 5 BLACK 6 BLUE



MALE INSERT - FRONT VIEW



SECTION Z-Z

FINAL ASSEMBLY
1300130076

ENTER DESCRIPTION EC NO: MNA2010-0057 DRWN: NKUMAR01 2009/07/31 CHKD: JFMURPHY APPR: JFMURPHY 2009/08/10 REV: A	QUALITY SYMBOLS ▽=0 ▽=0	GENERAL TOLERANCES (UNLESS SPECIFIED) <table border="1" style="width: 100%; border-collapse: collapse;"> <thead> <tr> <th></th> <th>mm</th> <th>INCH</th> </tr> </thead> <tbody> <tr> <td>4 PLACES ±</td> <td>---</td> <td>± ---</td> </tr> <tr> <td>3 PLACES ±</td> <td>---</td> <td>± ---</td> </tr> <tr> <td>2 PLACES ±</td> <td>---</td> <td>± ---</td> </tr> <tr> <td>1 PLACE ±</td> <td>---</td> <td>± ---</td> </tr> </tbody> </table> ANGULAR ±1/2°		mm	INCH	4 PLACES ±	---	± ---	3 PLACES ±	---	± ---	2 PLACES ±	---	± ---	1 PLACE ±	---	± ---	DIMENSION STYLE IN/MM DRAWN BY: NKUMAR01 DATE: 31/07/09 CHECKED BY: BWOODMAN DATE: 31/07/09 APPROVED BY: JFMURPHY DATE: 31/07/09	SCALE 2:1	DESIGN UNITS INCH	THIRD ANGLE PROJECTION
		mm	INCH																		
	4 PLACES ±	---	± ---																		
	3 PLACES ±	---	± ---																		
2 PLACES ±	---	± ---																			
1 PLACE ±	---	± ---																			
TITLE MC 2P MR 12IN. 16/1 PVC																					
MATERIAL NO. 9999999999																					
DOCUMENT NO. SD-130013-076																					
DRAFT WHERE APPLICABLE MUST REMAIN WITHIN DIMENSIONS																					
SIZE C THIS DRAWING CONTAINS INFORMATION THAT IS PROPRIETARY TO MOLEX INCORPORATED AND SHOULD NOT BE USED WITHOUT WRITTEN PERMISSION																					

MOLEX INCORPORATED
 SHEET NO. 1 OF 2

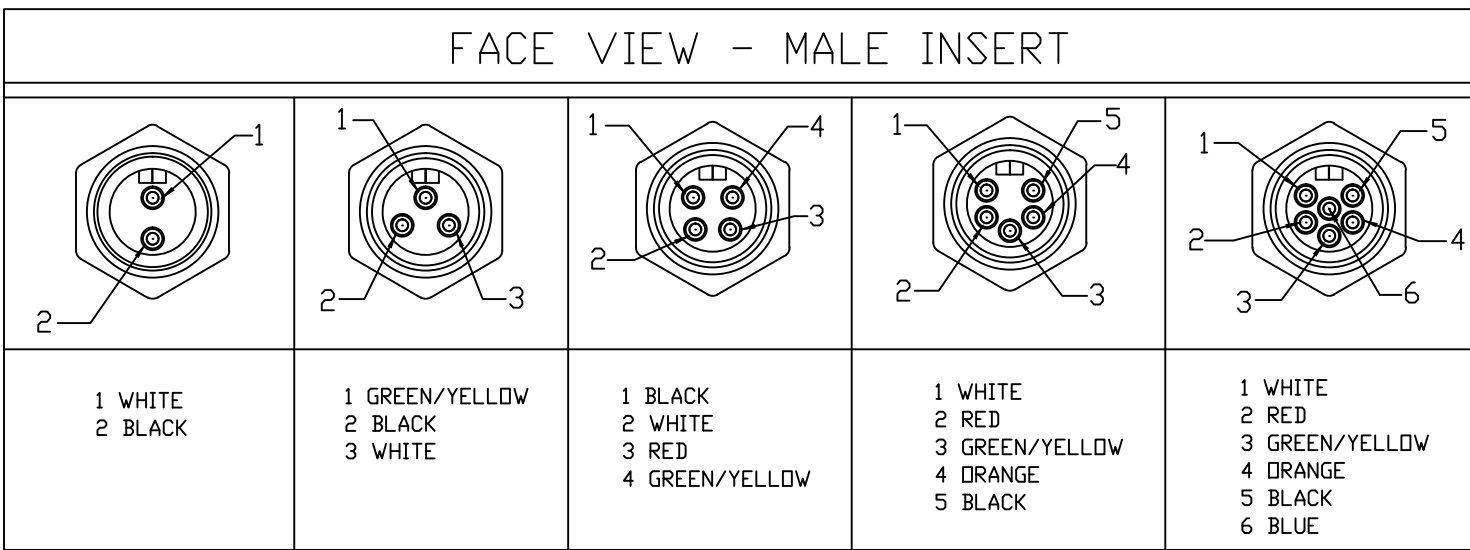
MALE RECEPTACLE ASSEMBLY

SI. No.	DESCRIPTION	MATERIAL	FINISH	QUANTITY				
				2 POLE	3 POLE	4 POLE	5 POLE	6 POLE
1	RECEPTACLE SHELL	ZINC DIECAST	BLACK E-COAT	1	1	1	1	1
2	PIN CONTACT 16AWG	COPPER ALLOY	GOLD PLATED	2	3	4	5	6
3	LABEL	PLASTIC FILM	BLACK/YELLOW	1	1	1	1	1
4	2P MALE INSERT PVC A SIZE	PVC	YELLOW	1				
	3P MALE INSERT PVC A SIZE	PVC	YELLOW		1			
	4P MALE INSERT PVC A SIZE	PVC	YELLOW			1		
	5P MALE INSERT PVC A SIZE	PVC	YELLOW				1	
	6P MALE INSERT PVC A SIZE	PVC	YELLOW					1
5	#16-1 WHT PVC WIRE UL1015	PVC JACKET	WHITE	1	1	1	1	1
	#16-1 RED PVC WIRE UL1015	PVC JACKET	RED					1
	#16-1 ORN PVC WIRE UL1015	PVC JACKET	ORANGE		1	1	1	1
	#16-1 GRN/YEL PVC WIRE UL1015	PVC JACKET	GREEN/YELLOW				1	1
	#16-1 BLU PVC WIRE UL1015	PVC JACKET	BLUE			1	1	1
	#16-1 BLK PVC WIRE UL1015	PVC JACKET	BLACK	1	1	1	1	1

PART NUMBER	DESCRIPTION	FINISHED LENGTH
1300130076	1R2006A20A120	12.0" +.75" -0 [0.3M +19.1MM -0]
1300130084	1R2006A20F060	6.0' +2.19" -0 [1.8M +55.6MM -0]
1300130202	1R3006A20A120	12.0" +.75" -0 [0.3M +19.1MM -0]
1300130215	1R3006A20F060	6.0' +2.19" -0 [1.8M +55.6MM -0]
1300130353	1R4006A20A120	12.0" +.75" -0 [0.3M +19.1MM -0]
1300130361	1R4006A20F060	6.0' +2.19" -0 [1.8M +55.6MM -0]
1300130493	1R5006A20A120	12.0" +.75" -0 [0.3M +19.1MM -0]
1300130503	1R5006A20F060	6.0' +2.19" -0 [1.8M +55.6MM -0]
1300130593	1R6006A20A120	12.0" +.75" -0 [0.3M +19.1MM -0]
1300130605	1R6006A20F060	6.0' +2.19" -0 [1.8M +55.6MM -0]

POLE COUNT	MAX. VOLTAGE RATING	MAX. CURRENT RATING
2 POLE	600 VOLTS	13 AMPS
3 POLE	600 VOLTS	13 AMPS
4 POLE	600 VOLTS	10 AMPS
5 POLE	600 VOLTS	8 AMPS
6 POLE	600 VOLTS	8 AMPS

ENTER DESCRIPTION EC NO: MNA2010-0057 DRAWN BY: DRWINAKUMAR01 2009/07/31 CHKD: APPR: JFMURPHY 2009/08/10 REV: A	QUALITY SYMBOLS ▽=0 ▽=0	GENERAL TOLERANCES (UNLESS SPECIFIED)	DIMENSION STYLE IN/MM	SCALE 2:1	DESIGN UNITS INCH	THIRD ANGLE PROJECTION MC 2P MR 12IN. 16/1 PVC
		4 PLACES ± --- ± ---	DRAWN BY DATE NKUMAR01 31/07/09	TITLE		
		3 PLACES ± --- ± ---	CHECKED BY DATE BWOODMAN 31/07/09	MATERIAL NO. 9999999999		
		2 PLACES ± --- ± ---	APPROVED BY DATE JFMURPHY 31/07/09	DOCUMENT NO. SD-130013-076	SHEET NO. 2 OF 2	
ANGULAR ±1/2°		DRAFT WHERE APPLICABLE MUST REMAIN WITHIN DIMENSIONS		MOLEX INCORPORATED THIS DRAWING CONTAINS INFORMATION THAT IS PROPRIETARY TO MOLEX INCORPORATED AND SHOULD NOT BE USED WITHOUT WRITTEN PERMISSION		



PART NUMBER LEGEND

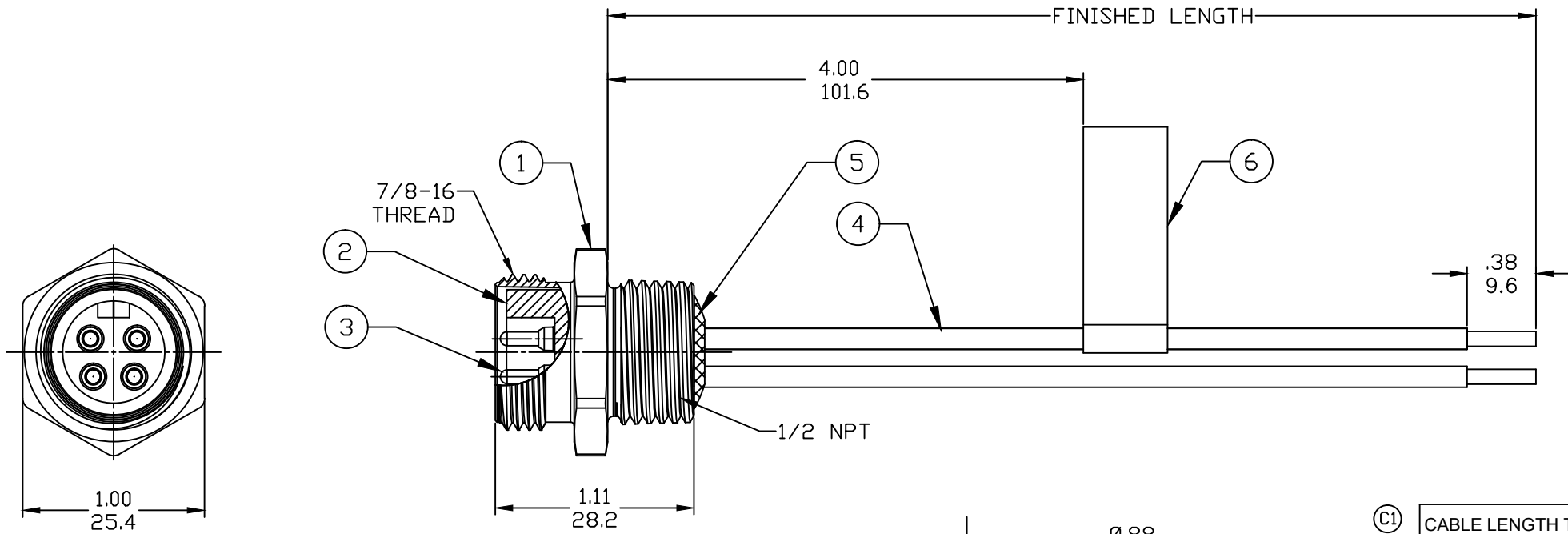
1R3006A20F020

POLES 2-6

FINISHED LENGTH:
 A120= 12 IN.
 F020= 2 FEET
 F100= 10 FEET

M005= 0.5 METER
 M010= 1 METER
 M100= 10 METER

PART NO.	ENGINEERING NO.	FINISHED LENGTH
1300130076	1R2006A20A120	12 IN
1300130223	1R3006A20M010	1.0M
1300130224	1R3006A20M020	2.0M



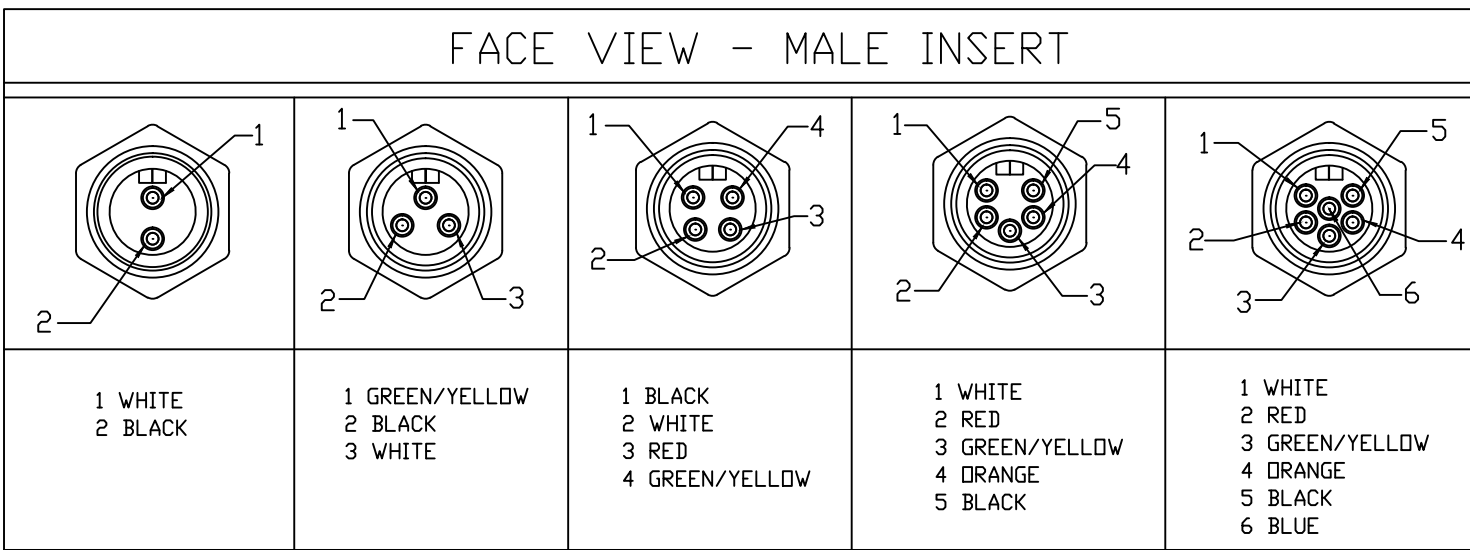
- NOTES:
- MATERIAL: AS NOTED
 - FINISH: AS NOTED
 - ELECTRICAL:
 VOLTAGE: 2 THRU 6P 600V PER UL 2238
 3P 500V PER IEC 60664
 4P 483V PER IEC 60664 (C1)
 5 & 6P 400V PER IEC 60664
 CURRENT: 2 & 3 POLE: 13A
 4 POLE: 10A
 5 & 6 POLE: 8A
 - TEMP RATING: -20°TO +105°C
 - PROTECTION: IP67 (WHEN MATED)
 - (C1) UL LISTED, FILE: E258922 FOR 3 & 4 POLE
 UL RECOGNIZED, FILE: E152210 FOR 2, 5, & 6 POLE
 - ALL DIMS ARE FOR REFERENCE UNLESS OTHERWISE NOTED

(C1) CABLE LENGTH TOLERANCES

>.3M [1FT]:	+19mm-0 [+1.75in-0]
.3 - .9M [1 - 3FT]:	+44.5mm-0 [+1.75in-0]
.9 - 1.8M [3 - 6FT]:	+55.6mm-0 [+2.19in-0]
1.8 - 3.7M [6 - 12FT]:	+88.9mm-0 [+3.50in-0]
3.7 - 7.3M [12 - 24FT]:	+165.1mm-0 [+6.50in-0]
7.3-14.6M [24 - 48FT]:	+317.5mm-0 [+12.50in-0]
14.6 - 30.5M [48-100FT]:	+622.3mm-0 [+24.50in-0]
OVER 30M [100FT]	+2% OF FINISHED LENGTH

ITEM	COMPONENT	MATERIAL	FINISH
6	LABEL	VINYL	BLACK/YELLOW
5	POTTING	EPOXY	
4	WIRE, 16 AWG, UL 1015	PVC INSUL.	SEE FACE VIEW
3	CONTACT PIN	Cu ALLOY	GOLD PLATED
2	INSERT	PVC	YELLOW
1	RECEPTACLE SHELL	ZINC DIE-CAST	BLACK E-COAT

REV EC NO: IPG2017-0940 DRWN: RSTONE CHKD: K COX APPR: BWOODMAN 4/10/17 2017/04/28 2016/08/19	DESCRIPTION RECEPTACLE MINI CHANGE RECEPTACLE MALE 2 TO 6P 16 AWG	DIMENSION STYLE IN/MM	SCALE ---	DESIGN UNITS INCH	THIRD ANGLE PROJECTION																
	SYMBOLS ▽=0 ◻=0	DIMENSION TOLERANCES (UNLESS SPECIFIED) <table border="1" style="width: 100%; text-align: center;"> <thead> <tr> <th></th> <th>mm</th> <th>INCH</th> </tr> </thead> <tbody> <tr> <td>4 PLACES</td> <td>±---</td> <td>±---</td> </tr> <tr> <td>3 PLACES</td> <td>±---</td> <td>±---</td> </tr> <tr> <td>2 PLACES</td> <td>±---</td> <td>±---</td> </tr> <tr> <td>1 PLACE</td> <td>±---</td> <td>±---</td> </tr> </tbody> </table>		mm	INCH	4 PLACES	±---	±---	3 PLACES	±---	±---	2 PLACES	±---	±---	1 PLACE	±---	±---	DRAWN BY DATE RSTONE 2016/08/01	TITLE MINI CHANGE RECEPTACLE MALE 2 TO 6P 16 AWG		
		mm	INCH																		
	4 PLACES	±---	±---																		
3 PLACES	±---	±---																			
2 PLACES	±---	±---																			
1 PLACE	±---	±---																			
DRAFT WHERE APPLICABLE MUST REMAIN WITHIN DIMENSIONS	ANGULAR ±1°	CHECKED BY DATE K COX 2017/04/28	MOLEX INCORPORATED																		
MATERIAL NO. -	APPROVED BY DATE TWOLDEGE 2016/08/19	MATERIAL NO. -	DOCUMENT NO. SD-130013-120	SHEET NO. 1 OF 1	THIS DRAWING CONTAINS INFORMATION THAT IS PROPRIETARY TO MOLEX INCORPORATED AND SHOULD NOT BE USED WITHOUT WRITTEN PERMISSION																



PART NUMBER LEGEND

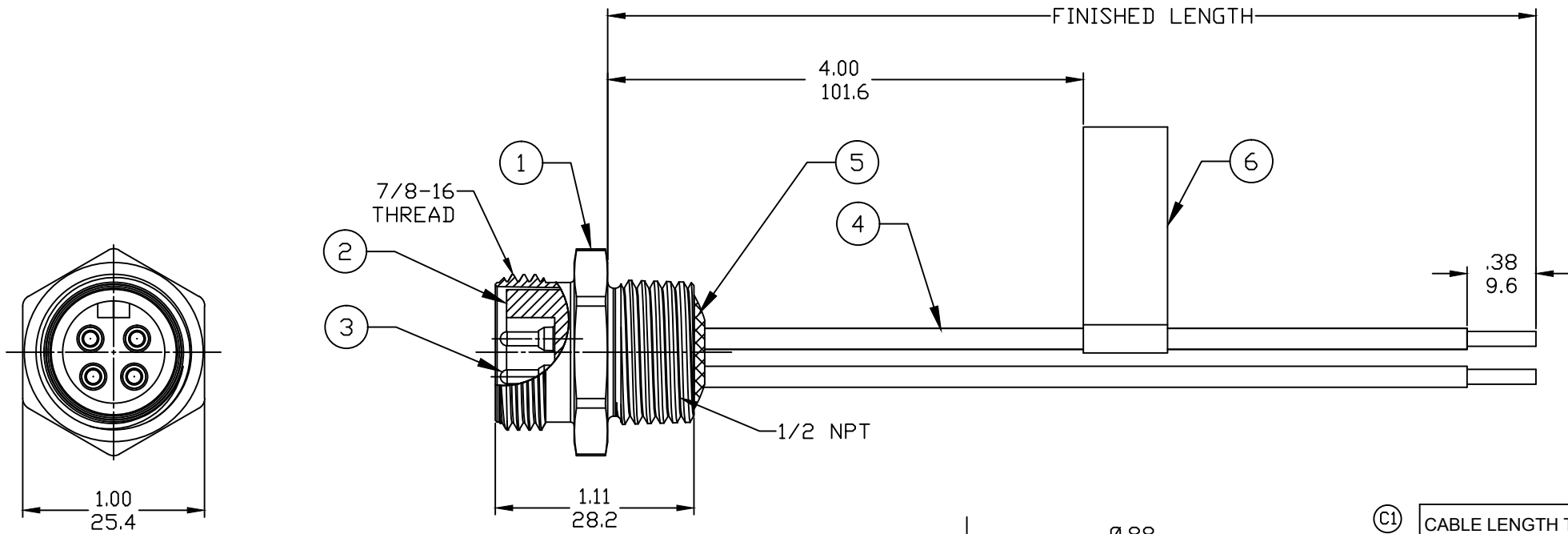
1R3006A20F020

POLES 2-6

FINISHED LENGTH:
 A120= 12 IN.
 F020= 2 FEET
 F100= 10 FEET

M005= 0.5 METER
 M010= 1 METER
 M100= 10 METER

PART NO.	ENGINEERING NO.	FINISHED LENGTH
1300130076	1R2006A20A120	12 IN
1300130223	1R3006A20M010	1.0M
1300130224	1R3006A20M020	2.0M



- NOTES:
- MATERIAL: AS NOTED
 - FINISH: AS NOTED
 - ELECTRICAL:
 VOLTAGE: 2 THRU 6P 600V PER UL 2238
 3P 500V PER IEC 60664
 4P 483V PER IEC 60664 (C1)
 5 & 6P 400V PER IEC 60664
 CURRENT: 2 & 3 POLE: 13A
 4 POLE: 10A
 5 & 6 POLE: 8A
 - TEMP RATING: -20°TO +105°C
 - PROTECTION: IP67 (WHEN MATED)
 - (C1) UL LISTED, FILE: E258922 FOR 3 & 4 POLE
 UL RECOGNIZED, FILE: E152210 FOR 2, 5, & 6 POLE
 - ALL DIMS ARE FOR REFERENCE UNLESS OTHERWISE NOTED

(C1) CABLE LENGTH TOLERANCES

>.3M [1FT]: +19mm-0 [+1.75in-0]
.3 - .9M [1 - 3FT]: +44.5mm-0 [+1.75in-0]
.9 - 1.8M [3 - 6FT]: +55.6mm-0 [+2.19in-0]
1.8 - 3.7M [6 - 12FT]: +88.9mm-0 [+3.50in-0]
3.7 - 7.3M [12 - 24FT]: +165.1mm-0 [+6.50in-0]
7.3-14.6M [24 - 48FT]: +317.5mm-0 [+12.50in-0]
14.6 - 30.5M [48-100FT]: +622.3mm-0 [+24.50in-0]
OVER 30M [100FT] +2% OF FINISHED LENGTH

ITEM	COMPONENT	MATERIAL	FINISH
6	LABEL	VINYL	BLACK/YELLOW
5	POTTING	EPOXY	
4	WIRE, 16 AWG, UL 1015	PVC INSUL.	SEE FACE VIEW
3	CONTACT PIN	Cu ALLOY	GOLD PLATED
2	INSERT	PVC	YELLOW
1	RECEPTACLE SHELL	ZINC DIE-CAST	BLACK E-COAT

REV C1	DESCRIPTION KNOCKOUT HOLE	DIMENSION STYLE UNLESS SPECIFIED IN/MM	DIMENSION STYLE IN/MM	SCALE ---	DESIGN UNITS INCH	THIRD ANGLE PROJECTION	
	SYMBOLS ▽=0 ◻=0	TOLERANCES 4 PLACES ±--- ±--- 3 PLACES ±--- ±--- 2 PLACES ±--- ±--- 1 PLACE ±--- ±--- ANGULAR ±1°	DRAWN BY DATE RSTONE 2016/08/01 CHECKED BY DATE K COX 2017/04/28 APPROVED BY DATE TWOLDEGE 2016/08/19	TITLE MINI CHANGE RECEPTACLE MALE 2 TO 6P 16 AWG MOLEX INCORPORATED			
	DRAFT WHERE APPLICABLE MUST REMAIN WITHIN DIMENSIONS		MATERIAL NO. -	DOCUMENT NO. SD-130013-120	SHEET NO. 1 OF 1		
	THIS DRAWING CONTAINS INFORMATION THAT IS PROPRIETARY TO MOLEX INCORPORATED AND SHOULD NOT BE USED WITHOUT WRITTEN PERMISSION						

REV IEC VOLTS, ADD LENGTH TOLS & CHART
 EC NO: IPG2017-0940
 DRWN: RSTONE
 CHKD: K COX
 APPR: BWOODMAN
 4/10/17
 2017/04/28
 2016/08/19