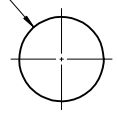
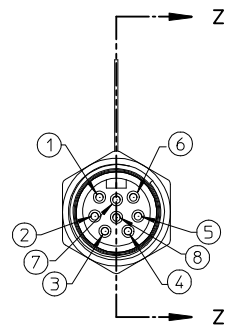
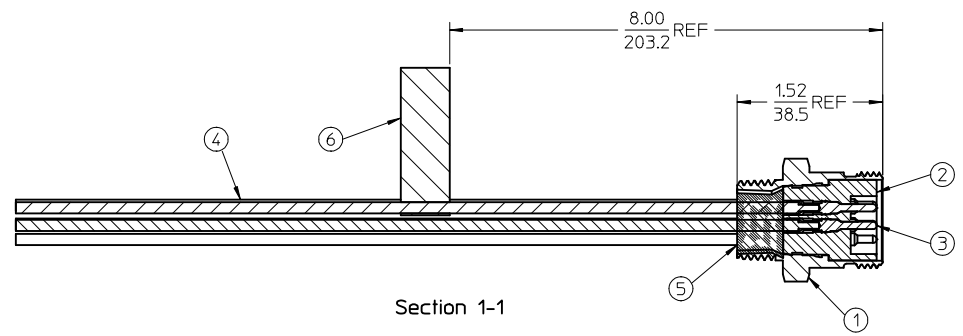
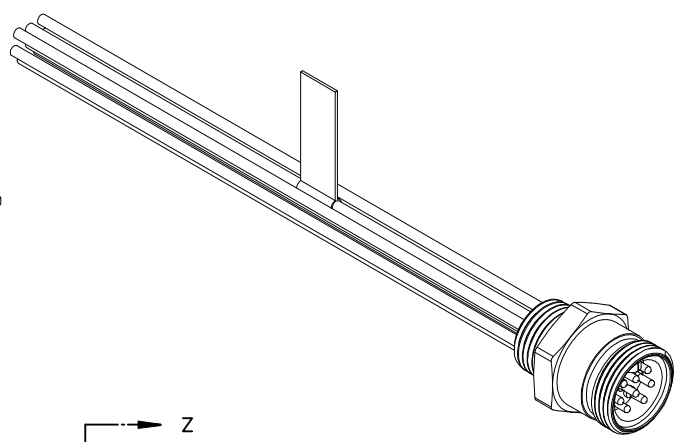
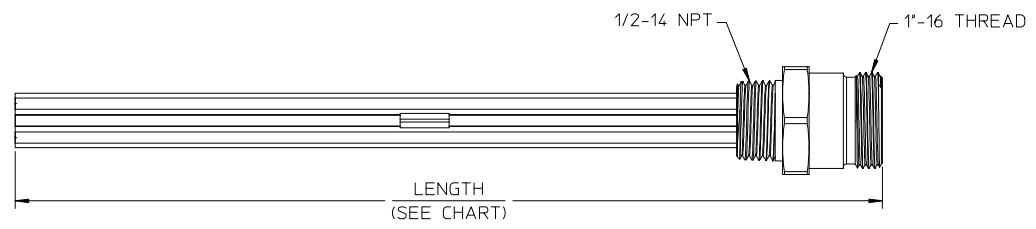


MATERIAL NO.	ENGINEERING NO.	LENGTH
1300140078	2R8006A20A120	12' +.75-0 [305mm +19.0-0]
1300140084	2R8006A20F060	6'0' +2.19 [1.8M +55.6-0]

φ .88  
22.4



REF. KNOCK-OUT HOLE



1	ORANGE
2	BLUE
3	WHITE/BLACK
4	BLACK
5	WHITE
6	RED
7	GREEN/YELLOW-GND
8	RED/BLACK

NOTES:

- MATERIAL: SEE TABLE
- FINISHES: SEE TABLE
- MATES WITH: 8/C MINI-CHANGE CORD ASSY.
- ELECTRICAL SPECIFICATIONS:  
VOLTAGE RATING: 600V AC/DC  
CURRENT RATING: 7 AMPS
- RoHS COMPLIANT

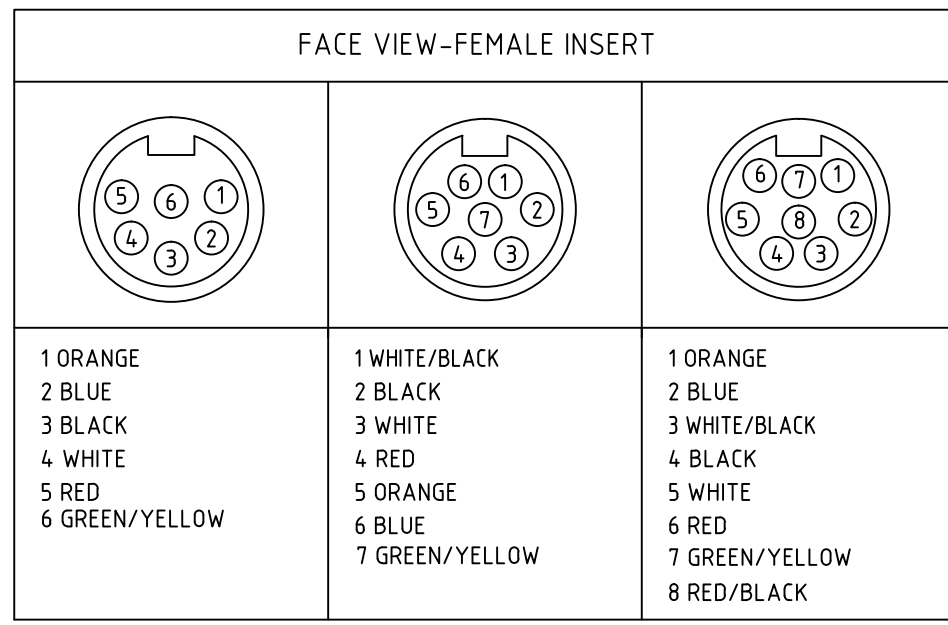
ITEM	QTY.	DESCRIPTION	MATERIAL	FINISH
6	1	LABEL	PLASTIC FILM	BLACK/YELLOW
5	1	POTTING	EPOXY	
4	8	WIRE, 16 AWG (UL 1015)	PVC INSULATED	SEE WIRE DIAGRAM
3	8	CONTACT PIN	BRASS	GOLD PLATED
2	1	INSERT	PVC	YELLOW
1	1	RECEPTACLE SHELL	ZINC ALLOY	E-COAT, BLACK

RELEASED	QUALITY SYMBOLS
EC NO: MNA2009-0813	▽=0
DRWN:RUPERT 2009/06/09	▽=0
CHKD:BRUPERT	
APPR:J.MURPHY 2009/06/10	
DESCRIPTION	

GENERAL TOLERANCES (UNLESS SPECIFIED)	
	mm INCH
4 PLACES ±	± .01
3 PLACES ±	± .01
2 PLACES ±	± .01
1 PLACE ±	± 0.3
ANGULAR ±1/2°	
DRAFT WHERE APPLICABLE MUST REMAIN WITHIN DIMENSIONS	

DIMENSION STYLE	
IN/MM	
DRAWN BY	DATE
R.STONE	2009/04/03
CHECKED BY	DATE
B.WOODMAN	2009/04/03
APPROVED BY	DATE
J.MURPHY	2009/04/07
MATERIAL NO.	
SEE CHART	
SIZE	
C	

SCALE	DESIGN UNITS	THIRD ANGLE PROJECTION
1:1	INCH	
TITLE		
MINI-CHANGE RECEPTACLE MALE, 8 POLE 1/2 IN NPT		
MOLEX INCORPORATED		
DOCUMENT NO.	SHEET NO.	
SD-130014-005	1 OF 1	
THIS DRAWING CONTAINS INFORMATION THAT IS PROPRIETARY TO MOLEX INCORPORATED AND SHOULD NOT BE USED WITHOUT WRITTEN PERMISSION		



**PART NUMBER LEGEND**

2R7006A20M010

POLES 6-8

FINISHED LENGTH:  
 A120= 12 IN.  
 F020= 2 FEET  
 F100= 10 FEET

M005= 0.5 METER  
 M010= 1 METER  
 M100= 10 METER

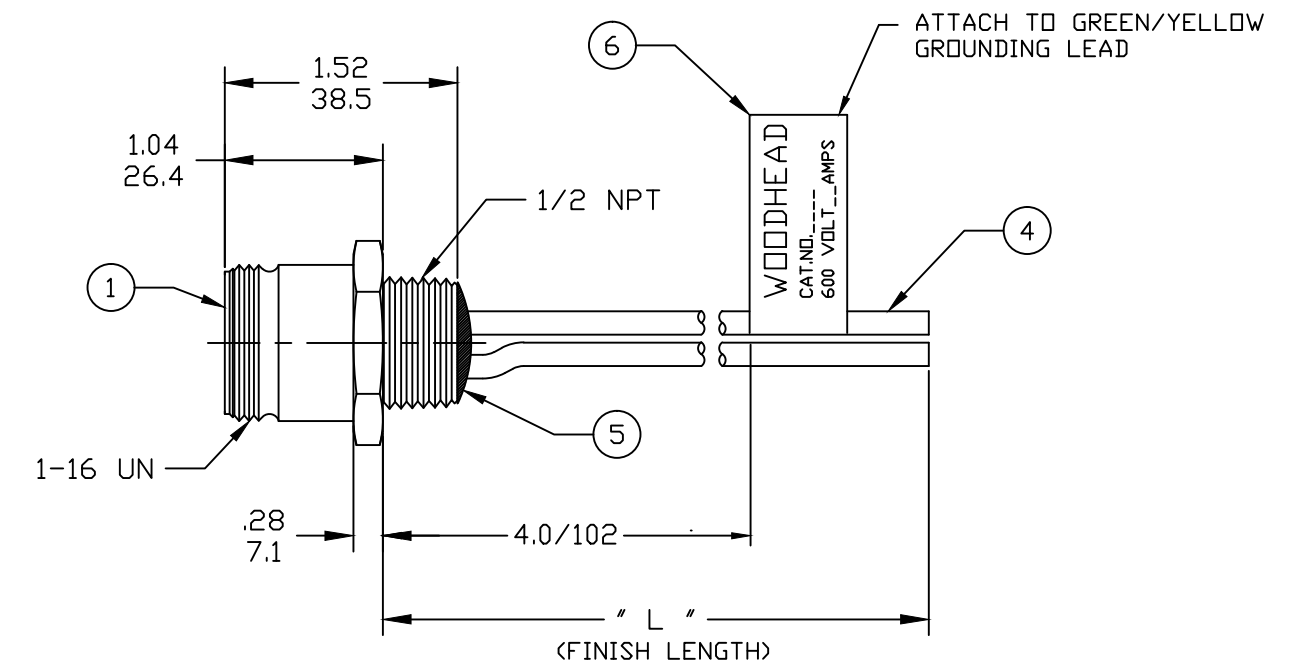
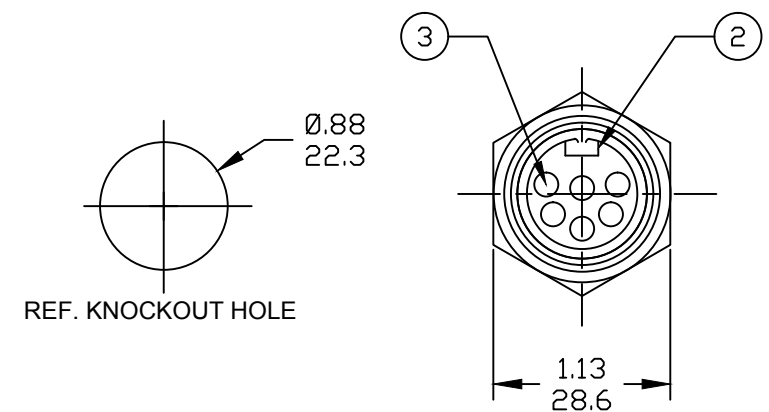
**(A1) CABLE LENGTH TOLERANCES**

>.3M [1FT]: +19mm-0 [+ .75in-0]  
 .3 - .9M [1 - 3FT]: +44.5mm-0 [+1.75in-0]  
 .9 - 1.8M [3 - 6FT]: +55.6mm-0 [+2.19in-0]  
 1.8 - 3.7M [6 - 12FT]: +88.9mm-0 [+3.50in-0]  
 3.7 - 7.3M [12 - 24FT]: +165.1mm-0 [+6.50in-0]  
 7.3-14.6M [24 - 48FT]: +317.5mm-0 [+12.50in-0]  
 14.6 - 30.5M [48-100FT]: +622.3mm-0 [+24.50in-0]  
 OVER 30M [100FT] +2% OF FINISHED LENGTH

CHART (A1)

PART NO.	ENGINEERING NO.	FINISHED LENGTH
1300140025	2R6006A20A120	12IN
1300140052	2R7006A20F020	2.0FT
1300140153	2R8006A20M003	0.3M

- NOTES:**
- MATERIAL: AS NOTED
  - FINISH: AS NOTED
  - ELECTRICAL:  
 VOLTAGE: 6 THRU 8P 600V PER UL 2238  
 (A1) 6P 400V PER IEC 60664  
 7 & 8P 320V PER IEC 60664  
 CURRENT: 6 & 7 POLE: 8A  
 8 POLE: 7A
  - TEMP RATING: -20°TO +105°C
  - PROTECTION: IP67 (WHEN MATED)
  - (A1) UL RECOGNIZED, FILE: E152210
  - ALL DIMS ARE FOR REFERENCE UNLESS OTHERWISE NOTED



ITEM	COMPONENT	MATERIAL	FINISH
6	LABEL	VINYL	BLACK/YELLOW
5	POTTING	EPOXY	
4	WIRE, 16 AWG, UL 1015	PVC INSUL.	SEE FACE VIEW
3	CONTACT PIN	Cu ALLOY	GOLD PLATED
2	INSERT	PVC	YELLOW
1	RECEPTACLE SHELL	ZINC DIE-CAST	BLACK E-COAT

REVID IEC VOLTS; ADD UL FILE, CHART & TOLS EC NO: IPG2017-1018 DRWN: RSTONE 5/1/17 CHKD: M ZIELIN 2017/05/08 APPR: BWOODMAN 2017/01/16	<b>QUALITY SYMBOLS</b> ▽=0 ▽C=0	<b>GENERAL TOLERANCES (UNLESS SPECIFIED)</b> <table border="1" style="width: 100%; border-collapse: collapse;"> <thead> <tr> <th></th> <th>mm</th> <th>INCH</th> </tr> </thead> <tbody> <tr> <td>4 PLACES</td> <td>±---</td> <td>±---</td> </tr> <tr> <td>3 PLACES</td> <td>±---</td> <td>±---</td> </tr> <tr> <td>2 PLACES</td> <td>±---</td> <td>±---</td> </tr> <tr> <td>1 PLACE</td> <td>±---</td> <td>±---</td> </tr> </tbody> </table>		mm	INCH	4 PLACES	±---	±---	3 PLACES	±---	±---	2 PLACES	±---	±---	1 PLACE	±---	±---	<b>DIMENSION STYLE</b> INCH/MM	SCALE ---	DESIGN UNITS INCH	THIRD ANGLE PROJECTION
		mm	INCH																		
	4 PLACES	±---	±---																		
	3 PLACES	±---	±---																		
2 PLACES	±---	±---																			
1 PLACE	±---	±---																			
		DRAWN BY DATE RSTONE 2016/12/07		<b>MINI-CHANGE RECEPTACLE          MALE 6 TO 8 POLE          16 AWG</b>																	
		CHECKED BY DATE M ZIELIN 2016/12/12																			
		APPROVED BY DATE BWOODMAN 2017/01/16		<b>MOLEX INCORPORATED</b>																	
		MATERIAL NO. ---		DOCUMENT NO. <b>SD-130014-010</b>		SHEET NO. <b>1 OF 1</b>															
DRAFT WHERE APPLICABLE MUST REMAIN WITHIN DIMENSIONS		SIZE <b>B</b>		THIS DRAWING CONTAINS INFORMATION THAT IS PROPRIETARY TO MOLEX INCORPORATED AND SHOULD NOT BE USED WITHOUT WRITTEN PERMISSION																	