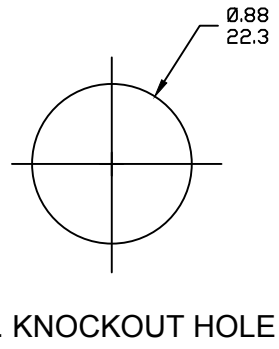


(B1) CHART

PART NO.	ENGINEERING NO.	FINISHED LENGTH
1300150117	3R9004A20A120	12IN
1300150029	3R1004A20F020	2.0FT
1300150070	3R2004A20M005	0.5M

- NOTES:
- MATERIAL: AS NOTED
 - FINISH: AS NOTED
 - ELECTRICAL:
 - VOLTAGE: 320V PER IEC60664
600V PER UL2238
 - CURRENT: 9 POLE: 7A
10 POLE: 7A
12 POLE: 5A
 - TEMP RATING: -20°TO +105°C
 - PROTECTION: IP67 (WHEN MATED)
 - UL RECOGNIZED, FILE: E152210
 - DIMS ARE FOR REFERENCE UNLESS OTHERWISE NOTED



PART NUMBER LEGEND

3R1004A20F0101

COUPLING: BLANK= STD (SEE BOM)
1= 303 STAINLESS ST.

LENGTH:
 A120= 12 INCHES
 F001= .1 FT
 F020= 2 FT
 F200= 20 FT

M005= 0.5 METER
 M010= 1 METER
 M100= 10 METER

POLES
 9= 9 POLES
 1=10 POLES
 2=12 POLES

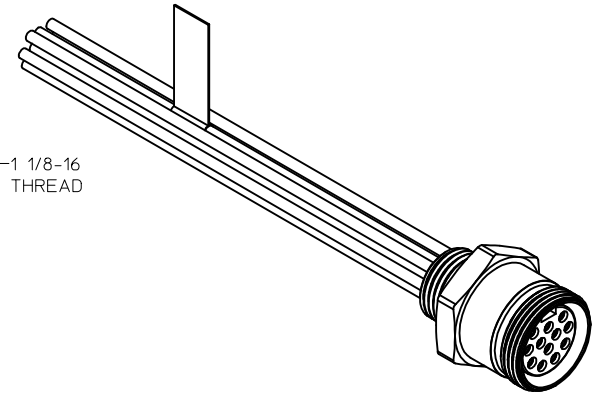
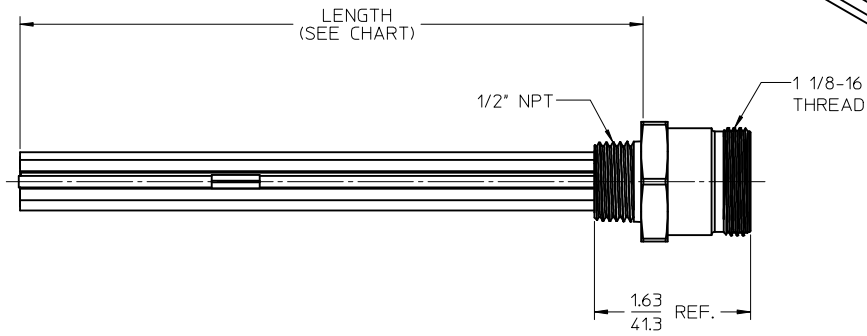
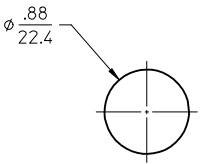
(B1) CABLE LENGTH TOLERANCES

>.3M [1FT]: +19mm-0 [+1.75in-0]
.3 - .9M [1 - 3FT]: +44.5mm-0 [+1.75in-0]
.9 - 1.8M [3 - 6FT]: +55.6mm-0 [+2.19in-0]
1.8 - 3.7M [6 - 12FT]: +88.9mm-0 [+3.50in-0]
3.7 - 7.3M [12 - 24FT]: +165.1mm-0 [+6.50in-0]
7.3-14.6M [24 - 48FT]: +317.5mm-0 [+12.50in-0]
14.6 - 30.5M [48-100FT]: +622.3mm-0 [+24.50in-0]
OVER 30M [100FT] +2% OF FINISHED LENGTH

ITEM	DESCRIPTION	MATERIAL	FINISH
6	FLAG LABEL	VINYL	BLACK/YELLOW
5	POTTING MATERIAL	EPOXY	
4	WIRE, 16 AWG UL (1015)	PVC INSULATION	SEE CHART
3	CONTACT SOCKET	COPPER ALLOY	GOLD PLATED
2	FEMALE INSERT (C-SIZE)	PVC	YELLOW
1	RECEPTACLE SHELL	ZINC DIE-CAST	BLACK

REVD IEC VOLTS; ADD UL FILE, CHART & TOOLS EC NO: IPG2017-1018 DRWN: RSTONE 5/11/17 CHKD: M ZIELIN 2017/05/08 APPR: BWOODMAN 2016/08/19	QUALITY SYMBOLS ▽=0 ▽C=0	GENERAL TOLERANCES (UNLESS SPECIFIED) <table border="1" style="width: 100%; border-collapse: collapse;"> <thead> <tr> <th></th> <th>mm</th> <th>INCH</th> </tr> </thead> <tbody> <tr> <td>4 PLACES</td> <td>±---</td> <td>±---</td> </tr> <tr> <td>3 PLACES</td> <td>±---</td> <td>±---</td> </tr> <tr> <td>2 PLACES</td> <td>±---</td> <td>±---</td> </tr> <tr> <td>1 PLACE</td> <td>±---</td> <td>±---</td> </tr> </tbody> </table>		mm	INCH	4 PLACES	±---	±---	3 PLACES	±---	±---	2 PLACES	±---	±---	1 PLACE	±---	±---	DIMENSION STYLE IN/MM	SCALE ---	DESIGN UNITS INCH	THIRD ANGLE PROJECTION
		mm	INCH																		
	4 PLACES	±---	±---																		
	3 PLACES	±---	±---																		
2 PLACES	±---	±---																			
1 PLACE	±---	±---																			
DRAFT WHERE APPLICABLE MUST REMAIN WITHIN DIMENSIONS	DRAWN BY: RSTONE DATE: 2016/07/11	CHECKED BY: K COX DATE: 2016/12/15	APPROVED BY: TWOLDEGE DATE: 2016/08/19	MINI-CHANGE RECEPTACLE 9, 10 & 12 POLE, FEMALE 16 AWG																	
B1	MATERIAL NO.: -	DOCUMENT NO.: SD-130015-026	SHEET NO.: 1 OF 1	MOLEX INCORPORATED																	
THIS DRAWING CONTAINS INFORMATION THAT IS PROPRIETARY TO MOLEX INCORPORATED AND SHOULD NOT BE USED WITHOUT WRITTEN PERMISSION																					

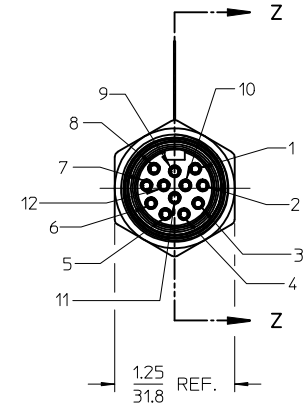
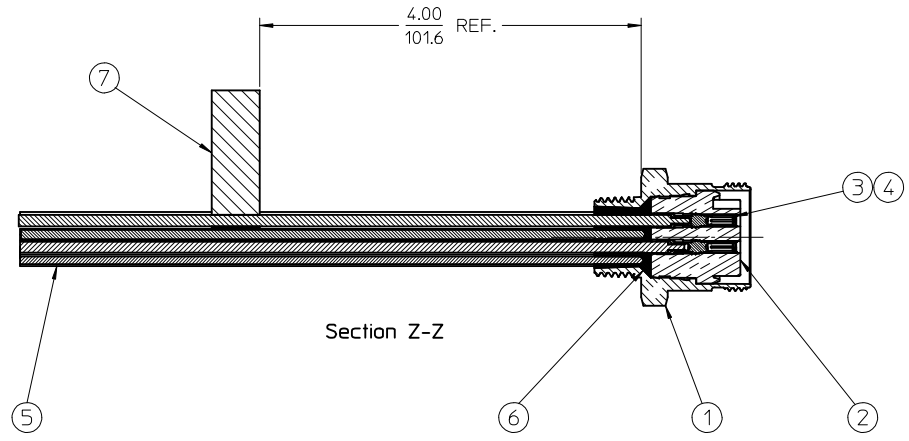
MATERIAL NO.	ENGINEERING NO.	LENGTH
1300150054	3R2004A20A120	12' +.75-0 [305mm +19.0-0]
1300150062	3R2004A20F060	6'0' +2.19-0 [1.8M +55.6-0]



- NOTES:
1. MATERIAL: SEE TABLE
 2. FINISHES: SEE TABLE
 3. MATES WITH: NONE
 4. ELECTRICAL SPECIFICATIONS:
VOLTAGE RATING: 600V AC/DC
CURRENT RATING: 5 AMPS
 5. RoHS COMPLIANT

1	ORANGE
2	BLUE
3	WHITE-BLACK
4	RED-BLACK
5	GREEN-BLACK
6	ORANGE-BLACK
7	BLUE-BLACK
8	BLACK-WHITE
9	GREEN-YELLOW
10	RED
11	WHITE
12	BLACK

WIRING DIAGRAM



ITEM	QTY.	DESCRIPTION	MATERIAL	FINISH
7	1	LABEL	PLASTIC FILM	BLACK/YELLOW
6	1	POTTING	EPOXY	
5	12	WIRE, 16 AWG (UL 1015)	PVC INSULATED	SEE WIRE DIAGRAM
4	12	SOCKET SLEEVE	ST.STEEL	
3	12	CONTACT SOCKET	BRASS	GOLD PLATED
2	1	INSERT	PVC	YELLOW
1	1	RECEPTACLE SHELL	ZINC ALLOY	BLACK

RELEASED	EC NO: MNA2010-0101	DRWR:RSTONE 2009/08/17	CHKD:B.WOODMAN	APPR:J.MURPHY 2009/08/21
REV	A	DESCRIPTION		

QUALITY SYMBOLS	GENERAL TOLERANCES (UNLESS SPECIFIED)	
	mm	INCH
▽=0	4 PLACES ± .005	± .005
▽=0	3 PLACES ± .005	± .005
	2 PLACES ± .005	± .01
	1 PLACE ± 0.3	± .005
	ANGULAR ± 1/2°	
	DRAFT WHERE APPLICABLE MUST REMAIN WITHIN DIMENSIONS	

DIMENSION STYLE	
IN/MM	
DRAWN BY	DATE
R.STONE	2009/08/17
CHECKED BY	DATE
B.WOODMAN	2009/08/17
APPROVED BY	DATE
J.MURPHY	2009/08/20
MATERIAL NO.	
SEE CHART	
SIZE	

SCALE	DESIGN UNITS	THIRD ANGLE PROJECTION
1:1	INCH	
TITLE		
MC RECEPTACLE, FEMALE 12 POLE, 1/2" NPT		
MOLEX INCORPORATED		
DOCUMENT NO.	SHEET NO.	
SD-130015-007	1 OF 1	
THIS DRAWING CONTAINS INFORMATION THAT IS PROPRIETARY TO MOLEX INCORPORATED AND SHOULD NOT BE USED WITHOUT WRITTEN PERMISSION		