

6

5

4

3

2

1

PART LIST

MOLEX PN	ENGINEERING NO.	LENGTH + TOL.[mm]
1300240329	DN11A-M650	65000 + 1300
1300250051	DN11A-M005	500 + 45
1300250054	DN11A-M010	1000 + 56
1300250058	DN11A-M015	1500 + 56
1300250061	DN11A-M020	2000 + 89
1300250067	DN11A-M030	3000 + 89
1300250071	DN11A-M040	4000 + 165
1300250073	DN11A-M050	5000 + 165
1300250076	DN11A-M060	6000 + 165
1300250079	DN11A-M070	7000 + 165
1300250081	DN11A-M080	8000 + 317
1300250083	DN11A-M090	9000 + 317
1300250085	DN11A-M100	10000 + 317
1300250087	DN11A-M120	12000 + 317
1300250090	DN11A-M130	13000 + 317
1300250091	DN11A-M140	14000 + 317
1300250092	DN11A-M150	15000 + 610
1300250095	DN11A-M180	18000 + 610
1300250097	DN11A-M200	20000 + 610
1300250099	DN11A-M210	21000 + 610
1300250102	DN11A-M240	24000 + 610
1300250103	DN11A-M250	25000 + 610
1300250105	DN11A-M270	27000 + 610
1300250108	DN11A-M300	30000 + 610

MOLEX PN	ENGINEERING NO.	LENGTH + TOL.[mm]
1300250114	DN11A-M350	35000 + 700
1300250117	DN11A-M400	40000 + 800
1300250119	DN11A-M450	45000 + 900
1300250122	DN11A-M500	50000 + 1000
1300250128	DN11A-M750	75000 + 1500
1300250649	DN11A-M005H	500 + 45
1300250652	DN11A-M050H	5000 + 165
1300250654	DN11A-M060H	6000 + 165

SYMBOLS										THIS DRAWING CONTAINS INFORMATION THAT IS PROPRIETARY TO MOLEX ELECTRONIC TECHNOLOGIES, LLC AND SHOULD NOT BE USED WITHOUT WRITTEN PERMISSION														
DIMENSION UNITS					SCALE					CURRENT REV DESC:														
mm					1:1					<p>molex</p> <p>CSE MC 5P FE STR PVC MA STR 25M DE</p> <p>PRODUCT CUSTOMER DRAWING</p> <p>DOCUMENT NUMBER: 1300250051 DOC TYPE: PSD DOC PART: 000 REVISION: A</p> <p>DRWN: MKOWALCZYK01 2018/09/07</p> <p>CHK'D: MMATLA 2018/09/11</p> <p>APPR: MMATLA 2018/09/11</p> <p>INITIAL REVISION:</p> <p>DRWN: MKOWALCZYK01 2018/09/07</p> <p>APPR: MMATLA 2018/09/11</p> <p>MATERIAL NUMBER: SEE PART LIST CUSTOMER: GENERAL MARKET SHEET NUMBER: 2 OF 2</p>														
GENERAL TOLERANCES (UNLESS SPECIFIED)																								
ANGULAR TOL ± °																								
4 PLACES ±					EC NO: 604208																			
3 PLACES ±					DRWN: MKOWALCZYK01 2018/09/07																			
2 PLACES ± 0.05					CHK'D: MMATLA 2018/09/11																			
1 PLACE ± 0.3					APPR: MMATLA 2018/09/11																			
0 PLACES ± 0.5					INITIAL REVISION:																			
DRAFT WHERE APPLICABLE MUST REMAIN WITHIN DIMENSIONS					THIRD ANGLE PROJECTION															DRAWING				
A4-SIZE					SERIES															MATERIAL NUMBER				
130025					CUSTOMER					SHEET NUMBER														
2 OF 2																								

DOCUMENT STATUS	P1	RELEASE DATE	2018/09/11	07:18:45
-----------------	----	--------------	------------	----------

6

5

4

3

2

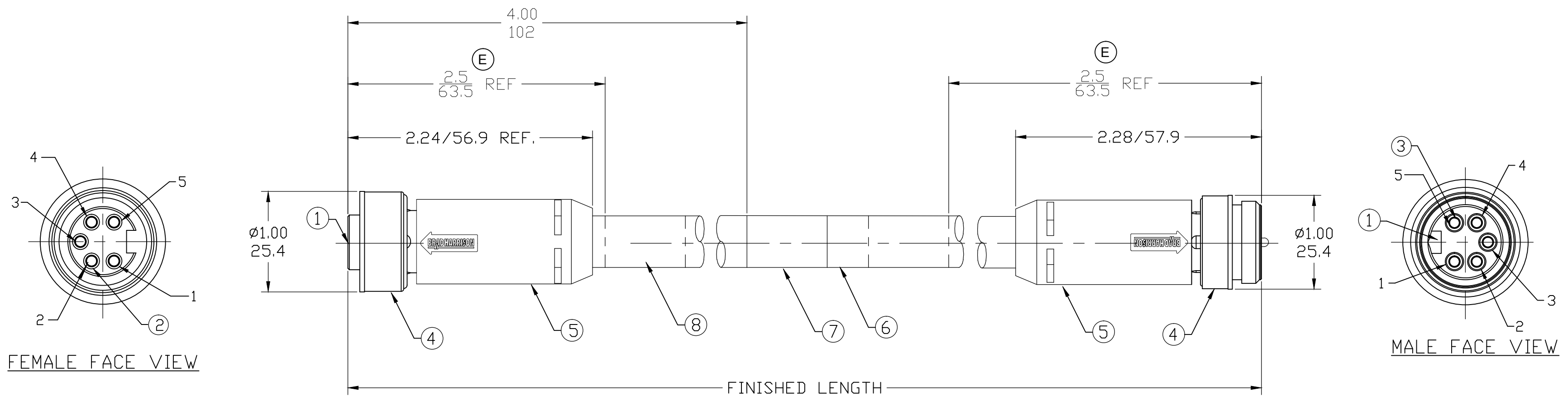
1

MATERIAL NUMBER	OLD PART NUMBER	FINISHED LENGTH
1300250048	DN11A-M003	0.3M
1300250051	DN11A-M005	0.5M
1300250054	DN11A-M010	1.0M
1300250061	DN11A-M020	2.0M
1300250067	DN11A-M030	3.0M

PART NUMBER LEGEND

DN11A-M003H
 FINISHED LENGTH: M005= 0.5 METER ID CARRIER
 M010= 1 METER H - SEE NOTE 9
 M100= 10 METER BLANK - NO ID CARRIER

CABLE LENGTH TOLERANCES	
>.3M [1FT]:	+19mm-0 [+ .75in-0]
.3 - .9M [1 - 3FT]:	+44.5mm-0 [+1.75in-0]
.9 - 1.8M [3 - 6FT]:	+55.6mm-0 [+2.19in-0]
1.8 - 3.7M [6 - 12FT]:	+88.9mm-0 [+3.50in-0]
3.7 - 7.3M [12 - 24FT]:	+165.1mm-0 [+6.50in-0]
7.3-14.6M [24 - 48FT]:	+317.5mm-0 [+12.50in-0]
14.6 - 30.5M [48-100FT]:	+622.3mm-0 [+24.50in-0]
OVER 30M [100FT]	+2% OF FINISHED LENGTH



SCHEMATIC

- 1 -> 1 - DRAIN
- 2 -> 2 - V+
- 3 -> 3 - V-
- 4 -> 4 - CAN_H
- 5 -> 5 - CAN_L

NOTES:

1. MATERIAL: AS NOTED
2. FINISH: AS NOTED
3. ELECTRICAL:
VOLTAGE RATING PER IEC 60664: 300V
VOLTAGE RATING PER UL: 300V
CURRENT: 8A
4. TEMP RATING: -25° TO +80°C
5. PROTECTION: IP67 (WHEN MATED)
6. COUPLING THREAD: 7/8-16
7. AGENCY:
UL RECOGNIZED, FILE: E152210
CSA CERTIFICATION FILE: LR6837
8. ALL DIMS ARE FOR REFERENCE UNLESS NOTED OTHERWISE
9. PART NUMBERS WITH "H" HAVE TWO ID MARKERS ONE ON EACH END

ITEM	COMPONENT	MATERIAL	FINISH
1	INSERTS	PVC	GRAY
2	CONTACT SOCKET	COPPER ALLOY	GOLD OVER NICKEL
3	CONTACT PIN	COPPER ALLOY	GOLD OVER NICKEL
4	COUPLING NUTS	ZINC DIE CAST	BLACK E-COATED
5	OVERMOLDS	PVC	GRAY
6	CABLE-DEVICENET THICK CABLE 2/15 & 2/18 SHIELD PAIR	PVC	GRAY
7	LABEL	VINYL	BLACK/YELLOW
8	ID CARRIER	PVC	CLEAR

ADD ID MARKERS EC NO: IFC2018-0458 DRWN: MZIELINS 2018/04/10 CHKD: --- APPR: BWOODMAN	QUALITY SYMBOL	GENERAL TOLERANCES (UNLESS SPECIFIED)	DIMENSION STYLE INCH/MM	SCALE --	DESIGN UNITS INCH	THIRD ANGLE PROJECTION
	▽=0 ∇=0	4 PLACES ±--- ±--- 3 PLACES ±--- ±--- 2 PLACES ±--- ±--- 1 PLACE ±--- ±---	mm INCH	DRAWN BY TWOLDEGE DATE 2011/05/26	TITLE	MINI CHANGE 5P M/MFE DEVICENET CORDSET
		ANGULAR ±---°	DRAFT WHERE APPLICABLE MUST REMAIN WITHIN DIMENSIONS	CHECKED BY VOU DATE ---	APPROVED BY --- DATE ---	MOLEX INCORPORATED
		SIZE C	THIS DRAWING CONTAINS INFORMATION THAT IS PROPRIETARY TO MOLEX INCORPORATED AND SHOULD NOT BE USED WITHOUT WRITTEN PERMISSION	MATERIAL NO. SEE CHART	DOCUMENT NO. SD-130025-001	SHEET NO. 1 OF 1

