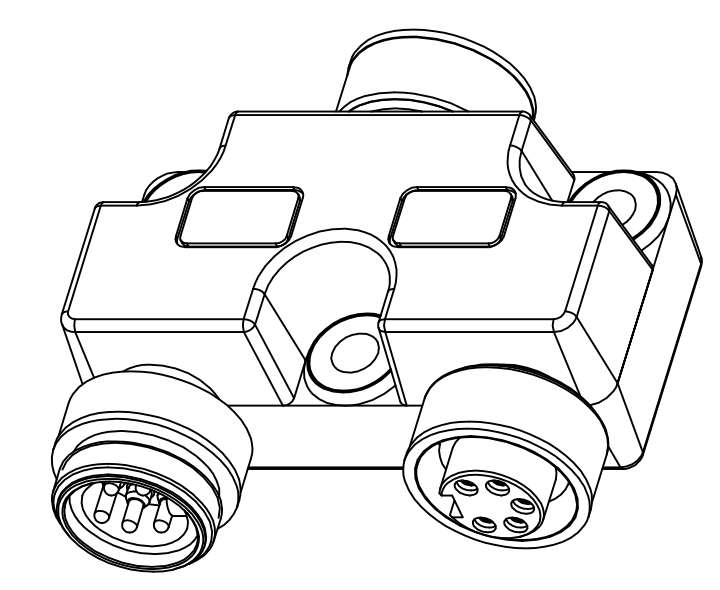
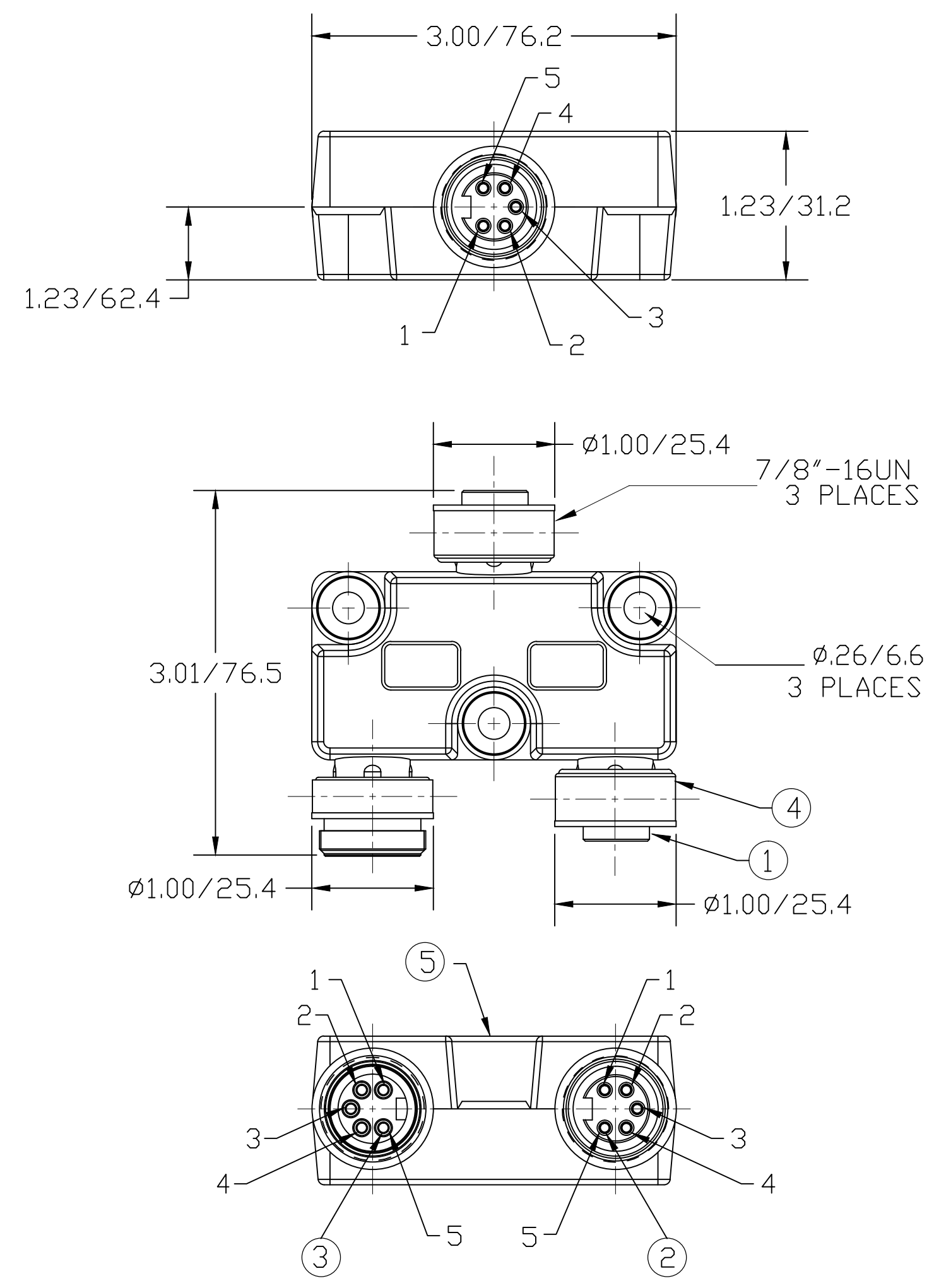
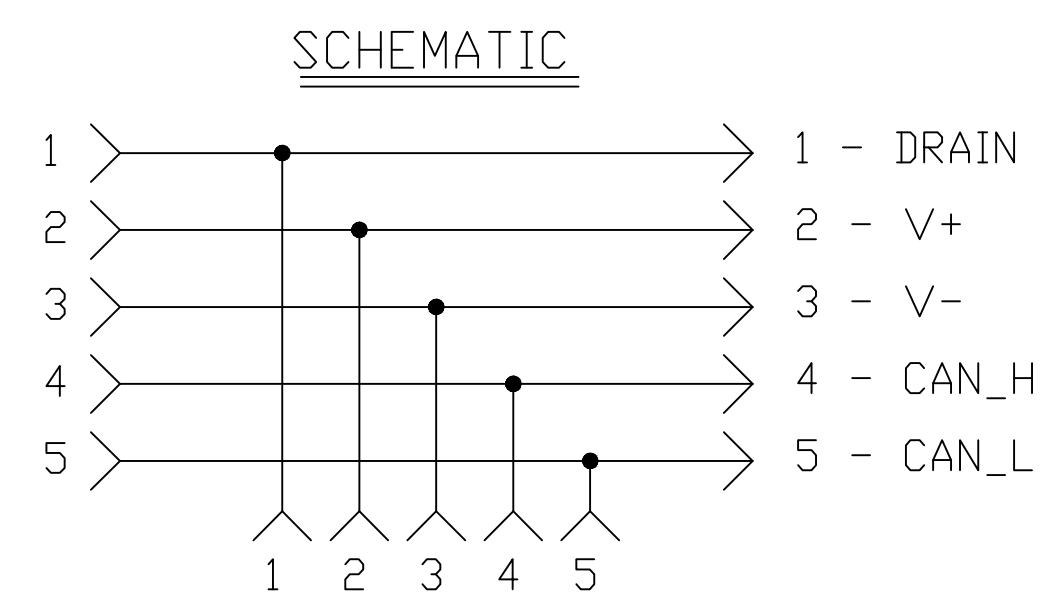


MATERIAL NUMBER	OLD PART NUMBER
130035-0071	DN3200



- NOTES: (B)
- MATERIAL: AS NOTED
 - FINISH: AS NOTED
 - ELECTRICAL:
VOLTAGE RATING PER IEC 60664: 400V
VOLTAGE RATING PER UL: 600V
CURRENT: 8A
 - TEMP RATING: -20° TO +80°C
 - PROTECTION: IP67 (WHEN MATED)
 - COUPLING THREAD- AS NOTED
 - AGENCY:
UL RECOGNIZED FILE: E152210
 - ALL DIMS ARE FOR REFERENCE UNLESS NOTED OTHERWISE



ITEM	COMPONENT	MATERIAL	FINISH
1	INSERT	TPE	GRAY
2	CONTACT SOCKET	COPPER ALLOY	GOLD OVER NICKEL
3	CONTACT PIN	COPPER ALLOY	GOLD OVER NICKEL
4	COUPLING NUT	ZINC DIE CAST	BLACK E-COATED
5	OVERMOLD	TPE	GRAY

UPDATE NOTES EC NO: IPG2018-0152 DRWN: AAKHTAR 2017/08/25 CHKD: RSTONE APPR: BWOODMAN2009/08/26	QUALITY SYMBOL ▽=0 ▽C=0	GENERAL TOLERANCES (UNLESS SPECIFIED) 4 PLACES ±-- ±-- 3 PLACES ±-- ±-- 2 PLACES ±- ±.01 1 PLACE ±0.3 ±-- ANGULAR ±---°	DIMENSION STYLE IN/MM DRAWN BY: BW DATE: 2009/08/24 CHECKED BY: JM DATE: 2009/08/24 APPROVED BY: JFMURPHY DATE: 2009/08/26	SCALE: --- DESIGN UNITS: METRIC THIRD ANGLE PROJECTION	
	DRAFT WHERE APPLICABLE MUST REMAIN WITHIN DIMENSIONS		MATERIAL NO.: 1300350057	TITLE: MINI 5-POLE TEE WYE DEVICENET MOLEX INCORPORATED	
	SIZE C		THIS DRAWING CONTAINS INFORMATION THAT IS PROPRIETARY TO MOLEX INCORPORATED AND SHOULD NOT BE USED WITHOUT WRITTEN PERMISSION		
			DOCUMENT NO.: SD-130035-007	SHEET NO.: 1 OF 1	