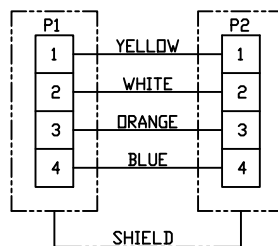
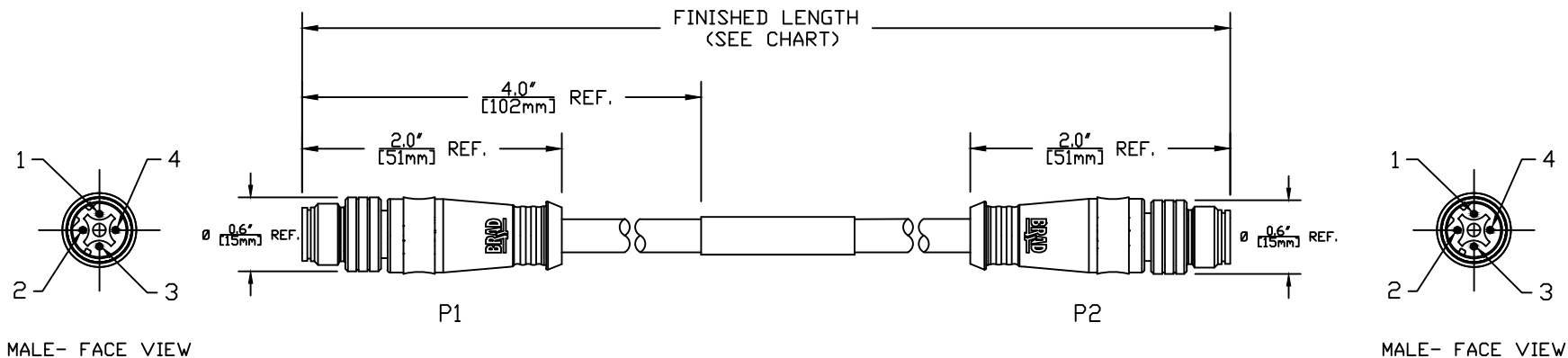


PART NUMBER	ENGINEERING NO.	LENGTH ± TOLERANCE
1300480114	E11A06010M010	3' 3" +2.19'/-0" [ 1M +55.6/-0 mm ]
1300480116	E11A06010M050	16' 4" +6.5'/-0" [ 5M +165.0/-0 mm ]



WIRING DIAGRAM

SPECIFICATION DATA

COMPONENT	MATERIAL	FINISH
LABEL	NYLON	BLACK/YELLOW
COUPLER	BRASS	NICKEL PLATED
CONTACT	COPPER ALLOY	Au OVER Ni
INSERT	PUR	BLACK
OVERMOLD	PUR	BLACK
CABLE-CAT5E	PUR	TEAL
VOLTAGE RATING:	30V	
AMPERAGE RATING:	1.5A	
PROTECTION CLASS:	IP 67	
OPERATING TEMPERATURE:	-20°C / 75°C	

RELEASE	QUALITY SYMBOLS
EC NO: IFC2014-0099	▽=0
DRWN: GGUSTAFS 12/27/13	▽C=0
CHKD: BARDEN	
APPR: BWOODMAN	
REV	
A	

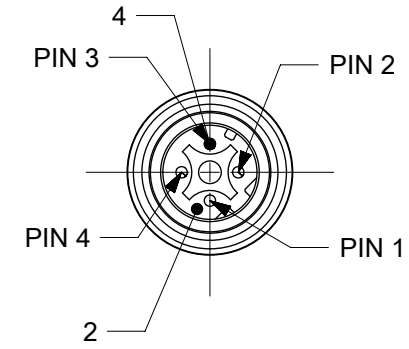
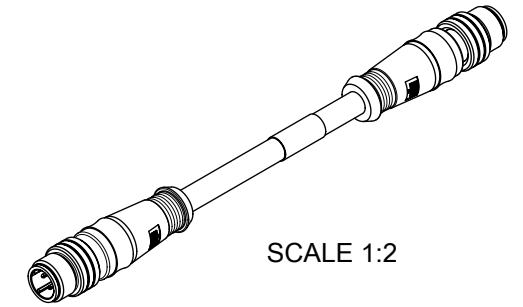
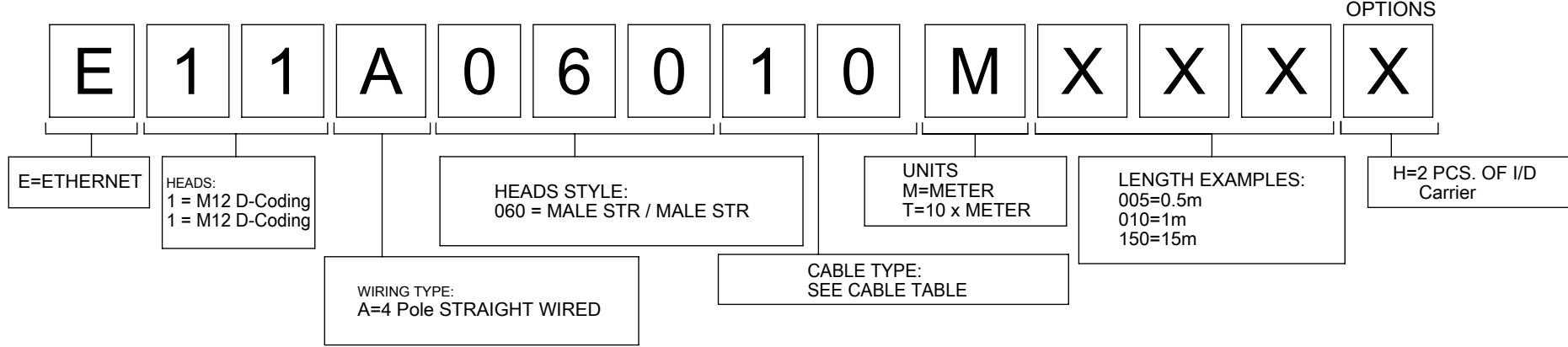
DESCRIPTION
GENERAL TOLERANCES (UNLESS SPECIFIED)
DRAFT WHERE APPLICABLE MUST REMAIN WITHIN DIMENSIONS

	DIMENSION STYLE	
	mm	INCH
4 PLACES	±---	±---
3 PLACES	±---	±.005
2 PLACES	±.13	±.010
1 PLACE	±.25	±.020
ANGULAR ±1/2°		

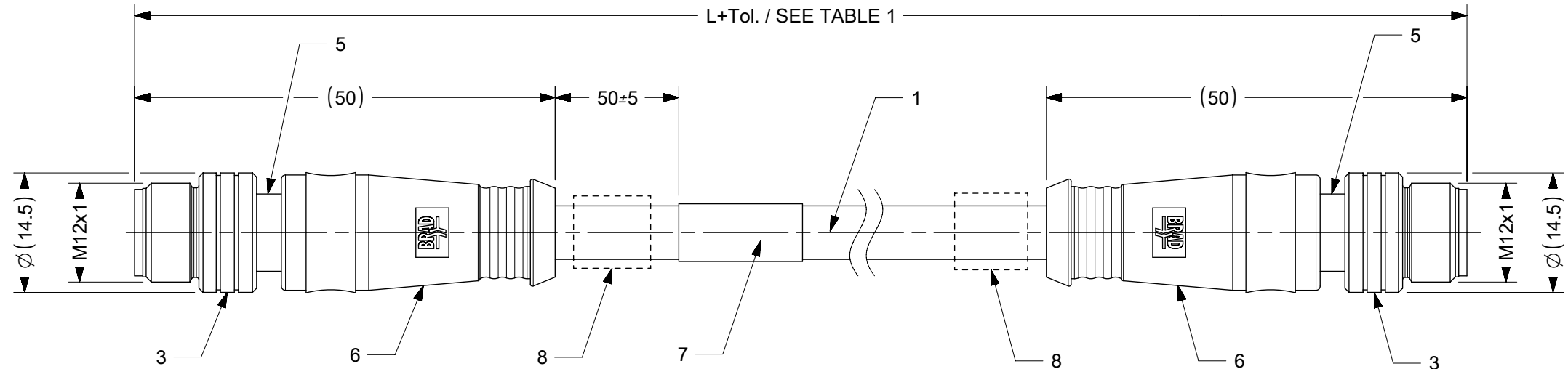
DRAWN BY		DATE
VOU		2009/07/06
CHECKED BY		DATE
BWOODMAN		2009/07/31
APPROVED BY		DATE
---		---
MATERIAL NO.		
SEE CHART		
SIZE	THIS DRAWING CONTAINS INFORMATION THAT IS PROPRIETARY TO MOLEX INCORPORATED AND SHOULD NOT BE USED WITHOUT WRITTEN PERMISSION	
A		

SCALE	DESIGN UNITS	THIRD ANGLE PROJECTION
NTS	INCH	☉ □
TITLE		
MICRO-CHANGE CABLE ASSY		
4P M/MP ST/ST D-CODE		
#22/4 SHIELDED PUR		
MOLEX INCORPORATED		
DOCUMENT NO.		SHEET NO.
SD-120108-019		1 OF 1

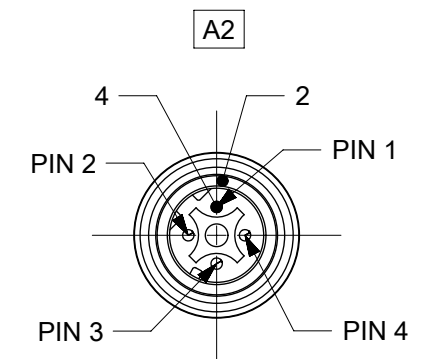
# PART No. MATRIX



VIEW FROM FRONT SIDE



WIRING DIAGRAM



VIEW FROM FRONT SIDE

**CONNECTOR SPECIFICATION :**  
 ACCORDING TO CAT5e ETHERNET STANDARD  
 MAX. VOLTAGE : 30V  
 MAX. CURRENT : 1.5A  
 PROTECTION CLASS : IP67  
 TEMPERATURE RANGE : -20°C TO -75°C



**NOTES :**  
 1. SHIELD CONNECTED WITH COUPLING NUTS.  
 2. IF IN ENG NO. MATRIX "H"- ID CARRIERS WILL BE ADDED

**BOM**

ITM	QTY.	DESCRIPTION	MATERIAL	FINISH
1	-	ETHERNET CABLE	PUR	GREEN
2	2	INSERT M12 MA 4P	PA 6	BLACK
3	2	NUT M12 MALE	BRASS	Ni-PLATED
4	8	CONTACT 10 MA	Cu/Ni2	Tinned
5	2	SLEEVE MALE	BRASS	Ni-PLATED
6	-	MOULDING MATERIAL	TPU	BLACK
7	1	LABEL	VINYL	WHITE
8	2	ID CARRIER (SEE NOTE 2)	PVC	TRANSPARENT

DOCUMENT STATUS | P1 | RELEASE DATE | 2018/09/27 14:36:53

**CABLE LENGTH TOLERANCE**

OVER [mm]	UP TO AND INCLUDING [mm]	TOLERANCES [mm]
0	305	+19
305	915	+45
915	1830	+56
1830	3660	+89
3660	7320	+165
7320	14640	+317
14640	30500	+610
30500	>	+2% of finished length

SYMBOLS	THIS DRAWING CONTAINS INFORMATION THAT IS PROPRIETARY TO MOLEX ELECTRONIC TECHNOLOGIES, LLC AND SHOULD NOT BE USED WITHOUT WRITTEN PERMISSION		CURRENT REV DESC:		
	DIMENSION UNITS	SCALE	EC NO: 605098		
▽ = 0	mm	1.5:1	DRWN: MCELEJEWSKI 2018/09/27		CSE M12/M12 MA/MA ST/ST XM PRODUCT CUSTOMER DRAWING
▽ = 0	GENERAL TOLERANCES (UNLESS SPECIFIED)		CHK'D: MIWASIECZKO 2018/09/27		
▽ = 0	ANGULAR TOL ± 1.0°		APPR: MIWASIECZKO 2018/09/27		
▽ = 0	4 PLACES ±		INITIAL REVISION:		
▽ = 0	3 PLACES ±		DRWN: DSTACHOWIAK 2014/09/02		
▽ = 0	2 PLACES ± 0.05		APPR: MIWASIECZKO 2014/09/04		
▽ = 0	1 PLACE ± 0.3		DOCUMENT NUMBER		
▽ = 0	0 PLACES ± 0.5		SD-130048-010		
▽ = 0	DRAFT WHERE APPLICABLE MUST REMAIN WITHIN DIMENSIONS		MATERIAL NUMBER		
THIRD ANGLE PROJECTION		DRAWING		CUSTOMER	
B-SIZE		SERIES		SHEET NUMBER	
130048		SEE SHEET 2		GENERAL MARKET	
1 OF 2					

CABLE TABLE

CABLE TYPE	WIRE GAUGE	CABLE JACKET	UL	CSA	PERMISSIBLE TEMP RANGE	TRANSPORT TEMP RANGE	DRAG CHAIN TESTED	SHIELD	OTHER
10 : CAT-5E ES	0.34mm <sup>2</sup>	PUR GREEN	E119100	-	-40°C TO +70°C	-50°C TO +70°C	5 MIO CYCLES	YES	UV-RESISTANT TENSILE STRENGTH ≤150N

PART LIST

MOLEX PN	ENGINEERING NO	LENGTH(mm)
1201088049	E11A06010M002	200
1300488053	E11A06010M005	500
1300480113	E11A06010M006	600
1300488054	E11A06010M008	800
1300480114	E11A06010M010	1000
1300488055	E11A06010M013	1300
1300480115	E11A06010M020	2000
1300488022	E11A06010M030	3000
1300488112	E11A06010M045	4500
1300480116	E11A06010M050	5000
1300488004	E11A06010M070	7000
1300488011	E11A06010M080	8000
1300480117	E11A06010M100	10000
1201088013	E11A06010M120	12000
1300480118	E11A06010M150	15000
1201088014	E11A06010M180	18000
1300488009	E11A06010M200	20000
1200490455	E11A06010M230	23000
1300488010	E11A06010M250	25000
1201080013	E11A06010M300	30000
1201088713	E11A06010M300H	30000
1201088015	E11A06010M380	38000
1201088016	E11A06010M460	46000
1201088017	E11A06010M530	53000
1300480119	E11A06010M600	60000
1200490458	E11A06010M800	80000
1201088002	E11A06010M900	90000

SYMBOLS	THIS DRAWING CONTAINS INFORMATION THAT IS PROPRIETARY TO MOLEX ELECTRONIC TECHNOLOGIES, LLC AND SHOULD NOT BE USED WITHOUT WRITTEN PERMISSION											
	DIMENSION UNITS		SCALE		CURRENT REV DESC:						<b>molex</b>	
	mm		1:1									
	▽ = 0		GENERAL TOLERANCES (UNLESS SPECIFIED)		EC NO: 605098 DRWN: MCELEJEWSKI 2018/09/27 CHK'D: MIWASIECZKO 2018/09/27 APPR: MIWASIECZKO 2018/09/27						CSE M12/M12 MA/MA ST/ST XM	
	▽ = 0		ANGULAR TOL ± 1.0°									
	▽ = 0		4 PLACES ±		INITIAL REVISION: DRWN: DSTACHOWIAK 2014/09/02 APPR: MIWASIECZKO 2014/09/04						DOCUMENT NUMBER <b>SD-130048-010</b>	
	▽ = 0		3 PLACES ±									
	▽ = 0		2 PLACES ± 0.05		MATERIAL NUMBER SEE PART LIST		CUSTOMER GENERAL MARKET		SHEET NUMBER 2 OF 2			
	▽ = 0		1 PLACE ± 0.3									
	▽ = 0		0 PLACES ± 0.5		THIRD ANGLE PROJECTION		DRAWING B-SIZE		SERIES 130048			
▽ = 0		DRAFT WHERE APPLICABLE MUST REMAIN WITHIN DIMENSIONS										