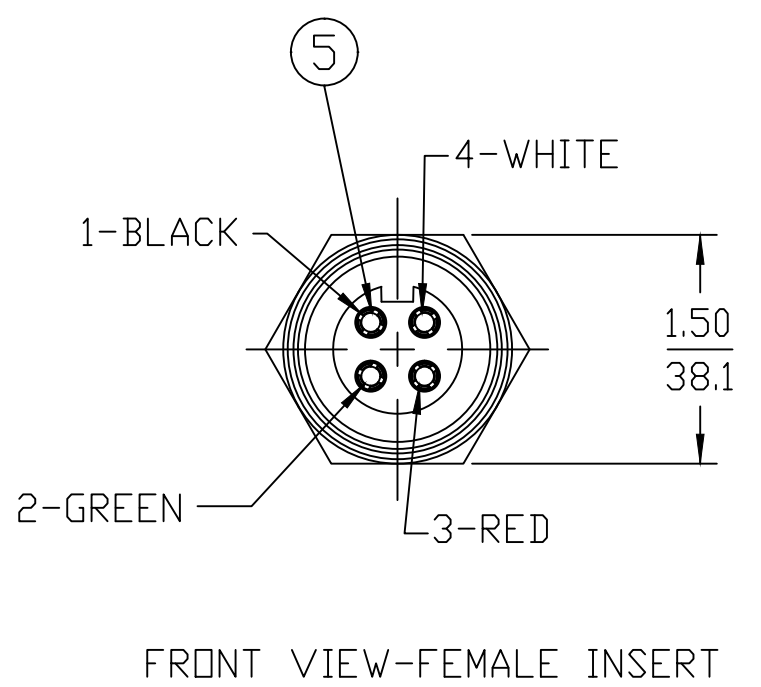
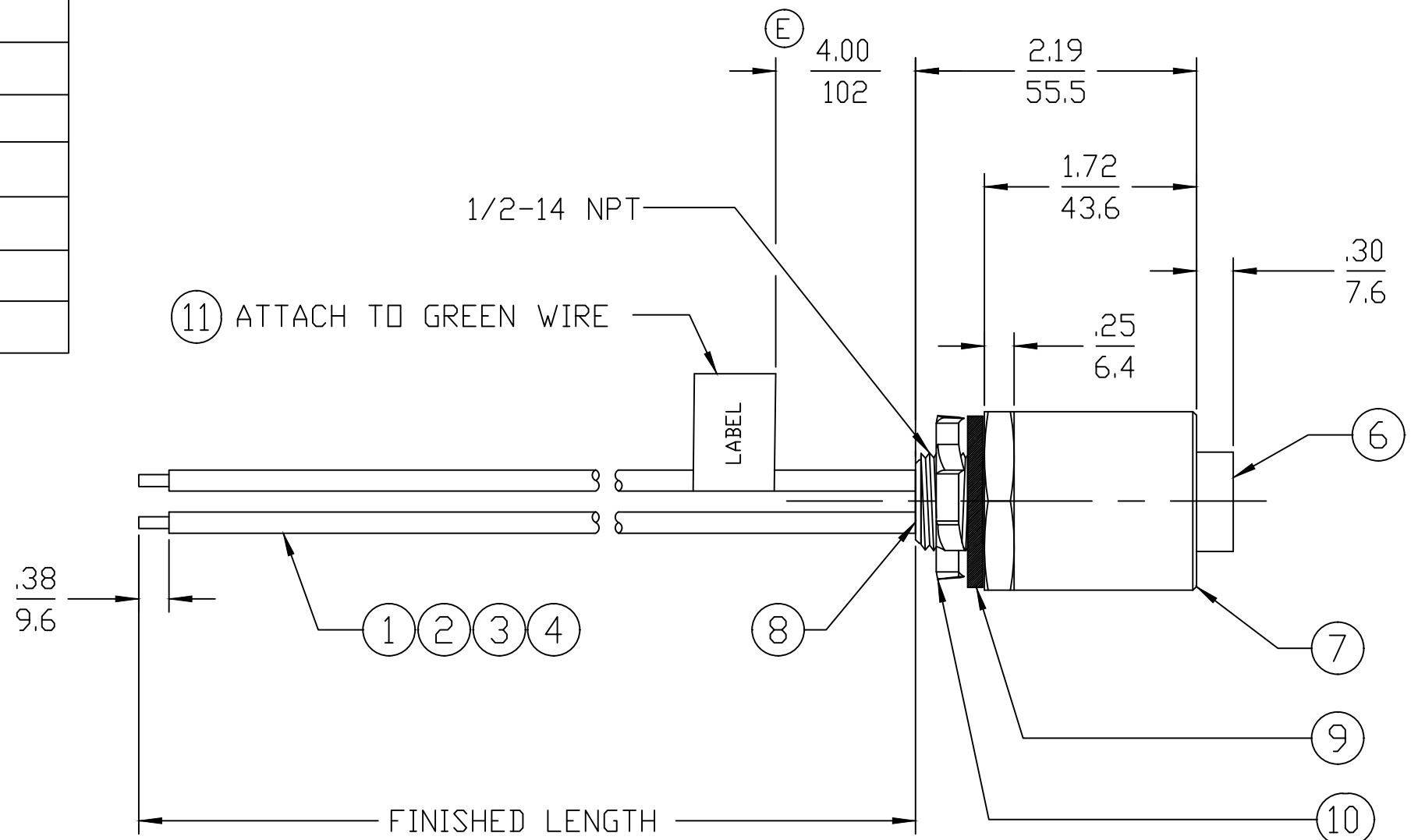
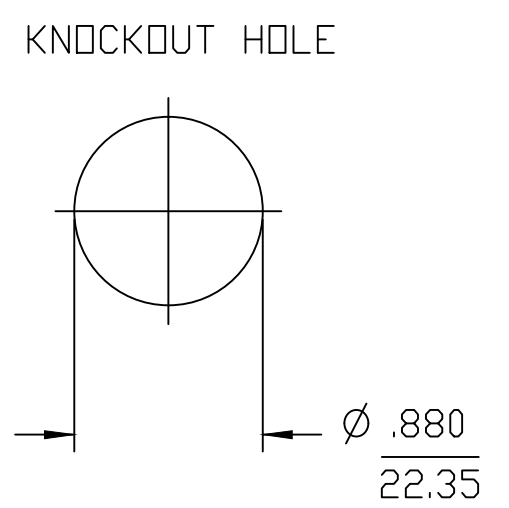


MATERIAL NO.	ENGINEERING NO.	FINISHED LENGTH
1300660237	CR4000A30M750	75 METERS
1300660165	CR4000A30M070	7 METERS
1300660164	CR4000A30M060	6 METERS
1300660163	CR4000A30M050	5 METERS
1300660162	CR4000A30M030	3 METERS
1300660160	CR4000A30M020	2 METERS
1300660159	CR4000A30M017	1.7 METERS
1300660158	CR4000A30M016	1.6 METERS
1300660157	CR4000A30M013	1.3 METERS
1300660156	CR4000A30M011	1.1 METERS
1300660154	CR4000A30M010	1 METERS
1300660153	CR4000A30M009	0.9 METERS
1300660152	CR4000A30M005	0.5 METERS
1300660150	CR4000A30M003	0.3 METERS
1300660149	CR4000A30A120	12 INCHES
1300662008	CR4000A30M040	4 METERS

CABLE LENGTH TOLERANCES  
>.3M [1FT]: +19mm-0 [+1.75in-0]  
.3 - .9M [1 - 3FT]: +44.5mm-0 [+1.75in-0]  
.9 - 1.8M [3 - 6FT]: +55.6mm-0 [+2.19in-0]  
1.8 - 3.7M [6 - 12FT]: +88.9mm-0 [+3.50in-0]  
3.7 - 7.3M [12 - 24FT]: +165.1mm-0 [+6.50in-0]  
7.3-14.6M [24 - 48FT]: +317.5mm-0 [+12.50in-0]  
14.6 - 30.5M [48-100FT]: +622.3mm-0 [+24.50in-0]  
OVER 30M [100FT] +2% OF FINISHED LENGTH



- NOTES:  
1. MATERIAL: AS NOTED  
2. FINISHES: AS NOTED  
3. ELECTRICAL SPECIFICATIONS  
VOLTAGE RATING: 500V PER IEC60664  
600V PER UL2237  
CURRENT RATING: 32 AMPS  
4. PROTECTION: IP67 (WHEN MATED)  
5. TEMP RANGE: -20°C TO +90°C  
6. AGENCY LISTING: E258922, PVVA  
7. ALL DIMS ARE FOR REFERENCE  
UNLESS NOTED OTHERWISE

PART NO. LEGEND  
CR4000A30M005

WIRE TYPE: 10 AWG PVC  
FINISHED LENGTH  
M005= 0.5 METER  
M010= 1 METER  
M100= 10 METERS  
A120= 12 INCHES

ITEM	DESCRIPTION	MATERIAL	FINISH
11	FLAG LABEL	VINYL	YELLOW
10	LOCK NUT	STEEL	ZINC PLATED
9	GASKET	NEOPRENE	BLACK
8	POTTING	EPOXY	BLACK
7	RECEPTACLE SHELL	ALUMINUM ALLOY	ANODIZED
6	FEMALE INSERT	PVC	BLACK
5	SOCKET CONTACT	COPPER	GOLD PLATED
4	#10-1 AWG UL1015 WIRE (E)	PVC JACKET	RED
3	#10-1 AWG UL1015 WIRE (E)	PVC JACKET	GREEN
2	#10-1 AWG UL1015 WIRE (E)	PVC JACKET	WHITE
1	#10-1 AWG UL1015 WIRE (E)	PVC JACKET	BLACK

REF. THIS DRAWING SUPERSEDES COCREATE REV. A

UL 1015 WAS THHN EC NO: IPG2019-0200 DRWN: JCAPPOZZ 2018/12/03 CHKD: RSTONE APPR: BWOODMAN2018/12/18 REV E	QUALITY SYMBOL	GENERAL TOLERANCES (UNLESS SPECIFIED)	DIMENSION STYLE IN/MM	SCALE 4:1	DESIGN UNITS INCH	THIRD ANGLE PROJECTION
	▽=0 ∇=0	4 PLACES ±--- ±--- 3 PLACES ±--- ±--- 2 PLACES ±--- ±--- 1 PLACE ±--- ±---	mm INCH	DRAWN BY JCAPPOZZ DATE 2018/12/03	TITLE	QC FEM 1/2" NPT 4 POLE AC RECEPTACLE 10 AWG
		ANGULAR ±---°	DRAFT WHERE APPLICABLE MUST REMAIN WITHIN DIMENSIONS	CHECKED BY RSTONE DATE ---		
				APPROVED BY BWOODMAN DATE 2018/12/18	MATERIAL NO. SEE P/N CHART	DOCUMENT NO. SD-130066-025

THIS DRAWING CONTAINS INFORMATION THAT IS PROPRIETARY TO MOLEX INCORPORATED AND SHOULD NOT BE USED WITHOUT WRITTEN PERMISSION