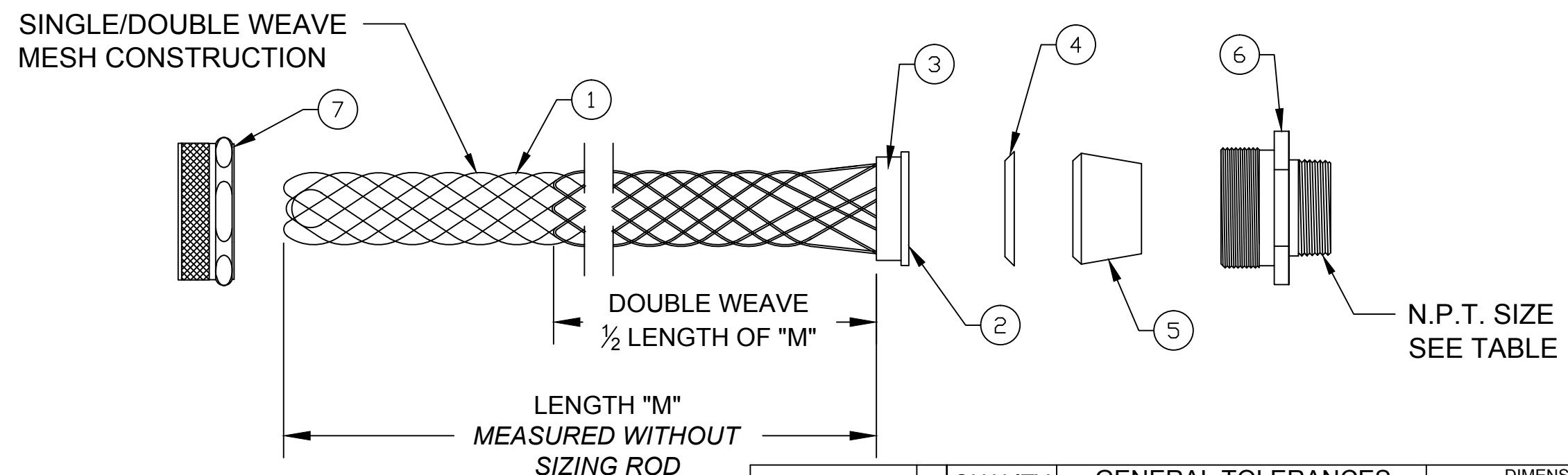
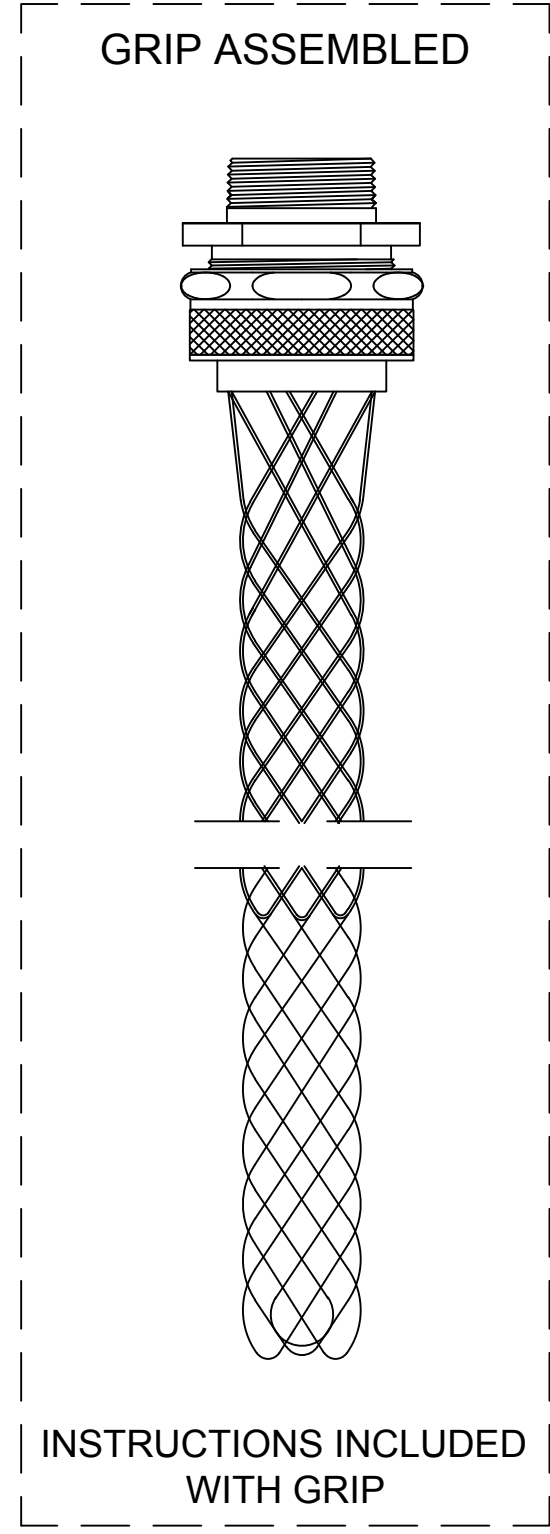


CATALOG NUMBER	MATERIAL NUMBER	CABLE RANGE	LENGTH "M"	N.P.T. FITTING SIZE	FORM SIZE	UL LISTED	CSA APPROVED	PRODUCT SELECTION NUMBER
36277	1300970181	.750-.875 / 19.05-22.23	9.500±1.000 / 241.30±25.40	1 1/4	5	---	☑	PG1014
36271	1300970175	.875-1.000 / 22.23-25.40	8.625±1.000 / 219.08±25.40			☑	☑	PG1016
36272	1300970176	1.000-1.125 / 25.40-28.58	9.000±1.000 / 228.60±25.40			☑	☑	PG1018
36273	1300970177	1.125-1.250 / 28.58-31.75	10.000±1.000 / 254.00±25.40			☑	☑	PG1020
36274	1300970178	1.250-1.375 / 31.75-34.925	12.000±1.000 / 304.80±25.40			☑	☑	PG1022
36278	1300970182	.750-.875 / 19.05-22.23	9.500±1.000 / 241.30±25.40	1 1/2	5	---	☑	PG1214
36475	1300970235	.875-1.000 / 22.23-25.40	8.625±1.000 / 219.08±25.40			☑	☑	PG1216
36476	1300970236	1.000-1.125 / 25.40-28.58	9.000±1.000 / 228.60±25.40			☑	☑	PG1218
36477	1300970237	1.125-1.250 / 28.58-31.75	10.000±1.000 / 254.00±25.40			☑	☑	PG1220
36478	1300970238	1.250-1.375 / 31.75-34.925	12.000±1.000 / 304.80±25.40		☑	☑	PG1222	
36479	1300970239	1.312-1.437 / 33.32-36.50	12.000±1.000 / 304.80±25.40		---	☑	PG1223	
36480	1300970240	1.437-1.562 / 36.50-39.67	13.125±1.000 / 333.38±25.40		---	☑	PG1225	
36481	1300970241	1.562-1.687 / 39.67-42.85	15.750±1.500 / 398.78±38.10		6	---	☑	PG1227
36482	1300970242	1.687-1.812 / 42.85-46.02	16.250±1.500 / 412.75±38.10			---	☑	PG1229
36483	1300970243	1.750-1.875 / 44.45-47.63	16.250±1.500 / 412.75±38.10			---	☑	PG1230
36484	1300970244	1.250-1.375 / 31.75-34.925	12.000±1.000 / 304.80±25.40	2		---	☑	PG1622
36279	1300970183	1.312-1.437 / 33.32-36.50	12.000±1.000 / 304.80±25.40			---	☑	PG1623
36485	1300970245	1.437-1.562 / 36.50-39.67	13.125±1.000 / 333.38±25.40			6	---	☑
36486	1300970246	1.562-1.687 / 39.67-42.85	15.750±1.500 / 398.78±38.10		---		☑	PG1627
36487	1300970247	1.687-1.812 / 42.85-46.02	16.250±1.500 / 412.75±38.10		---		☑	PG1629
36488	1300970248	1.750-1.875 / 44.45-47.63	16.250±1.500 / 412.75±38.10		7	---	☑	PG1630
36489	1300970249	1.812-1.937 / 46.02-49.20	16.250±1.500 / 412.75±38.10			---	☑	PG1631
36816	1300970292	1.937-2.062 / 49.20-52.37	16.250±1.500 / 412.75±38.10	---		☑	PG1633	
36287	1300970188	2.062-2.187 / 52.37-55.55	17.500±1.500 / 444.50±38.10	---		☑	PG1635	
36288	1300970189	2.187-2.312 / 55.55-58.72	17.500±1.500 / 444.50±38.10	---	☑	PG1637		
36289	1300970190	2.312-2.437 / 58.72-61.90	17.500±1.500 / 444.50±38.10	---	☑	PG1639		



ITEM	DESCRIPTION	MATERIAL
1	WIRE MESH	STAINLESS STEEL
2	INNER RING	ALUMINUM
3	OUTER RING	ALUMINUM
4	FRICTION RING	ZINC PLATED STEEL
5	GROMMET	RUBBER
6	THREADED BODY	ALUMINUM
7	COMPRESSION NUT	ALUMINUM

RELEASE SALES DWG
 EC NO.: ICG2014-2037
 DRWN: HRUIZ01 2014/10/20
 CHKD: HKNEELAN 2014/10/20
 APPR: JFMURPHY 2016/05/04

QUALITY SYMBOL
 ▽=0
 ▽C=0

DESCRIPTION
 REV
 A

GENERAL TOLERANCES (UNLESS SPECIFIED)

	mm	INCH
4 PLACES	±---	±---
3 PLACES	±---	±.005
2 PLACES	±.13	±.010
1 PLACE	±.25	±.020

ANGULAR ±1/2°

DRAFT WHERE APPLICABLE MUST REMAIN WITHIN DIMENSIONS

DIMENSION STYLE INCH/MM

SCALE NTS

DESIGN UNITS INCH

THIRD ANGLE PROJECTION

DRAWN BY HRUIZ01 DATE 2014/10/20

CHECKED BY HKNEELAN DATE 2014/10/20

APPROVED BY JFMURPHY DATE 2016/05/04

MATERIAL NO. SEE TABLE

SIZE C

TITLE
STRAIN RELIEF DELUXE STRAIGHT MALE 1-1/4" TO 2" N.P.T.

MOLEX INCORPORATED

DOCUMENT NO. SD-130097-104

SHEET NO. 1 OF 1

THIS DRAWING CONTAINS INFORMATION THAT IS PROPRIETARY TO MOLEX INCORPORATED AND SHOULD NOT BE USED WITHOUT WRITTEN PERMISSION