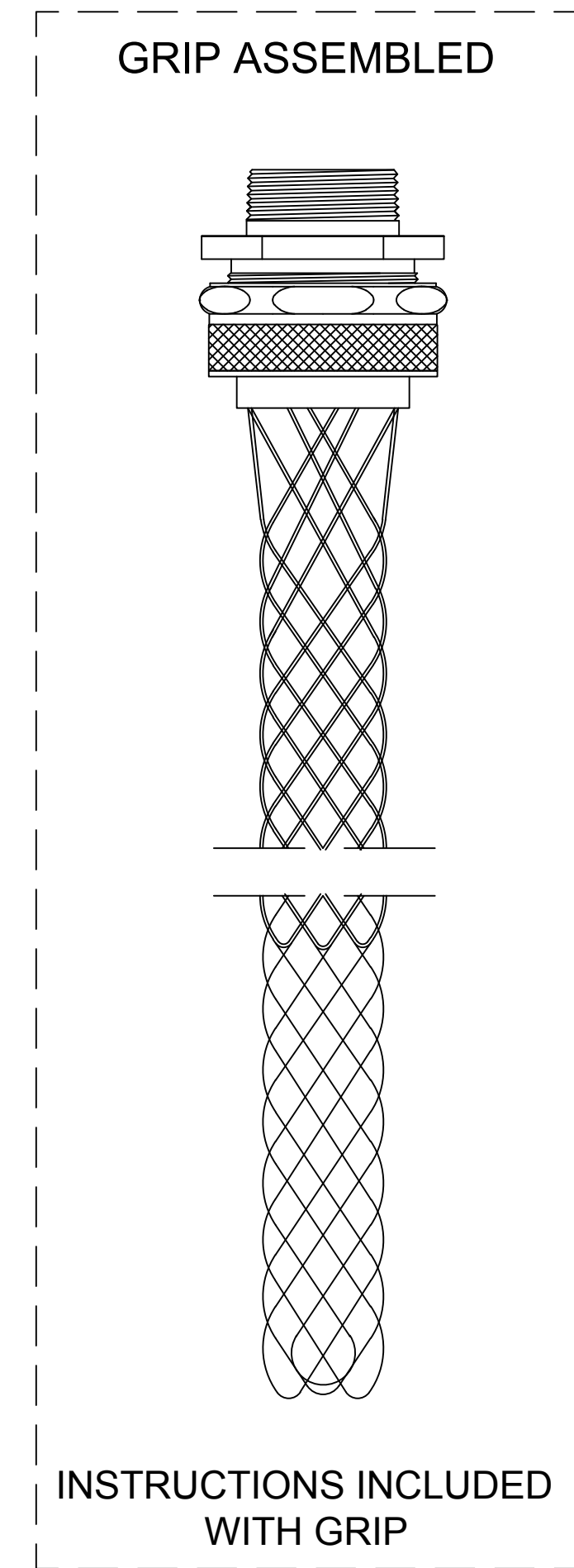
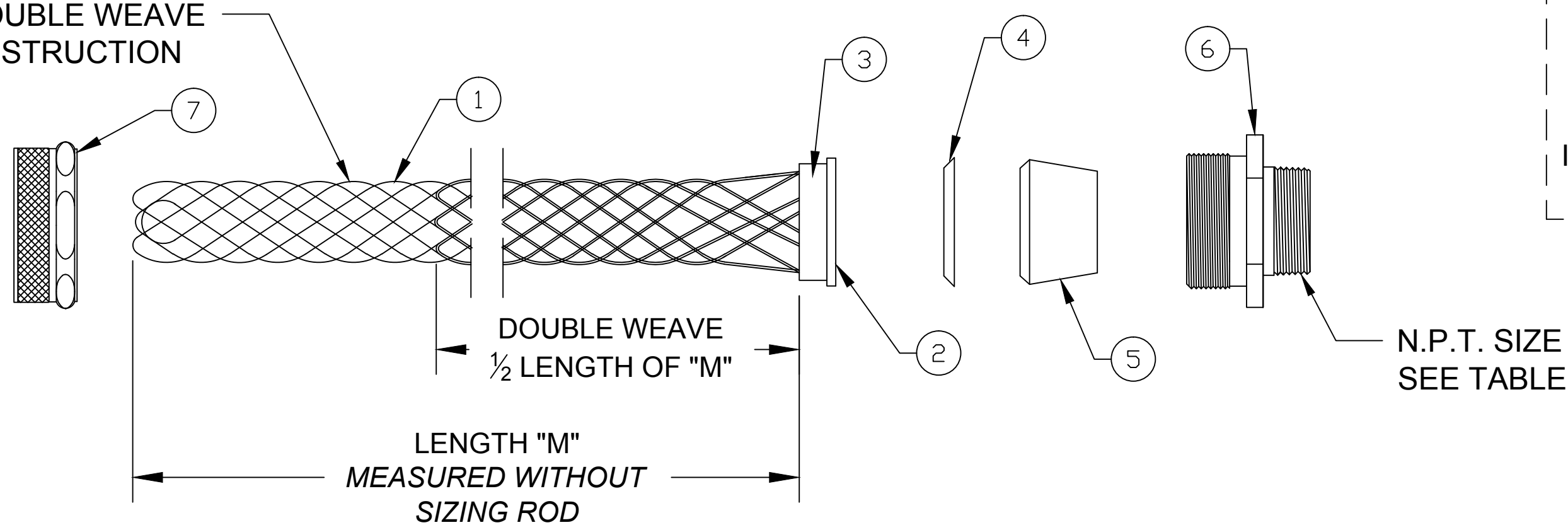


CATALOG NUMBER	MATERIAL NUMBER	CABLE RANGE	LENGTH "M"	N.P.T. FITTING SIZE	FORM SIZE	UL LISTED	CSA APPROVED	PRODUCT SELECTION NUMBER
36800	1300970276	1.688-1.812 / 42.88-46.02	16.000±1.500 / 406.40±38.10	2 1/2	7	---	☑	PG2029
36801	1300970277	1.812-1.937 / 46.02-49.20	16.250±1.500 / 412.75±38.10			---	☑	PG2031
36802	1300970278	1.937-2.062 / 49.20-52.37	16.250±1.500 / 412.75±38.10			---	☑	PG2033
36803	1300970279	2.062-2.187 / 52.37-55.55	17.500±1.500 / 444.50±38.10			---	☑	PG2035
36804	1300970280	2.187-2.312 / 55.55-58.72	17.500±1.500 / 444.50±38.10			---	☑	PG2037
36805	1300970281	2.312-2.437 / 58.72-61.90	17.500±1.500 / 444.50±38.10			---	☑	PG2039
36806	1300970282	1.688-1.812 / 42.88-46.02	16.000±1.500 / 406.40±38.10	3	7	---	☑	PG2429
36807	1300970283	1.812-1.937 / 46.02-49.20	16.250±1.500 / 412.75±38.10			---	☑	PG2431
36808	1300970284	1.937-2.062 / 49.20-52.37	16.250±1.500 / 412.75±38.10			---	☑	PG2433
36809	1300970285	2.062-2.187 / 52.37-55.55	17.500±1.500 / 444.50±38.10			---	☑	PG2435
36810	1300970286	2.187-2.312 / 55.55-58.72	17.500±1.500 / 444.50±38.10			---	☑	PG2437
36811	1300970287	2.312-2.437 / 58.72-61.90	17.500±1.500 / 444.50±38.10		---	☑	PG2439	
36812	1300970288	2.437-2.625 / 61.90-66.68	15.750±1.500 / 398.78±38.10		8	---	☑	PG2442
36813	1300970289	2.625-2.812 / 66.68-71.42	17.500±1.500 / 444.50±38.10			---	☑	PG2445
36814	1300970290	2.812-3.000 / 71.42-76.20	17.500±1.500 / 444.50±38.10			---	☑	PG2448
36815	1300970291	3.000-3.250 / 76.20-82.55	19.000±1.500 / 482.60±38.10			---	☑	PG2452



SINGLE/DOUBLE WEAVE MESH CONSTRUCTION



ITEM	DESCRIPTION	MATERIAL
1	WIRE MESH	STAINLESS STEEL
2	INNER RING	ALUMINUM
3	OUTER RING	ALUMINUM
4	FRICTION RING	ZINC PLATED STEEL
5	GROMMET	RUBBER
6	THREADED BODY	ALUMINUM
7	COMPRESSION NUT	ALUMINUM

RELEASE SALES DRAWING EC NO.: ICG2014-2037 DRWN: HRUIZ01 2014/10/20 CHKD: HKNEELAN 2014/10/13 APPR: JFMURPHY 2016/05/04	QUALITY SYMBOL	GENERAL TOLERANCES (UNLESS SPECIFIED)	DIMENSION STYLE INCH/MM	SCALE NTS	DESIGN UNITS INCH	THIRD ANGLE PROJECTION
	▽=0 ∇=0	4 PLACES ±--- ±--- 3 PLACES ±--- ±.005 2 PLACES ±.13 ±.010 1 PLACE ±.25 ±.020	mm INCH	DRAWN BY DATE HRUIZ01 2014/10/20	TITLE	STRAIN RELIEF DELUXE STRAIGHT MALE 2-1/2" TO 3" N.P.T.
		ANGULAR ±1/2°	CHECKED BY DATE HKNEELAN 2014/10/13	APPROVED BY DATE JFMURPHY 2016/05/04	MOLEX INCORPORATED	
		DRAFT WHERE APPLICABLE MUST REMAIN WITHIN DIMENSIONS	MATERIAL NO. SEE TABLE	SIZE C	DOCUMENT NO. SD-130097-105	SHEET NO. 1 OF 1
THIS DRAWING CONTAINS INFORMATION THAT IS PROPRIETARY TO MOLEX INCORPORATED AND SHOULD NOT BE USED WITHOUT WRITTEN PERMISSION						