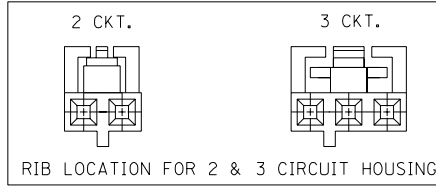


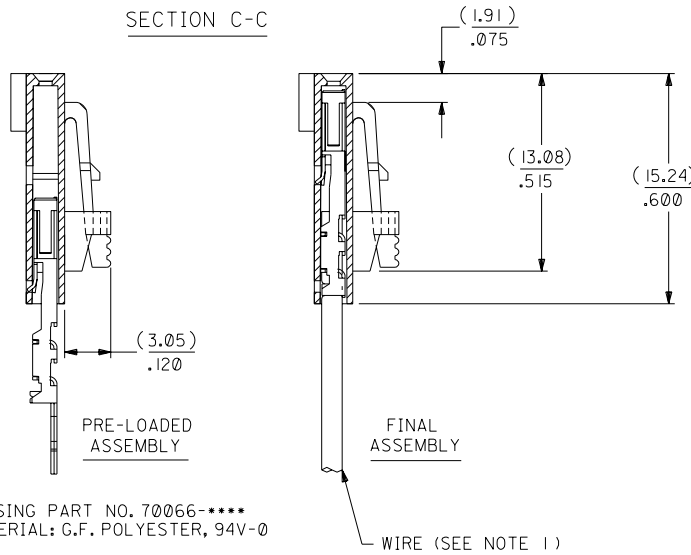
# OPTION G

## NOTES:

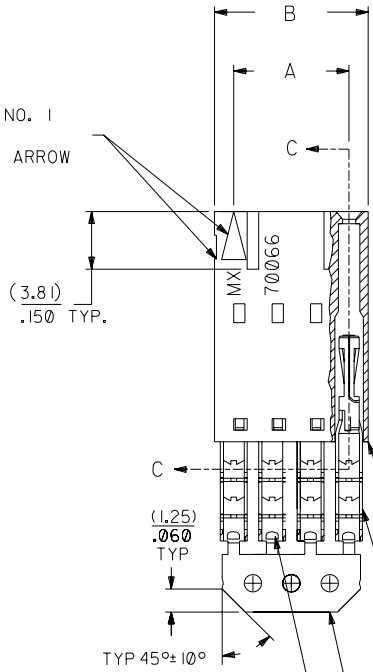
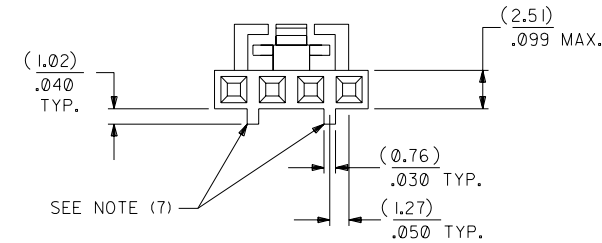
- TO BE USED WITH (22) AWG. STRANDED WIRE WITH (1.35)/.053 DIA. MAX. INSULATION.
- SEE CHART FOR CIRCUIT SIZES.
- STANDARD PACKAGING PER PK-70873-0001. OPTIONAL PACKAGING MAY BE AVAILABLE, REQUEST DWG. PK-70400
- PARTS STACKABLE END TO END ON (2.54)/.100 CENTERS.
- REFER TO PRODUCT SPECIFICATION: PS-70400.
- SEE DWG. SDA-70400-\*\*\*\* (SHT. 5) FOR OPTIONAL HOUSING DETAILS.
- 4 CIRCUIT SHOWN. 4 - 25 CKT'S. HAVE (2) RIBS.
- TO MATE WITH MOLEX PART NO'S.: A-70375-\*\*\*\*, A-70389-\*\*\*\*, A-70391-\*\*\*\*, 70107-\*\*\*\*, 70018-\*\*\*\*, A-70543-\*\*\*\*, A-70553-\*\*\*\*, A-70541-\*\*\*\*, A-70551-\*\*\*\*, A-70545-\*\*\*\*, A-70555-\*\*\*\*.
- 2 CIRCUIT ASSEMBLIES SUPPLIED AS GROUPED PAIRS.



## SECTION C-C



CIRCUIT NO. 1  
SLOT OR ARROW



HOUSING PART NO. 70066-\*\*\*\*  
MATERIAL: G.F. POLYESTER, 94V-0

TERMINAL PART NO. 70028-\*\*\*\*  
MATERIAL: PHOSPHOR BRONZE  
PLATING PER ES-88-\*\*\*

15 GOLD - .000015 MIN. GOLD IN SELECT AREA WITH .000075 MIN. TIN IN SELECT AREA OVER .000050 MIN. NICKEL OVER-ALL.

\*THE PRIMARY SHIPPING CARTON WILL BE LABELED "COMPLIANT TO ROHS DIRECTIVE 2002/95/EC AND ELV ANNEX II OF DIRECTIVE 2000/53/EC". CARTONS WITHOUT THIS LABEL MAY CONTAIN PRODUCT WITH LEAD.

I.D. SLOT CODE TO WIRE GAUGE CHART	
I.D. SLOT CODE	WIRE GAUGE
D	22 AWG.

PLATING CODE (STRIPE ON CARRIER STRIP)	
PLATING	COLOR
15 GOLD	YELLOW

CKT. SIZE	A	B	EDP. NO.	ENG. NO.
2	( 2.54 ) .100	( 5.05 ) .199	14-56-7027	A-70400-2976
3	( 5.08 ) .200	( 7.59 ) .299	14-56-7037	A-70400-2977
4	( 7.62 ) .300	( 10.13 ) .399	14-56-7047	A-70400-2978
5	( 10.16 ) .400	( 12.67 ) .499	14-56-7057	A-70400-2979
6	( 12.70 ) .500	( 15.21 ) .599	14-56-7067	A-70400-2980
7	( 15.24 ) .600	( 17.75 ) .699	14-56-7077	A-70400-2981
8	( 17.78 ) .700	( 20.29 ) .799	14-56-7087	A-70400-2982
9	( 20.32 ) .800	( 22.83 ) .899	14-56-7097	A-70400-2983
10	( 22.86 ) .900	( 25.37 ) .999	14-56-7107	A-70400-2984
11	( 25.54 ) 1.000	( 27.91 ) 1.099	14-56-7117	A-70400-2985
12	( 27.94 ) 1.100	( 30.45 ) 1.199	14-56-7127	A-70400-2986
13	( 30.48 ) 1.200	( 32.99 ) 1.299	14-56-7137	A-70400-2987
14	( 33.02 ) 1.300	( 35.53 ) 1.399	14-56-7147	A-70400-2988
15	( 35.56 ) 1.400	( 38.07 ) 1.499	14-56-7157	A-70400-2989
16	( 38.01 ) 1.500	( 40.61 ) 1.599	14-56-7167	A-70400-2990
17	( 40.64 ) 1.600	( 43.15 ) 1.699	14-56-7177	A-70400-2991
18	( 43.18 ) 1.700	( 45.69 ) 1.799	14-56-7187	A-70400-2992
19	( 45.72 ) 1.800	( 48.23 ) 1.899	14-56-7197	A-70400-2993
20	( 48.26 ) 1.900	( 50.77 ) 1.999	14-56-7207	A-70400-2994
21	( 50.80 ) 2.000	( 53.31 ) 2.099	14-56-7217	A-70400-2995
22	( 53.34 ) 2.100	( 55.85 ) 2.199	14-56-7227	A-70400-2996
23	( 55.88 ) 2.200	( 58.39 ) 2.299	14-56-7237	A-70400-2997
24	( 58.42 ) 2.300	( 60.93 ) 2.399	14-56-7247	A-70400-2998
25	( 60.96 ) 2.400	( 63.47 ) 2.499	14-56-7257	A-70400-2999

REV.	DATE	DESCRIPTION
EI		ADD CARRIER CHAMF ECN #UDT1998-0280 05/20/98 LMCCRATH
E		REVISED PER ECR# U00049 9-29-90 MGB
F		LEAD FREE UCP2004-1769 RWHITE 04/03/22
D		REVISED PER ECN# U90726 7-10-89 MGB
LTR.		REVISIONS

DIMENSIONS SHOWN (METRIC) INCH	
UNLESS OTHERWISE SPECIFIED TOLERANCES: ANGULAR ± 1/2°	
INCH	METRIC
3 PLACE ± .010	---
2 PLACE ± .014	± 0.25
1 PLACE ---	± 0.35

MFG. SH. REV.	
REVISE ONLY ON CAD SYSTEM	
TITLE	
ASSEMBLY, SL CONNECTOR (SINGLE ROW- (2.54)/.100 GRID)	
MOLEX INCORPORATED SHEET NO. DATE 10/26/87	
LITSE, ILL. 60532 U.S.A.	
PART NO. DRWG. NO. SDA-70400-2976-2999	
SEE CHART	
FILE NAME 74002976.DGN	THIS DRAWING CONTAINS INFORMATION THAT IS PROPRIETARY TO MOLEX INC. AND SHOULD NOT BE USED WITHOUT WRITTEN PERMISSION.
APP'D. BY AAB	CHK'D. BY WAZ
SCALE 4:1	DIV. SIZE DA C