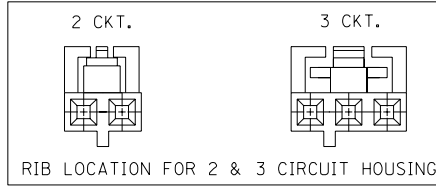


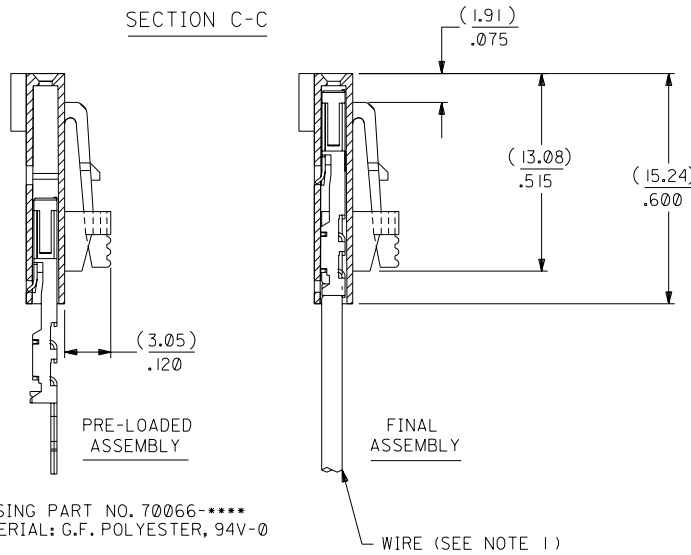
# OPTION G

## NOTES:

- TO BE USED WITH (24) AWG. STRANDED WIRE WITH (1.35)/.053 DIA. MAX. INSULATION.
- SEE CHART FOR CIRCUIT SIZES.
- STANDARD PACKAGING PER PK-70400-0001. OPTIONAL PACKAGING MAY BE AVAILABLE, REQUEST DWG. PK-70400
- PARTS STACKABLE END TO END ON (2.54)/.100 CENTERS.
- REFER TO PRODUCT SPECIFICATION: PS-70400.
- SEE DWG. SDA-70400-0001 (SHT. 5) FOR OPTIONAL HOUSING DETAILS.
- 4 CIRCUIT SHOWN. 4 - 25 CKT'S. HAVE (2) RIBS.
- TO MATE WITH MOLEX PART NO'S.: A-70373-0001, A-70375-0001, A-70389-0001, A-70391-0001, 70107-0001, 70018-0001, A-70543-0001, A-70553-0001, A-70541-0001, A-70551-0001, A-70545-0001, A-70555-0001.
- 2 CIRCUIT ASSEMBLIES SUPPLIED AS GROUPED PAIRS.



## SECTION C-C

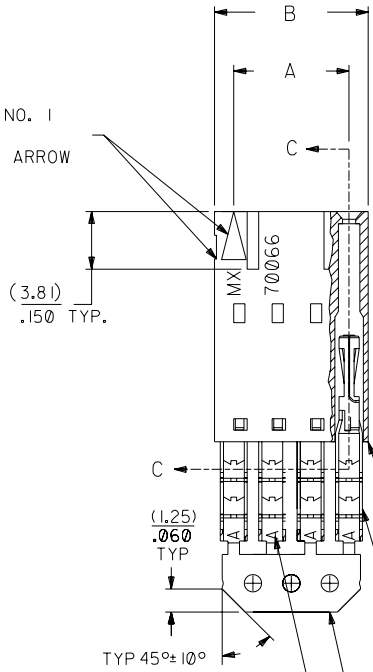
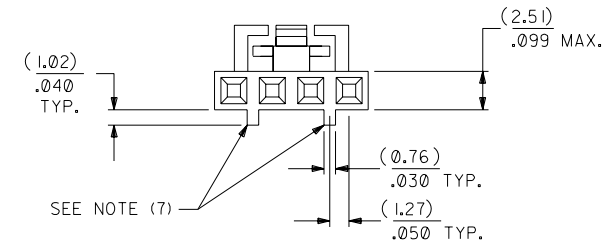


HOUSING PART NO. 70066-0001  
MATERIAL: G.F. POLYESTER, 94V-0

TERMINAL PART NO. 70028-0001  
MATERIAL: PHOSPHOR BRONZE  
PLATING PER ES-88-0001

TIN - .000150 MIN. TIN OVER  
.000050 MIN. NICKEL PLATE.

CIRCUIT NO. 1  
SLOT OR ARROW



I.D. SLOT CODE TO WIRE GAUGE CHART	
I.D. SLOT CODE	WIRE GAUGE
A	24 AWG.

PLATING CODE (STRIPE ON CARRIER STRIP)	
PLATING	COLOR
TIN	NONE

CKT. SIZE	A	B	EDP. NO.	ENG. NO.
2	( 2.54 ) .100	( 5.05 ) .199	14-60-0022	A-70400-0141
3	( 5.08 ) .200	( 7.59 ) .299	14-60-0032	A-70400-0142
4	( 7.62 ) .300	( 10.13 ) .399	14-60-0042	A-70400-0143
5	( 10.16 ) .400	( 12.67 ) .499	14-60-0052	A-70400-0144
6	( 12.70 ) .500	( 15.21 ) .599	14-60-0062	A-70400-0145
7	( 15.24 ) .600	( 17.75 ) .699	14-60-0072	A-70400-0146
8	( 17.78 ) .700	( 20.29 ) .799	14-60-0082	A-70400-0147
9	( 20.32 ) .800	( 22.83 ) .899	14-60-0092	A-70400-0148
10	( 22.86 ) .900	( 25.37 ) .999	14-60-0102	A-70400-0149
11	( 25.54 ) 1.000	( 27.91 ) 1.099	14-60-0112	A-70400-0150
12	( 27.94 ) 1.100	( 30.45 ) 1.199	14-60-0122	A-70400-0151
13	( 30.48 ) 1.200	( 32.99 ) 1.299	14-60-0132	A-70400-0152
14	( 33.02 ) 1.300	( 35.53 ) 1.399	14-60-0142	A-70400-0153
15	( 35.56 ) 1.400	( 38.07 ) 1.499	14-60-0152	A-70400-0154
16	( 38.01 ) 1.500	( 40.61 ) 1.599	14-60-0162	A-70400-0155
17	( 40.64 ) 1.600	( 43.15 ) 1.699	14-60-0172	A-70400-0156
18	( 43.18 ) 1.700	( 45.69 ) 1.799	14-60-0182	A-70400-0157
19	( 45.72 ) 1.800	( 48.23 ) 1.899	14-60-0192	A-70400-0158
20	( 48.26 ) 1.900	( 50.77 ) 1.999	14-60-0202	A-70400-0159
21	( 50.80 ) 2.000	( 53.31 ) 2.099	14-60-0212	A-70400-0160
22	( 53.34 ) 2.100	( 55.85 ) 2.199	14-60-0222	A-70400-0161
23	( 55.88 ) 2.200	( 58.39 ) 2.299	14-60-0232	A-70400-0162
24	( 58.42 ) 2.300	( 60.93 ) 2.399	14-60-0242	A-70400-0163
25	( 60.96 ) 2.400	( 63.47 ) 2.499	14-60-0252	A-70400-0164

\*THE PRIMARY SHIPPING CARTON WILL BE LABELED "COMPLIANT TO ROHS DIRECTIVE 2002/95/EC AND ELV ANNEX II OF DIRECTIVE 2000/53/EC". CARTONS WITHOUT THIS LABEL MAY CONTAIN PRODUCT WITH LEAD.

ADD CARRIER CHAMF ECN #UDT1998-0280 05/20/98 LMCGRATH		DIMENSIONS SHOWN (METRIC) INCH UNLESS OTHERWISE SPECIFIED TOLERANCES: ANGULAR ± 1/2°		REVISIONS ONLY ON CAD SYSTEM	
164 PLATING WAS PER ECR # U30941 07/14/93 REED		3 PLACE ± .010 --- 2 PLACE ± .014 ± 0.25 1 PLACE --- ± 0.35		TITLE ASSEMBLY, SL CONNECTOR (SINGLE ROW- (2.54)/.100 GRID)	
LEAD FREE UCP2004-1769 RWHITE 04/03/17		DRAWING WHERE APPLICABLE MUST REMAIN WITHIN DIMENSIONS		MOLEX INCORPORATED LITSE, ILL. 60532 U.S.A.	
REVISED PER ECR# U00049 9-27-90 MCB		DRAWG. BY: WAZ CHK'D. BY: WAZ SCALE: 4:1		SHEET NO. DATE 10/09/84	
LTR. REVISIONS		FILE NAME S704000CX1		PART NO. DRWG. NO. SDA-70400-0141-0164	
LTR. REVISIONS		THIS DRAWING CONTAINS INFORMATION THAT IS PROPRIETARY TO MOLEX INC. AND SHOULD NOT BE USED WITHOUT WRITTEN PERMISSION.		DIV. SIZE DA C	