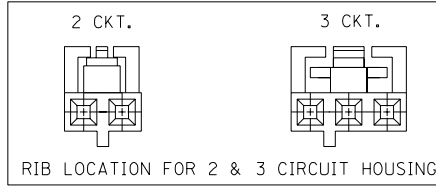


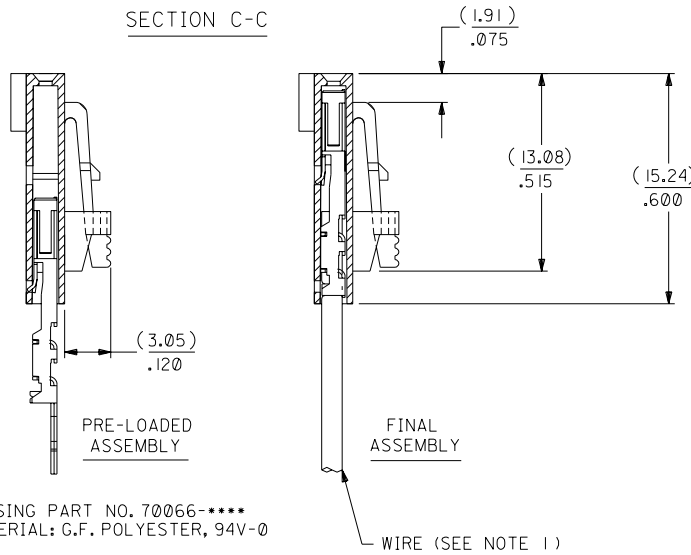
OPTION G

NOTES:

- TO BE USED WITH (24) AWG. STRANDED WIRE WITH (1.35)/.053 DIA. MAX. INSULATION.
- SEE CHART FOR CIRCUIT SIZES.
- STANDARD PACKAGING PER PK-70400-0001. OPTIONAL PACKAGING MAY BE AVAILABLE, REQUEST DWG. PK-70400
- PARTS STACKABLE END TO END ON (2.54)/.100 CENTERS.
- REFER TO PRODUCT SPECIFICATION: PS-70400.
- SEE DWG. SDA-70400-0001 (SHT. 5) FOR OPTIONAL HOUSING DETAILS.
- 4 CIRCUIT SHOWN. 4 - 25 CKT'S. HAVE (2) RIBS.
- TO MATE WITH MOLEX PART NO'S.: A-70373-0001, A-70375-0001, A-70389-0001, A-70391-0001, 70107-0001, 70018-0001, A-70543-0001, A-70553-0001, A-70541-0001, A-70551-0001, A-70545-0001, A-70555-0001.
- 2 CIRCUIT ASSEMBLIES SUPPLIED AS GROUPED PAIRS.



SECTION C-C

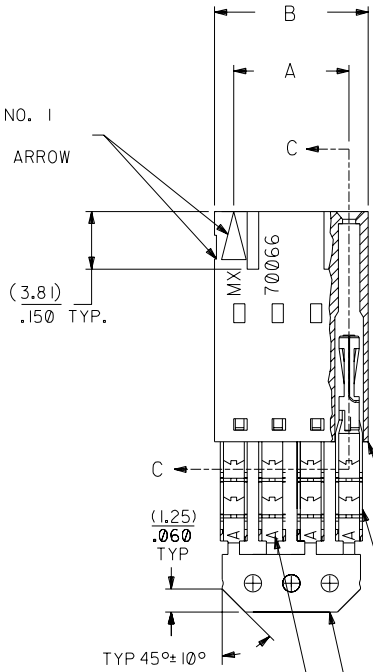
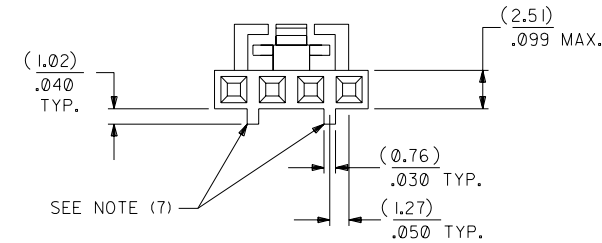


HOUSING PART NO. 70066-0001
MATERIAL: G.F. POLYESTER, 94V-0

TERMINAL PART NO. 70028-0001
MATERIAL: PHOSPHOR BRONZE
PLATING PER ES-88-0001

TIN - .000150 MIN. TIN OVER
.000050 MIN. NICKEL PLATE.

CIRCUIT NO. 1
SLOT OR ARROW



I.D. SLOT CODE TO WIRE GAUGE CHART	
I.D. SLOT CODE	WIRE GAUGE
A	24 AWG.

PLATING CODE (STRIPE ON CARRIER STRIP)	
PLATING	COLOR
TIN	NONE

CKT. SIZE	A	B	EDP. NO.	ENG. NO.
2	(2.54) .100	(5.05) .199	14-60-0022	A-70400-0141
3	(5.08) .200	(7.59) .299	14-60-0032	A-70400-0142
4	(7.62) .300	(10.13) .399	14-60-0042	A-70400-0143
5	(10.16) .400	(12.67) .499	14-60-0052	A-70400-0144
6	(12.70) .500	(15.21) .599	14-60-0062	A-70400-0145
7	(15.24) .600	(17.75) .699	14-60-0072	A-70400-0146
8	(17.78) .700	(20.29) .799	14-60-0082	A-70400-0147
9	(20.32) .800	(22.83) .899	14-60-0092	A-70400-0148
10	(22.86) .900	(25.37) .999	14-60-0102	A-70400-0149
11	(25.54) 1.000	(27.91) 1.099	14-60-0112	A-70400-0150
12	(27.94) 1.100	(30.45) 1.199	14-60-0122	A-70400-0151
13	(30.48) 1.200	(32.99) 1.299	14-60-0132	A-70400-0152
14	(33.02) 1.300	(35.53) 1.399	14-60-0142	A-70400-0153
15	(35.56) 1.400	(38.07) 1.499	14-60-0152	A-70400-0154
16	(38.01) 1.500	(40.61) 1.599	14-60-0162	A-70400-0155
17	(40.64) 1.600	(43.15) 1.699	14-60-0172	A-70400-0156
18	(43.18) 1.700	(45.69) 1.799	14-60-0182	A-70400-0157
19	(45.72) 1.800	(48.23) 1.899	14-60-0192	A-70400-0158
20	(48.26) 1.900	(50.77) 1.999	14-60-0202	A-70400-0159
21	(50.80) 2.000	(53.31) 2.099	14-60-0212	A-70400-0160
22	(53.34) 2.100	(55.85) 2.199	14-60-0222	A-70400-0161
23	(55.88) 2.200	(58.39) 2.299	14-60-0232	A-70400-0162
24	(58.42) 2.300	(60.93) 2.399	14-60-0242	A-70400-0163
25	(60.96) 2.400	(63.47) 2.499	14-60-0252	A-70400-0164

*THE PRIMARY SHIPPING CARTON WILL BE LABELED "COMPLIANT TO ROHS DIRECTIVE 2002/95/EC AND ELV ANNEX II OF DIRECTIVE 2000/53/EC". CARTONS WITHOUT THIS LABEL MAY CONTAIN PRODUCT WITH LEAD.

ADD CARRIER CHAMF ECN #UDT1998-0280 05/20/98 LMCGRATH		DIMENSIONS SHOWN (METRIC) INCH UNLESS OTHERWISE SPECIFIED TOLERANCES: ANGULAR ± 1/2°		▽ = 0 ▼ = 0 REVISE ONLY ON CAD SYSTEM	
164 PLATING WAS PER ECR # U30941 07/14/93 REED		INCH METRIC 3 PLACE ± .010 --- 2 PLACE ± .014 ± 0.25 1 PLACE --- ± 0.35		TITLE ASSEMBLY, SL CONNECTOR (SINGLE ROW- (2.54)/.100 GRID)	
LEAD FREE UCP2004-1769 RWHITE 04/03/17		DRAFT WHERE APPLICABLE MUST REMAIN WITHIN DIMENSIONS		MOLEX INCORPORATED SHEET NO. DATE LITSE, ILL. 60532 U.S.A. 10/09/84	
REVISED PER ECR# U00049 9-27-90 MCB		DRAWG. BY WAZ CHK'D. BY WAZ APP'D. BY SCALE 4:1		PART NO. SDA-70400-0141-0164 SEE CHART	
LTR. REVISIONS		LTR. REVISIONS		THIS DRAWING CONTAINS INFORMATION THAT IS PROPRIETARY TO MOLEX INC. AND SHOULD NOT BE USED WITHOUT WRITTEN PERMISSION.	