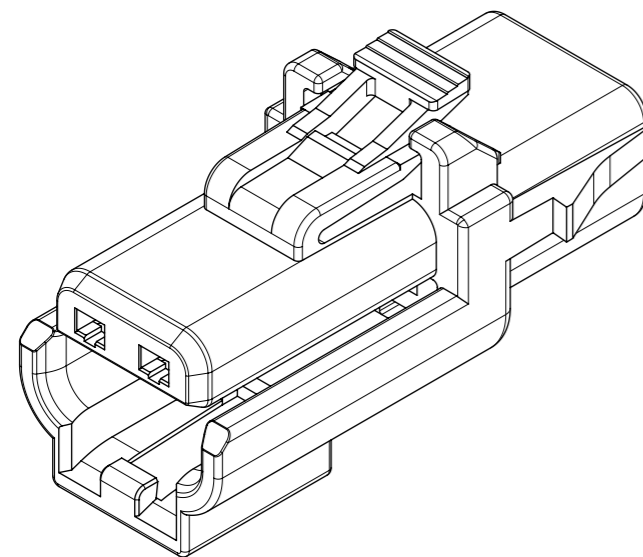
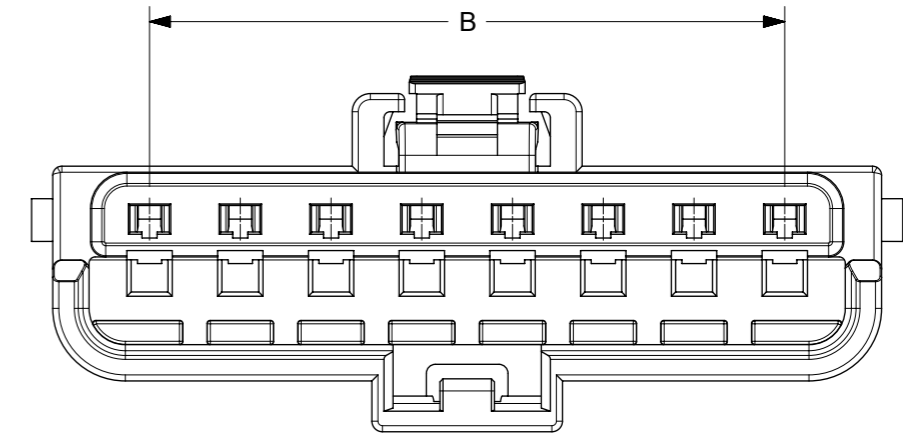
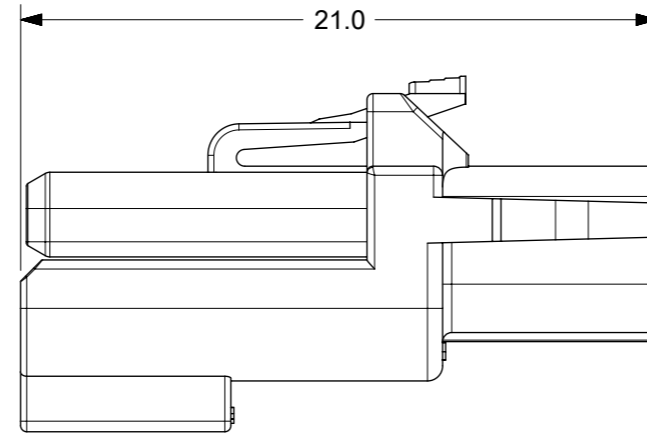
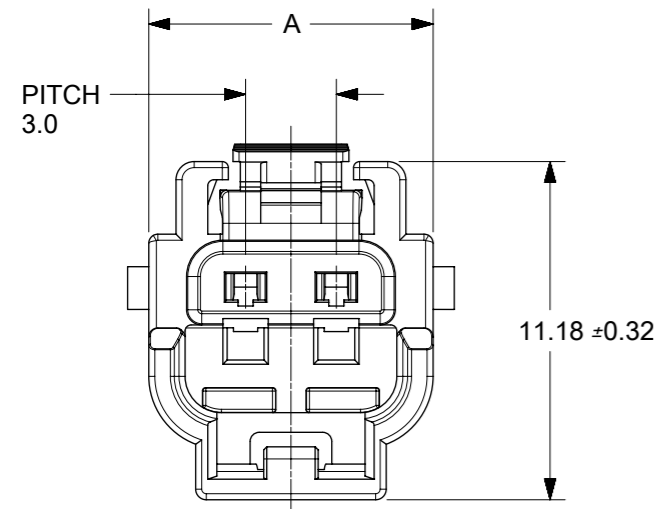


NOTES:

1. MATERIAL:
PA66, UL 94V-0
COLOR: NATURAL(WHITE)
2. USE CRIMP TERMINAL SERIES 150185, 150197 & 150200
3. PART MATES WITH IDENTICAL HOUSING (SERIES 150170)
4. PRODUCT SPECIFICATION PS-150197-0000
5. PACKAGING SPECIFICATION PK-150170-0000
6. COSMETIC SPECIFICATION: PS-45499-002 CLASS B



PART NUMBER	CIRCUIT SIZE	A ±0.35	B
1501700002	2	9.3	3.0
1501700003	3	12.3	6.0
1501700004	4	15.3	9.0
1501700005	5	18.3	12.0
1501700006	6	21.3	15.0
1501700007	7	24.3	18.0
1501700008	8	27.3	21.0

THIS DRAWING CONTAINS INFORMATION THAT IS PROPRIETARY TO MOLEX ELECTRONIC TECHNOLOGIES, LLC AND SHOULD NOT BE USED WITHOUT WRITTEN PERMISSION

RE-MASTERED IN ECTR	2016/02/18	GENERAL TOLERANCES (UNLESS SPECIFIED)	DIMENSION UNITS	SCALE	molex			
	2016/02/29		mm	4:1				
	2016/02/29		ANGULAR TOL ± °	DRWN BY		DATE		
			4 PLACES ±	NCSR		2014/08/05		
			3 PLACES ±	CHK'D BY		DATE		
	2 PLACES ± 0.25	NCSR	2014/12/16	SALES DRAWING GENDERLESS HSG PL V-0 DITTO INTERCONNECTS				
	1 PLACE ± 0.3	APPR BY	DATE	PRODUCT CUSTOMER DRAWING				
	0 PLACES ±	KPRASAD	2015/04/14	SERIES	MATERIAL NUMBER	CUSTOMER		
	DRAFT WHERE APPLICABLE MUST REMAIN WITHIN DIMENSIONS		DRAWING SIZE	THIRD ANGLE PROJECTION	150170	SEE TABLE	GENERAL MARKET	
			A3		DOCUMENT NUMBER	DOC TYPE	DOC PART	SHEET NUMBER
					SD-150170-0000	PSD	000	1 OF 1