

Distributed by:

**JAMECO**<sup>®</sup>  
ELECTRONICS

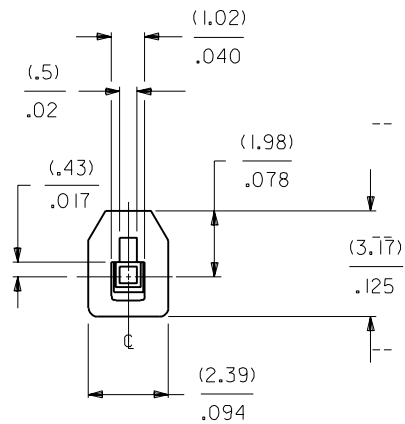
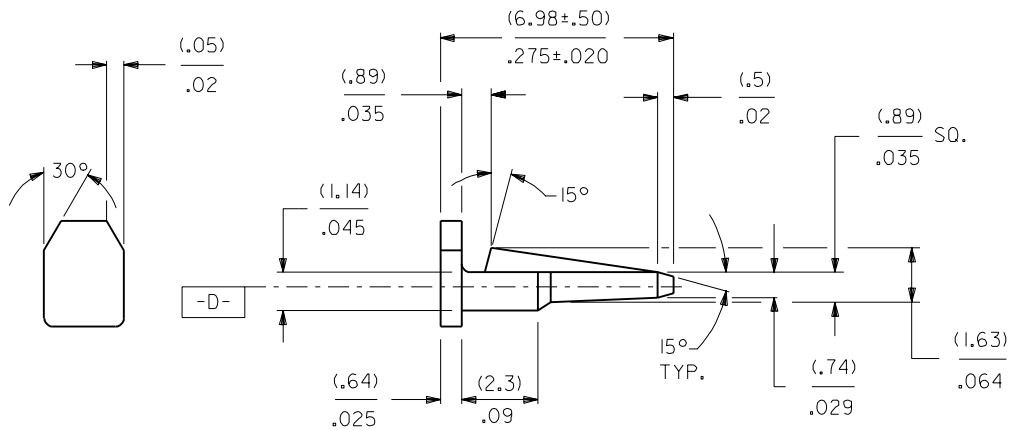
**www.Jameco.com ♦ 1-800-831-4242**

The content and copyrights of the attached  
material are the property of its owner.

Jameco Part Number 741327

NOTES:

1. PARTS TO BE SUPPLIED AS LOOSE PIECES.
2. MATERIAL: POLYESTER 94V-0, NATURAL COLOR.



4161-1  
15-04-9209

MATERIAL WAS NYLON ECR U90661			
8-14-89 A.GUZZIK			
REDRAW ON CAD ECR 10301			
10-16-87 A.GUZZIK			
L	2	L	L
M	L	M	L
MFG.	SH.	REV.	LTR.
REVISIONS			

DIMENSIONS SHOWN (METRIC) INCH		<input checked="" type="checkbox"/> = <input type="checkbox"/> = REVISIONS ONLY ON CAD SYSTEM	
UNLESS OTHERWISE SPECIFIED TOLERANCES: ANGULAR ± 1/2°			
INCH		METRIC	
3 PLACE	± .010	---	
2 PLACE	± .014	± .25	
1 PLACE	---	± .36	
DRAFT WHERE APPLICABLE MUST REMAIN WITHIN DIMENSIONS			
DRWG. BY: GUZZIK APP'D. BY: LENZ		CHK'D. BY: PATEL SCALE: ---	
FILE NAME: S4161X1		SHEET NO. 1 OF 2 DATE 10/16/87	
PART NO.		DRWG. NO. SD-4161	
THIS DRAWING CONTAINS INFORMATION THAT IS PROPRIETARY TO MOLEX INC. AND SHOULD NOT BE USED WITHOUT WRITTEN PERMISSION.			

(POLARIZING KEY)  
FOR KK (2.54) / 100

MOLEX INCORPORATED  
LISLE, ILL. 60532 U.S.A.

SHEET NO. 1 OF 2  
DATE 10/16/87

SD-4161

DIV. KK  
SIZE B