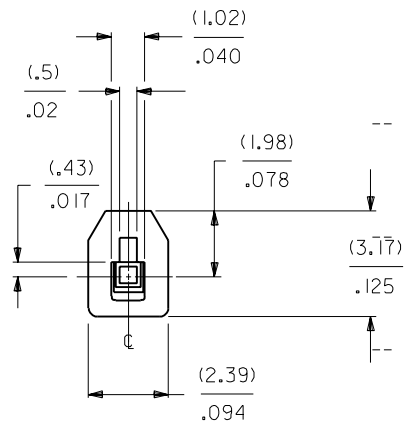
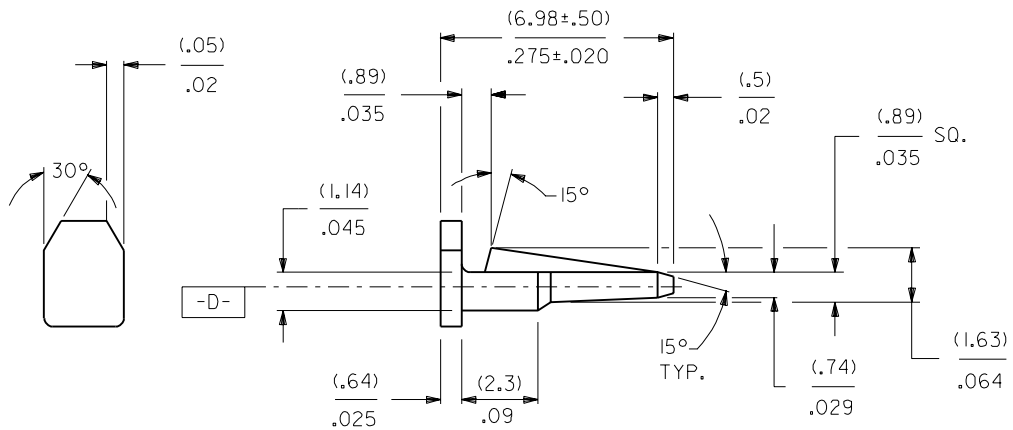


NOTES:

1. PARTS TO BE SUPPLIED AS LOOSE PIECES.
2. MATERIAL: POLYESTER 94V-0, NATURAL COLOR.



4161-1
15-04-9209

MATERIAL WAS NYLON ECR U90661			
8-14-89 A.GUZZIK			
REDRAW ON CAD ECR 10301			
10-16-87 A.GUZZIK			
M	L	M	L
MFG.	SH.	REV.	LTR.
			REVISIONS

DIMENSIONS SHOWN (METRIC) INCH	
UNLESS OTHERWISE SPECIFIED TOLERANCES: ANGULAR ± 1/2°	
DRAFT WHERE APPLICABLE MUST REMAIN WITHIN DIMENSIONS	
DRWG. BY: GUZZIK	CHK'D. BY: PATEL
APP'D. BY: LENZ	SCALE: -

REVISIONS: = REVISE ONLY ON CAD SYSTEM

TITLE: (POLARIZING KEY) FOR KK (2.54) / 100

MOLEX INCORPORATED SHEET NO. DATE
LISLE, ILL. 60532 U.S.A. 1 OF 2 10 / 16 / 87

PART NO. DRWG. NO. SD-4161

FILE NAME: S4161X1 THIS DRAWING CONTAINS INFORMATION THAT IS PROPRIETARY TO MOLEX INC. AND SHOULD NOT BE USED WITHOUT WRITTEN PERMISSION. DIV. SIZE: KK B