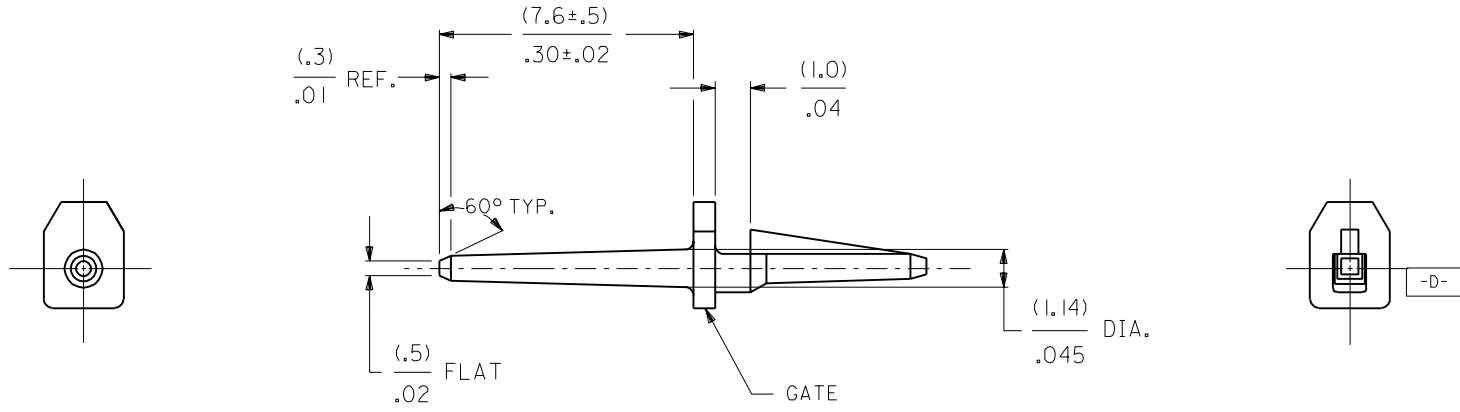


NOTES:

1. RECOMMENDED P.C. BOARD HOLE DIA. (1.50)/.059 MIN.



4161-2
15-04-92 10

---	SEE SHEET 1.....	---	SEE SHEET 1.....
---	SEE SHEET 1.....	---	SEE SHEET 1.....
---	SEE SHEET 1.....	---	SEE SHEET 1.....
---	SEE SHEET 1.....	---	SEE SHEET 1.....
---	SEE SHEET 1.....	---	SEE SHEET 1.....
---	SEE SHEET 1.....	---	SEE SHEET 1.....
LTR.	REVISIONS	LTR.	REVISIONS

DIMENSIONS SHOWN (METRIC) INCH	
UNLESS OTHERWISE SPECIFIED TOLERANCES: ANGULAR ± 1/2°	
INCH METRIC	
3 PLACE ± .010	---
2 PLACE ± .014	± .25
1 PLACE ---	± .36
DRAFT WHERE APPLICABLE MUST REMAIN WITHIN DIMENSIONS	
DRWG. BY: GUZIK	CHK'D. BY: PATEL
APP'D. BY: LENZ	SCALE: :

▽ =	▼ =	REVISE ONLY ON CAD SYSTEM
TITLE		
--- (POLARIZING PEG) ---		
--- FOR KK (2.54) / .100 ---		
MOLEX INCORPORATED		SHEET NO. DATE
LISLE, ILL. 60532 U.S.A.		2 10/16/87
PART NO.		DRWG. NO.
		SD-4161
FILE NAME	THIS DRAWING CONTAINS INFORMATION THAT IS PROPRIETARY TO MOLEX INC. AND SHOULD NOT BE USED WITHOUT WRITTEN PERMISSION	DIV. SIZE
S4161X2		KK B