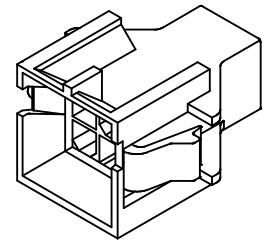
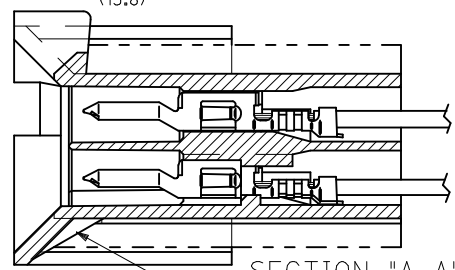
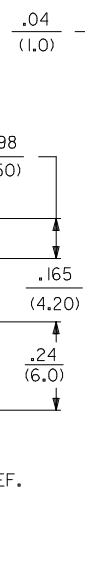


42475-\*\*\*1  
MOUNTING EAR DESIGN "A"  
(SEE NOTE 9)

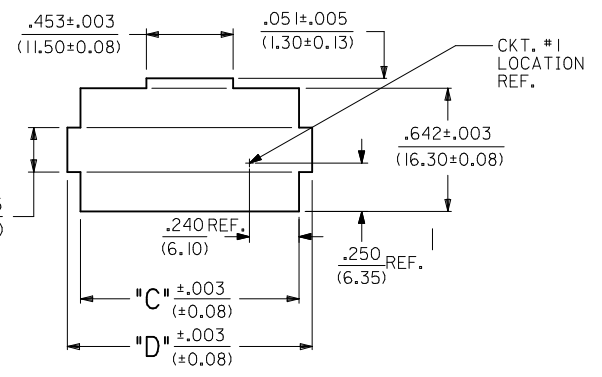


42475-\*\*\*1  
MOUNTING EAR DESIGN "B"  
(SEE NOTE 9)



SECTION "A-A"  
TERMINAL ORIENTATION

SEE NOTE #13



RECOMMENDED CUT-OUT FOR .063/(1.60)  
MAX. THICK P.C. BOARD. (6-24 CKT.'S.)

SCALE: 2X

CIRCUIT SIZE	DIM. "A"	DIM. "B"	DIM. "C"	DIM. "D"
6	.54 (13.8)	.33 (8.4)	.807 (20.50)	.945 (24.00)
8	.71 (18.0)	.50 (12.6)	.972 (24.70)	1.110 (28.20)
10	.87 (22.2)	.66 (16.8)	1.138 (28.90)	1.276 (32.40)
12	1.04 (26.4)	.83 (21.0)	1.303 (33.10)	1.441 (36.60)
14	1.20 (30.6)	.99 (25.2)	1.469 (37.30)	1.606 (40.80)
16	1.37 (34.8)	1.16 (29.4)	1.643 (41.50)	1.772 (45.00)
18	1.54 (39.0)	1.32 (33.6)	1.799 (45.70)	1.937 (49.20)
20	1.70 (43.2)	1.49 (37.8)	1.965 (49.90)	2.102 (53.40)
22	1.87 (47.4)	1.65 (42.0)	2.130 (54.10)	2.268 (57.60)
24	2.03 (51.6)	1.82 (46.2)	2.295 (58.30)	2.433 (61.80)

NOTES:

- 1) MATERIAL:  
 1 = NYLON (PA6/6), UNFILLED, UL94 V-2, COLOR: NATURAL  
 2 = NYLON (PA6/6), UNFILLED, UL94 V-0, COLOR: NATURAL  
 3 = NYLON (PA6/6), UNFILLED, UL94 V-2, COLOR: BLACK  
 4 = NYLON (PA6/6), UNFILLED, UL94 V-0, COLOR: BLACK
- 2) FINISH NOT APPLICABLE.  
 3) THIS PART CONFORMS TO MOLEX PRODUCT SPEC. NO. PS-5556-002.  
 4) PACKAGING: PK-42474-001  
 5) 6-24 CKT. PARTS MATE WITH MOLEX RECEPTACLES 5557, 42385 AND 42474. 2 AND 4 CKT. PARTS MATE WITH 42385 AND 42474 ONLY.  
 6) PART IS FOR USE WITH MALE TERMINAL #5558.  
 7) PART ALLOWS FOR UP TO .100/(2.54) MISALIGNMENT WITH MATING RECEPTACLE IN ANY DIRECTION. SEE MATING CONNECTOR DRAWINGS FOR SPECIFIC ALLOWANCES.  
 8) PANEL CUT-OUT TO BE PUNCHED IN THE SAME DIRECTION AS CONNECTOR INSERTION.  
 9) PARTS MANUFACTURED AFTER 95/12/31 MAY HAVE MOUNTING EAR DESIGN "B" PARTS WITH MOUNTING EAR DESIGN "A" WILL BE OBSOLETE AS TOOL LIFE DICTATES. IN SOME CASES, PARTS MAY BE AVAILABLE WITH BOTH MOUNTING EAR DESIGNS. SEE CHART ON SHEET 4 FOR SPECIFIC EAR DESIGN AVAILABILITY.

- 10) FOR MANUFACTURING EASE PARTS MAY HAVE OPTIONAL EJECTOR RIBS. SEE SHT. 3 FOR LOCATION.  
 11) DIMENSION DOES NOT INCLUDE EJECTOR RIBS (SEE PAGE #3 FOR PARTS WITH RIBS, RIB DIMENSIONS AND LOCATION).  
 12) IF THIS PRODUCT IS STORED IN AN ENVIRONMENT WITH A RELATIVE HUMIDITY OF LESS THAN 50%, MOISTURE MUST BE ADDED. REFER TO TECHNICAL ADVISORY AS-45499-001 FOR INSTRUCTIONS.  
 13) INTERIOR RIB LOCATION MAY VARY.

- 14) CONNECTOR ASSEMBLIES ARE NOT TO BE MATED OR UNMATED WHILE CIRCUITS ARE LIVE.  
 15) WIRES ARE TO BE DRESSED IN SUCH A MANNER TO ALLOW THE TERMINALS TO FLOAT FREELY IN THE POCKET.  
 16) PART CONFORMS TO CLASS "B" REQUIREMENTS OF COSMETIC SPECIFICATION PS-45499-022.

4	S1
3	S2
2	S
1	S2
SHEET REV	

CLARIFY RIBS EC NO: UCP2009-2239 DRAWN: RBENES 2009/03/10 CHKD: JEBEL 2009/03/13 APPR: FSMITH 2009/03/16	QUALITY SYMBOLS	GENERAL TOLERANCES (UNLESS SPECIFIED)	DIMENSION STYLE	SCALE	DESIGN UNITS	THIRD ANGLE PROJECTION															
	$\nabla=0$ $\nabla=0$	<table border="1"> <tr> <th></th> <th>mm</th> <th>INCH</th> </tr> <tr> <td>4 PLACES</td> <td>± ---</td> <td>± ---</td> </tr> <tr> <td>3 PLACES</td> <td>± ---</td> <td>± .010</td> </tr> <tr> <td>2 PLACES</td> <td>± 0.25</td> <td>± .015</td> </tr> <tr> <td>1 PLACE</td> <td>± 0.38</td> <td>± ---</td> </tr> </table>		mm	INCH	4 PLACES	± ---	± ---	3 PLACES	± ---	± .010	2 PLACES	± 0.25	± .015	1 PLACE	± 0.38	± ---	IN/MM	4:1	METRIC	
		mm	INCH																		
	4 PLACES	± ---	± ---																		
3 PLACES	± ---	± .010																			
2 PLACES	± 0.25	± .015																			
1 PLACE	± 0.38	± ---																			
	ANGULAR ±1/2°	DRAWN BY: GEP DATE: 1989/07/18	CHECKED BY: RJF DATE: 1989/07/18	PLUG HOUSING B.M.I. 2-24 CIRCUITS MINI-FIT SERIES																	
S2	DRAFT WHERE APPLICABLE MUST REMAIN WITHIN DIMENSIONS	APPROVED BY: RAS DATE: 1989/07/18	MATERIAL NO. SEE SHEET 4	DOCUMENT NO. SD-42475-***1	SHEET NO. 1 OF 4																

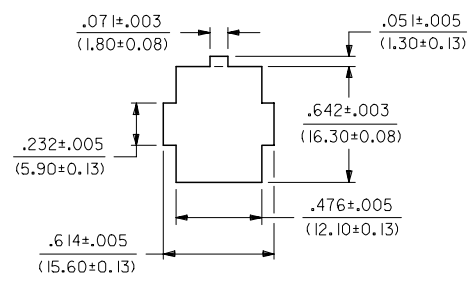
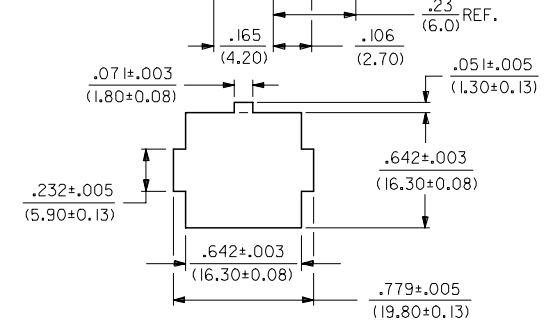
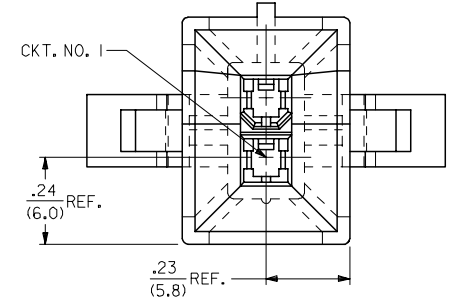
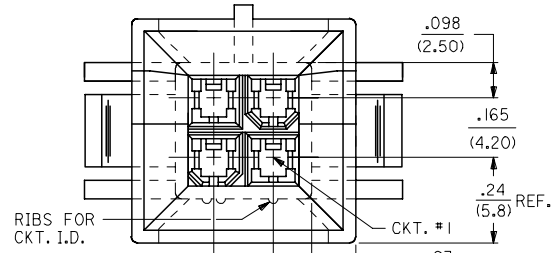
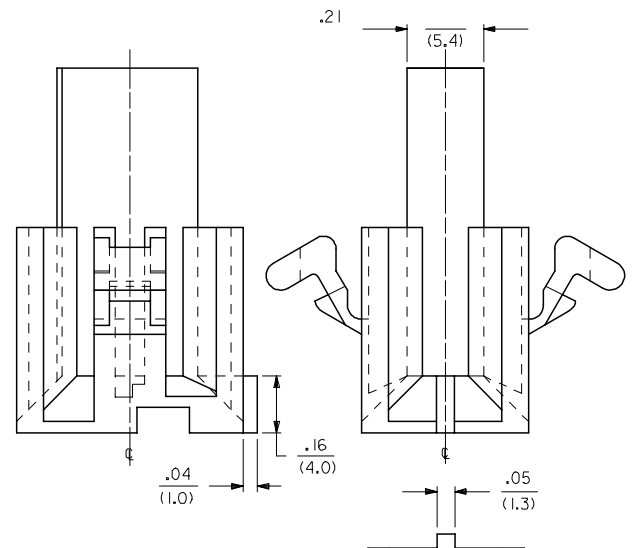
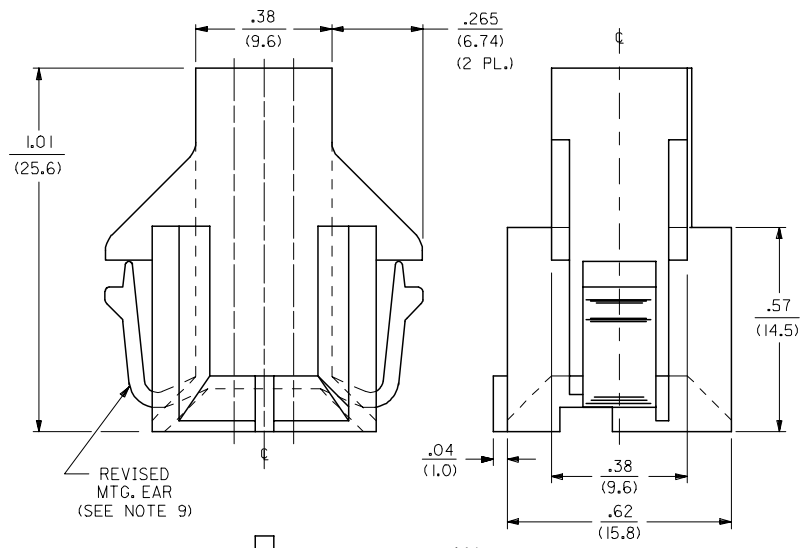
SEE SHEET 2 FOR 2 & 4 CKT. PARTS

THIS DRAWING CONTAINS INFORMATION THAT IS PROPRIETARY TO MOLEX INCORPORATED AND SHOULD NOT BE USED WITHOUT WRITTEN PERMISSION

13 12 11 10 9 8 7 6 5 4 3 2 1

J  
I  
H  
G  
F  
E  
D  
C  
B  
A

J  
I  
H  
G  
F  
E  
D  
C  
B  
A



RECOMMENDED CUT-OUT FOR .063/(1.60)  
MAX. THICK P.C. BOARD. #1 (2 CKT'S.)

SCALE: 2X

2 CKT.

RECOMMENDED CUT-OUT FOR .063/(1.60)  
MAX. THICK P.C. BOARD. (4 CKT'S.)

SCALE: 2X

4 CKT.

MODIFIED TITLE BLK EC NO: UCP2007-3279 DRWALLSCHMIDT 2007/09/05 CHKD:LSCHMIDT 2007/09/07 APPR:FSM TH 2007/09/07 REVISIONS DESCRIPTION	QUALITY SYMBOLS	GENERAL TOLERANCES (UNLESS SPECIFIED) mm INCH 4 PLACES ± --- ± --- 3 PLACES ± --- ± .010 2 PLACES ± 0.25 ± .015 1 PLACE ± 0.38 ± --- ANGULAR ± 5 °	DIMENSION STYLE	SCALE	DESIGN UNITS	THIRD ANGLE PROJECTION
			IN/MM	4:1	METRIC	
			DRAWN BY	DATE	TITLE	
			CHECKED BY	DATE		
			APPROVED BY	DATE		
			MATERIAL NO.			
			SEE SHEET 4			
			THIS DRAWING CONTAINS INFORMATION THAT IS PROPRIETARY TO MOLEX INCORPORATED AND SHOULD NOT BE USED WITHOUT WRITTEN PERMISSION			

PLUG HOUSING B.M.I.  
2-24 CIRCUITS  
MINI-FIT SERIES

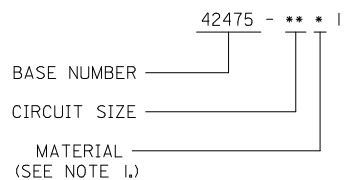
molex MOLEX INCORPORATED

SD-42475-\*\*\*1 SHEET NO. 2 OF 4

12 11 10 9 8 7 6 5 4 3 2 1

	13	12	11	10	9	8	7	6	5	4	3	2	1	
	PART NUMBER	ENG. NUMBER	CKT. SIZE	MATERIAL (SEE NOTE 1.)	PART NUMBER	CKT. SIZE	MATERIAL (SEE NOTE 1.)	MOUNTING EAR TYPE						
								CKT. SIZE	DESIGN A, DESIGN B (SEE SHEET I)					
J	NOT TOOLED	42475-0211	2	I						42475-***2I, 5558-GS*	42474-***2I, 5556-PBGS*P	94V-0	PHOS. BRZ.	GOLD
										42475-***1I, 5558-GS*	42474-***1I, 5556-PBGS*P	94V-2		
	15-06-0045	42475-0411	4		42475-0431	4		2	N/A	42475-***2I, 5558-GS*	42474-***2I, 5556-GS*P	94V-0	BRASS	GOLD
	15-06-0065	42475-0611	6		42475-0631	6		4	B	42475-***1I, 5558-GS*	42474-***1I, 5556-GS*P	94V-2		
	15-06-0085	42475-0811	8		42475-0831	8		6	B	42475-***2I, 5558-PBS*	42474-***2I, 5556-PBS*P	94V-0	PHOS. BRZ.	TIN
I	15-06-0105	42475-1011	10		42475-1031	10		8	A	42475-***2I, 5558-S*	42474-***2I, 5556-S*P	94V-0	BRASS	TIN
	NOT TOOLED	42475-1211	12			12		10	B	42475-***1I, 5558-S*	42474-***1I, 5556-S*P	94V-2		
	15-06-0145	42475-1411	14		42475-1431	14		12	N/A	42475-***2I, 5558-GS*	A-42385-***D2	94V-0	PHOS. BRZ.	GOLD
	NOT TOOLED	42475-1611	16			16		14	B	42475-***1I, 5558-GS*	A-42385-***C2	94V-2		
H	15-06-0185	42475-1811	18		42475-1831	18		16	N/A	42475-***2I, 5558-GS*	A-42385-***B2	94V-0	BRASS	GOLD
	15-06-0205	42475-2011	20		42475-2031	20		18	A & B	42475-***1I, 5558-GS*	A-42385-***A2	94V-2		
	NOT TOOLED	42475-2211	22			22		20	A	42475-***2I, 5558-PBS*	A-42385-***D1	94V-0	PHOS. BRZ.	TIN
	15-06-0245	42475-2411	24	I	42475-2431	24	3	22	N/A	42475-***1I, 5558-PBS*	A-42385-***C1	94V-2		
G								24	B	42475-***2I, 5558-S*	A-42385-***B1	94V-0	BRASS	TIN
	NOT TOOLED	42475-0221	2	2						42475-***1I, 5558-S*	A-42385-***A1	94V-2		
	15-06-0046	42475-0421	4		42475-0441	4				PLUG HOUSING/ MALE TERMINAL		MATING CONNECTOR		HSG. MAT'L. TERM. MAT'L. PLATING
	15-06-0066	42475-0621	6			6						MATING CONNECTOR FEATURES		
F	50-36-2323	42475-0821	8			8								
	15-06-0106	42475-1021	10		42475-1041	10								
	NOT TOOLED	42475-1221	12			12								
E	15-06-0146	42475-1421	14		42475-1441	14								
	NOT TOOLED	42475-1621	16			16								
	15-06-0186	42475-1821	18		42475-1841	18								
	15-06-0206	42475-2021	20		42475-2041	20								
D	NOT TOOLED	42475-2221	22			22								
	15-06-0246	42475-2421	24	2	42475-2441	24	4							

**LEGEND:**



<b>ADDED 50362323</b> EC NO: UCP2009-0892 DRWN:KLOSTNER 2008/10/09 CHKD:JBELL 2008/10/14 APPR:FSMITH 2008/10/15	QUALITY SYMBOLS ▽=0 ▽=0	GENERAL TOLERANCES (UNLESS SPECIFIED) <table border="1"> <tr> <th></th> <th>mm</th> <th>INCH</th> </tr> <tr> <td>4 PLACES</td> <td>± .005</td> <td>± .0005</td> </tr> <tr> <td>3 PLACES</td> <td>± .010</td> <td>± .0010</td> </tr> <tr> <td>2 PLACES</td> <td>± 0.25</td> <td>± .015</td> </tr> <tr> <td>1 PLACE</td> <td>± 0.38</td> <td>± .015</td> </tr> </table>		mm	INCH	4 PLACES	± .005	± .0005	3 PLACES	± .010	± .0010	2 PLACES	± 0.25	± .015	1 PLACE	± 0.38	± .015	DIMENSION STYLE <b>IN/MM</b> DRAWN BY: GEP DATE: 1989/07/18 CHECKED BY: RJF DATE: 1989/07/18 APPROVED BY: RAS DATE: 1989/07/18	SCALE <b>4:1</b> DESIGN UNITS <b>METRIC</b>	THIRD ANGLE PROJECTION 
		mm	INCH																	
	4 PLACES	± .005	± .0005																	
	3 PLACES	± .010	± .0010																	
2 PLACES	± 0.25	± .015																		
1 PLACE	± 0.38	± .015																		
DRAFT WHERE APPLICABLE MUST REMAIN WITHIN DIMENSIONS		MATERIAL NO. <b>SEE CHART</b>	TITLE <b>PLUG HOUSING B.M.I. 2-24 CIRCUITS, MINI-FIT SERIES</b>																	
SIZE <b>C</b>		MOLEX INCORPORATED DOCUMENT NO. <b>SD-42475-***1</b>			SHEET NO. <b>4 OF 4</b>															
THIS DRAWING CONTAINS INFORMATION THAT IS PROPRIETARY TO MOLEX INCORPORATED AND SHOULD NOT BE USED WITHOUT WRITTEN PERMISSION																				