

CIRCUIT SIZE	DIM. "A"	DIM. "B"	DIM. "C"	DIM. "D"
6	.54 (13.8)	.33 (8.4)	.807 (20.50)	.945 (24.00)
8	.71 (18.0)	.50 (12.6)	.972 (24.70)	1.110 (28.20)
10	.87 (22.2)	.66 (16.8)	1.138 (28.90)	1.276 (32.40)
12	1.04 (26.4)	.83 (21.0)	1.303 (33.10)	1.441 (36.60)
14	1.20 (30.6)	.99 (25.2)	1.469 (37.30)	1.606 (40.80)
16	1.37 (34.8)	1.16 (29.4)	1.643 (41.50)	1.772 (45.00)
18	1.54 (39.0)	1.32 (33.6)	1.799 (45.70)	1.937 (49.20)
20	1.70 (43.2)	1.49 (37.8)	1.965 (49.90)	2.102 (53.40)
22	1.87 (47.4)	1.65 (42.0)	2.130 (54.10)	2.268 (57.60)
24	2.03 (51.6)	1.82 (46.2)	2.295 (58.30)	2.433 (61.80)

NOTES:

- MATERIAL:
 - NYLON (PA6/6), UNFILLED, UL94 V-2, COLOR: NATURAL
 - NYLON (PA6/6), UNFILLED, UL94 V-0, COLOR: NATURAL
 - NYLON (PA6/6), UNFILLED, UL94 V-2, COLOR: BLACK
 - NYLON (PA6/6), UNFILLED, UL94 V-0, COLOR: BLACK
- FINISH NOT APPLICABLE.
- THIS PART CONFORMS TO MOLEX PRODUCT SPEC. NO. PS-5556-002.
- PACKAGING: PK-42474-001
- 6-24 CKT. PARTS MATE WITH MOLEX RECEPTACLES 5557, 42385 AND 42474. 2 AND 4 CKT. PARTS MATE WITH 42385 AND 42474 ONLY.
- PART IS FOR USE WITH MALE TERMINAL #5558.
- PART ALLOWS FOR UP TO .100/(2.54) MISALIGNMENT WITH MATING RECEPTACLE IN ANY DIRECTION. SEE MATING CONNECTOR DRAWINGS FOR SPECIFIC ALLOWANCES.
- PANEL CUT-OUT TO BE PUNCHED IN THE SAME DIRECTION AS CONNECTOR INSERTION.
- PARTS MANUFACTURED AFTER 95/12/31 MAY HAVE MOUNTING EAR DESIGN "B". PARTS WITH MOUNTING EAR DESIGN "A" WILL BE OBSOLETE AS TOOL LIFE DICTATES. IN SOME CASES, PARTS MAY BE AVAILABLE WITH BOTH MOUNTING EAR DESIGNS. SEE CHART ON SHEET 4 FOR SPECIFIC EAR DESIGN AVAILABILITY.

- FOR MANUFACTURING EASE PARTS MAY HAVE OPTIONAL EJECTOR RIBS. SEE SHT. 3 FOR LOCATION.
- DIMENSION DOES NOT INCLUDE EJECTOR RIBS (SEE PAGE #3 FOR PARTS WITH RIBS, RIB DIMENSIONS AND LOCATION).
- IF THIS PRODUCT IS STORED IN AN ENVIRONMENT WITH A RELATIVE HUMIDITY OF LESS THAN 50%, MOISTURE MUST BE ADDED. REFER TO TECHNICAL ADVISORY AS-45499-001 FOR INSTRUCTIONS.
- INTERIOR RIB LOCATION MAY VARY.

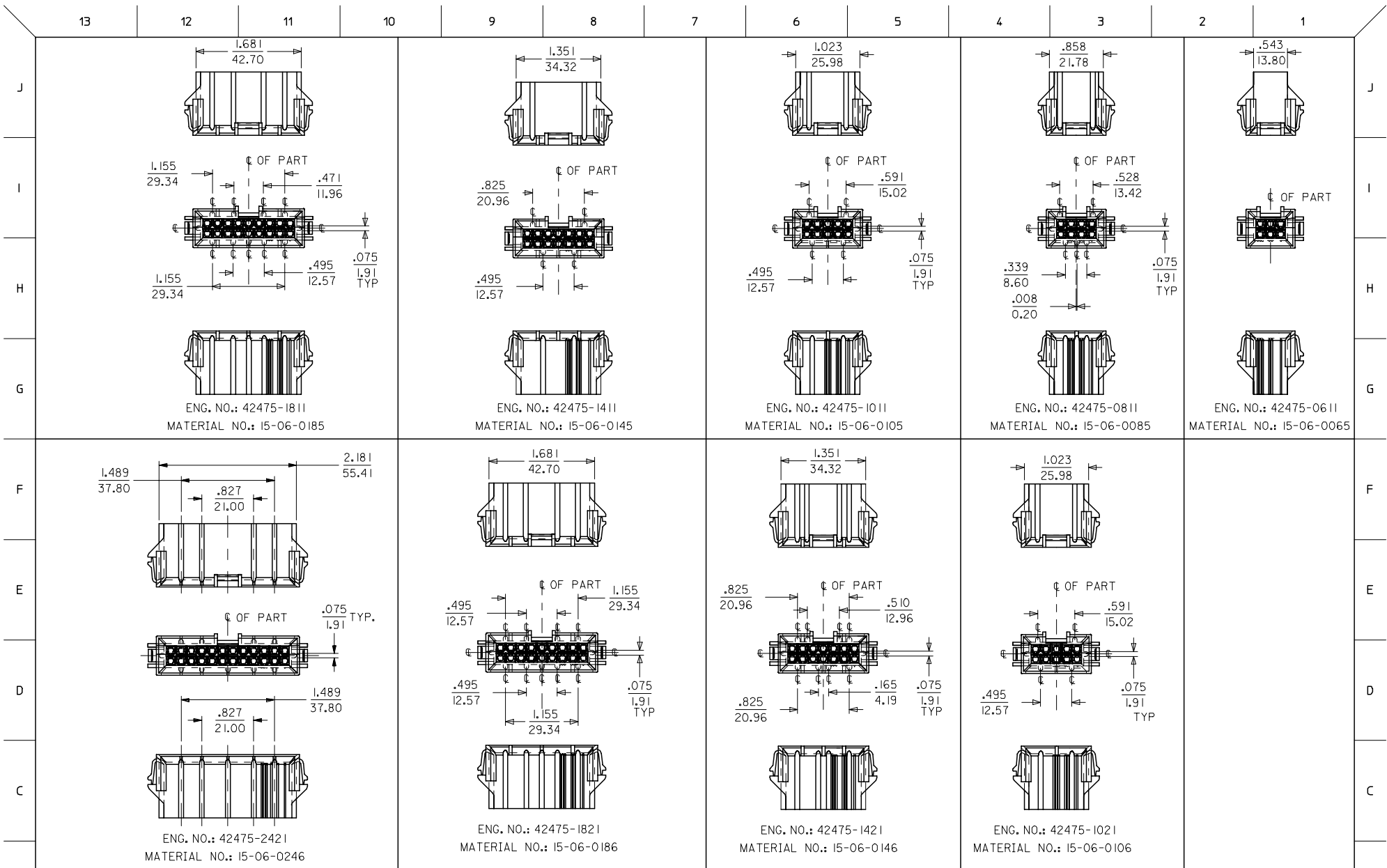
- CONNECTOR ASSEMBLIES ARE NOT TO BE MATED OR UNMATED WHILE CIRCUITS ARE LIVE.
- WIRES ARE TO BE DRESSED IN SUCH A MANNER TO ALLOW THE TERMINALS TO FLOAT FREELY IN THE POCKET.
- PART CONFORMS TO CLASS "B" REQUIREMENTS OF COSMETIC SPECIFICATION PS-45499-022.

RECOMMENDED CUT-OUT FOR .063/(1.60) MAX. THICK P.C. BOARD. (6-24 CKT.'S.)
SCALE: 2X

4	S
3	S
2	S
1	S
SHEET REV	

ADDITIONAL NOTES: EC NO: UCP2007-3279 DRW: SLM: SLM: DT CHKD: SLM: DT APPR: SLM: TH 2007/09/05 2007/09/07 2007/09/07	QUALITY SYMBOLS ▽=0 ▽=0	GENERAL TOLERANCES (UNLESS SPECIFIED) mm INCH 4 PLACES ± --- ± --- 3 PLACES ± --- ± .010 2 PLACES ± 0.25 ± .015 1 PLACE ± 0.38 ± --- ANGULAR ±1/2°	DIMENSION STYLE IN/MM DRAWN BY DATE GEP 1989/07/18 CHECKED BY DATE RJF 1989/07/18 APPROVED BY DATE RAS 1989/07/18	SCALE 4:1 DESIGN UNITS METRIC THIRD ANGLE PROJECTION	TITLE PLUG HOUSING B.M.I. 2-24 CIRCUITS MINI-FIT SERIES	MATERIAL NO. SD-42475-***1	DOCUMENT NO. SHEET NO. 1 OF 4
		DRAFT WHERE APPLICABLE MUST REMAIN WITHIN DIMENSIONS	SEE SHEET 4 THIS DRAWING CONTAINS INFORMATION THAT IS PROPRIETARY TO MOLEX INCORPORATED AND SHOULD NOT BE USED WITHOUT WRITTEN PERMISSION	MOLEX MOLEX INCORPORATED	SHEET NO. 1 OF 4		

SEE SHEET 2 FOR 2 & 4 CKT. PARTS



NOTES:

1) DIMENSIONS GIVEN ACROSS CENTERLINES ARE SYMMETRICAL ABOUT THOSE CENTERLINES WITHIN HALF THE TOTAL TOLERANCE.

MODIFIED TITLE BLK
 EC NO: UCP2007-3279
 DRWALLSCHMIDT 2007/09/05
 CHKD:LSCHMIDT 2007/09/07
 APPR:FSM TH 2007/09/07

QUALITY SYMBOLS

GENERAL TOLERANCES (UNLESS SPECIFIED)

	mm	INCH
4 PLACES	± .10	± .004
3 PLACES	± .15	± .006
2 PLACES	± .25	± .010
1 PLACE	± .38	± .015
ANGULAR ±1/2°		

DRAFT WHERE APPLICABLE MUST REMAIN WITHIN DIMENSIONS

DIMENSION STYLE
 IN/MM

DRAWN BY DATE
 CM 1998/04/16

CHECKED BY DATE
 MAB 1998/04/16

APPROVED BY DATE
 RE 1998/04/16

MATERIAL NO.
 SEE SHEET 4

SCALE 1:1

DESIGN UNITS METRIC

THIRD ANGLE PROJECTION

PLUG HOUSING B.M.I
 2-24 CIRCUITS
 MINI-FIT SERIES

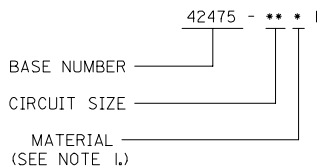
MOLEX INCORPORATED

DOCUMENT NO. SD-42475-***1

SHEET NO. 3 OF 4

	13	12	11	10	9	8	7	6	5	4	3	2	1	
	PART NUMBER	ENG. NUMBER	CKT. SIZE	MATERIAL (SEE NOTE 1.)	PART NUMBER	CKT. SIZE	MATERIAL (SEE NOTE 1.)	MOUNTING EAR TYPE		42475-***2I, 5558-GS*	42474-***2I, 5556-PBGS*P	94V-0	PHOS. BRZ.	GOLD
								CKT. SIZE	DESIGN A, DESIGN B (SEE SHEET I)	42475-***1I, 5558-GS*	42474-***1I, 5556-PBGS*P	94V-2		
J	NOT TOOLED	42475-021I	2	I		2	3			42475-***2I, 5558-GS*	42474-***2I, 5556-PBGS*P	94V-0	BRASS	GOLD
	15-06-0045	42475-041I	4	↑	42475-043I	4	↑	2	N/A	42475-***1I, 5558-GS*	42474-***1I, 5556-GS*P	94V-2		
	15-06-0065	42475-061I	6		42475-063I	6		4	B	42475-***2I, 5558-PBS*	42474-***2I, 5556-PBS*P	94V-0	PHOS. BRZ.	TIN
	15-06-0085	42475-081I	8		42475-083I	8		6	B	42475-***1I, 5558-PBS*	42474-***1I, 5556-PBS*P	94V-2		
I	15-06-0105	42475-101I	10		42475-103I	10		8	A	42475-***2I, 5558-S*	42474-***2I, 5556-S*P	94V-0	BRASS	TIN
	NOT TOOLED	42475-121I	12			12		10	B	42475-***1I, 5558-S*	42474-***1I, 5556-S*P	94V-2		
	15-06-0145	42475-141I	14		42475-143I	14		12	N/A	42475-***2I, 5558-GS*	A-42385-***D2	94V-0	PHOS. BRZ.	GOLD
	NOT TOOLED	42475-161I	16			16		14	B	42475-***1I, 5558-GS*	A-42385-***C2	94V-2		
H	15-06-0185	42475-181I	18		42475-183I	18		16	N/A	42475-***2I, 5558-GS*	A-42385-***B2	94V-0	BRASS	GOLD
	15-06-0205	42475-201I	20		42475-203I	20		18	A & B	42475-***1I, 5558-GS*	A-42385-***A2	94V-2		
	NOT TOOLED	42475-221I	22	↓		22	↓	20	A	42475-***2I, 5558-PBS*	A-42385-***D1	94V-0	PHOS. BRZ.	TIN
	15-06-0245	42475-241I	24	I	42475-243I	24	3	22	N/A	42475-***1I, 5558-PBS*	A-42385-***C1	94V-2		
								24	B	42475-***2I, 5558-S*	A-42385-***B1	94V-0	BRASS	TIN
										42475-***1I, 5558-S*	A-42385-***A1	94V-2		
										PLUG HOUSING/ MALE TERMINAL	MATING CONNECTOR	HSG. MAT'L. MATING CONNECTOR	TERM. MAT'L. MATING CONNECTOR	PLATING CONNECTOR FEATURES
G	NOT TOOLED	42475-022I	2	2		2	4							
	15-06-0046	42475-042I	4	↑	42475-044I	4	↑							
	15-06-0066	42475-062I	6			6								
F	NOT TOOLED	42475-082I	8			8								
	15-06-0106	42475-102I	10		42475-104I	10								
	NOT TOOLED	42475-122I	12			12								
	15-06-0146	42475-142I	14		42475-144I	14								
E	NOT TOOLED	42475-162I	16			16								
	15-06-0186	42475-182I	18		42475-184I	18								
	15-06-0206	42475-202I	20		42475-204I	20								
	NOT TOOLED	42475-222I	22	↓		22	↓							
D	15-06-0246	42475-242I	24	2	42475-244I	24	4							

LEGEND:



MODIFIED TITLE BLK EC NO: UCP2007-3279 DRWNL:LSCHMI DT 2007/09/05 CHKD:LSCHMI DT 2007/09/07 APPR:FSM TH 2007/09/07 REVISION	QUALITY SYMBOLS	GENERAL TOLERANCES (UNLESS SPECIFIED)	DIMENSION STYLE	SCALE	DESIGN UNITS	THIRD ANGLE PROJECTION															
	$\nabla=0$ $\nabla=0$	<table border="1"> <tr> <th></th> <th>mm</th> <th>INCH</th> </tr> <tr> <td>4 PLACES</td> <td>± .005</td> <td>± .0004</td> </tr> <tr> <td>3 PLACES</td> <td>± .010</td> <td>± .0008</td> </tr> <tr> <td>2 PLACES</td> <td>± 0.25</td> <td>± .015</td> </tr> <tr> <td>1 PLACE</td> <td>± 0.38</td> <td>± .015</td> </tr> </table>		mm	INCH	4 PLACES	± .005	± .0004	3 PLACES	± .010	± .0008	2 PLACES	± 0.25	± .015	1 PLACE	± 0.38	± .015	IN/MM	4:1	METRIC	
		mm	INCH																		
	4 PLACES	± .005	± .0004																		
3 PLACES	± .010	± .0008																			
2 PLACES	± 0.25	± .015																			
1 PLACE	± 0.38	± .015																			
	<table border="1"> <tr> <th>DRAWN BY</th> <th>DATE</th> </tr> <tr> <td>GEP</td> <td>1989/07/18</td> </tr> <tr> <th>CHECKED BY</th> <th>DATE</th> </tr> <tr> <td>RJF</td> <td>1989/07/18</td> </tr> <tr> <th>APPROVED BY</th> <th>DATE</th> </tr> <tr> <td>RAS</td> <td>1989/07/18</td> </tr> </table>	DRAWN BY	DATE	GEP	1989/07/18	CHECKED BY	DATE	RJF	1989/07/18	APPROVED BY	DATE	RAS	1989/07/18	TITLE	PLUG HOUSING B.M.I. 2-24 CIRCUITS, MINI-FIT SERIES						
DRAWN BY	DATE																				
GEP	1989/07/18																				
CHECKED BY	DATE																				
RJF	1989/07/18																				
APPROVED BY	DATE																				
RAS	1989/07/18																				
	DRAFT WHERE APPLICABLE MUST REMAIN WITHIN DIMENSIONS	SEE CHART	MATERIAL NO. SD-42475-***1	DOCUMENT NO. SD-42475-***1	SHEET NO. 4 OF 4	MOLEX INCORPORATED															