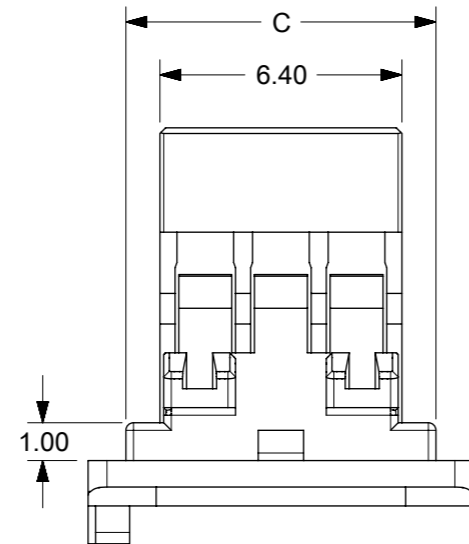
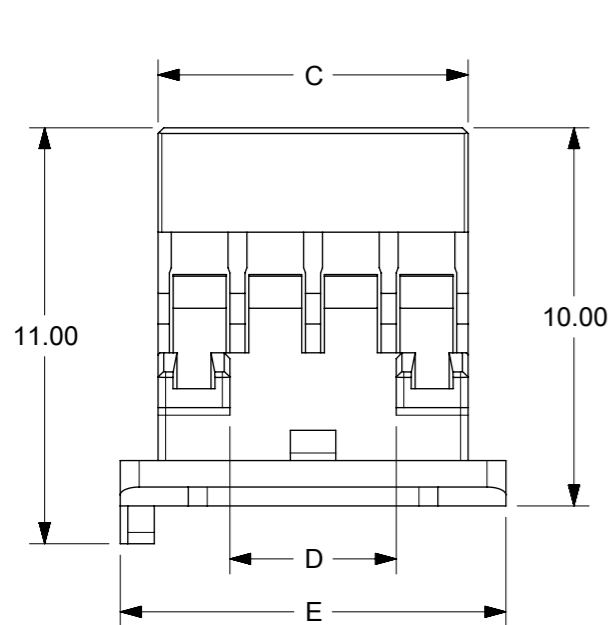
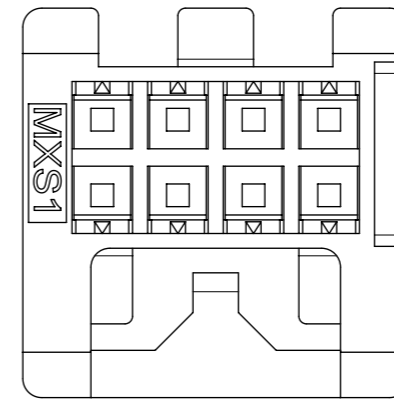
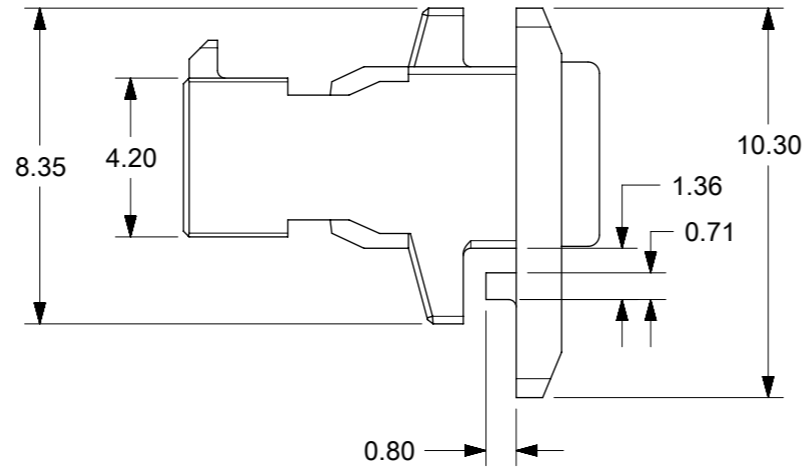
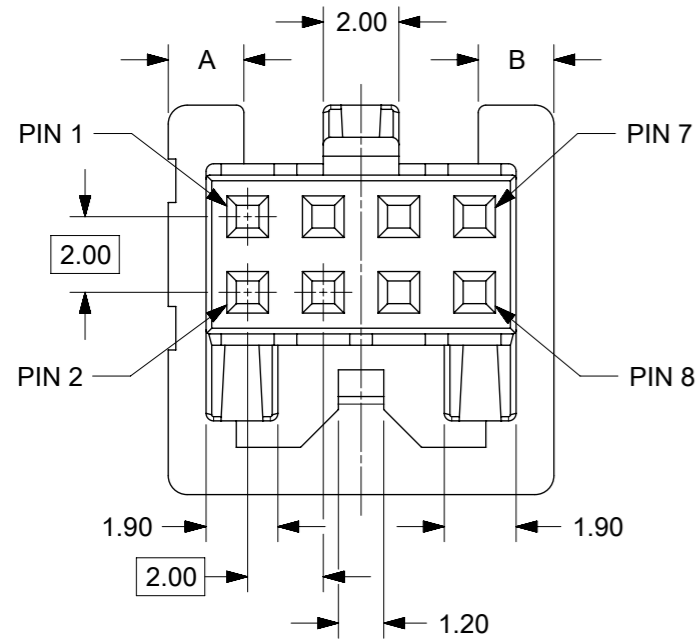


NOTES:

1. MATERIALS: POLYESTER, UL 94V-0, BLACK
2. PRODUCT SPECIFICATION: PS-151014-0001
3. USE FEMALE CRIMP TERMINAL: 503948***
4. APPLICABLE WIRE RANGE: AWG#24-#30
5. PACKAGING: BULK , PK-151014-0001
6. MATES WITH: 151013 SERIES
7. WHEN THIS PRODUCT IS USED AS A BLIND MATING APPLICATION THE SYSTEM LEVEL DESIGN MUST INCORPORATE GUIDANCE SO THE CONNECTORS ARE WITHIN THE CAPTURE ENVELOPE OF THE FLANGES ON THE HEADER OR PLUG HOUSING AND CAN THUS ALIGN THEMSELVES AS THEY COME TOGETHER
8. THIS PART CONFORMS TO CLASS B REQUIREMENTS OF COSMETIC SPEC PS-45499-002
9. USE TOOL NUMBER 638131400 TO REMOVE TERMINAL FROM HOUSING WHEN NECESSARY CAUTION: TERMINALS MUST NOT BE REUSED AFTER REMOVAL.
10. MOLEX LOGO AND CAVITY ID TO BE LOCATED APPROXIMATELY AT SHOWN
11. NON FUNCTIONAL CORING IS SUBJECTED TO CHANGES WITHOUT NOTICE



ADDITIONAL DIMENSION FOR 6CKTS HOUSING

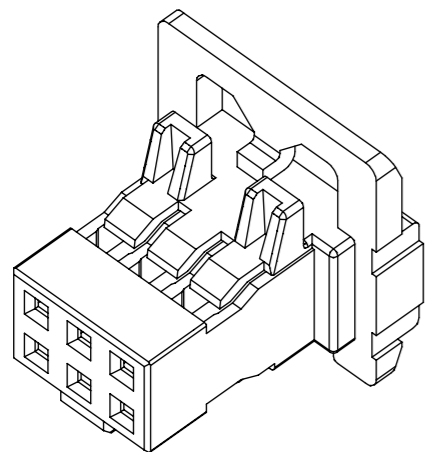
20	8.00	8.00	20.40	16.40	22.20	23.30	2.60	11.70	2.60	11.10	20.90	1510140020	YES
18	7.00	7.00	18.40	14.40	20.20	21.30	2.60	10.70	2.60	10.10	18.90	1510140018	
16	6.00	6.00	16.40	12.40	18.20	19.30	2.60	9.70	2.60	9.10	16.90	1510140016	
14	5.00	5.00	14.60	10.40	16.20	17.30	2.60	8.70	2.60	8.10	14.90	1510140014	
12	4.00	4.00	12.40	8.40	14.20	15.30	2.60	7.70	2.60	7.10	12.90	1510140012	
10	3.00	3.00	10.40	6.40	12.20	13.30	2.60	6.70	2.60	6.10	10.90	1510140010	
8	2.00	2.00	8.20	4.40	10.20	11.20	2.40	5.60	2.50	5.00	8.80	1510140008	
6	2.00	2.00	8.20	2.40	10.20	10.30	2.40	4.80	2.50	5.00	7.00	1510140006	
CKT. NO.	A	B	C	D	E	F	G	H	J	K	L	MATERIAL NO.	TOOLED

THIS DRAWING CONTAINS INFORMATION THAT IS PROPRIETARY TO MOLEX ELECTRONIC TECHNOLOGIES, LLC AND SHOULD NOT BE USED WITHOUT WRITTEN PERMISSION

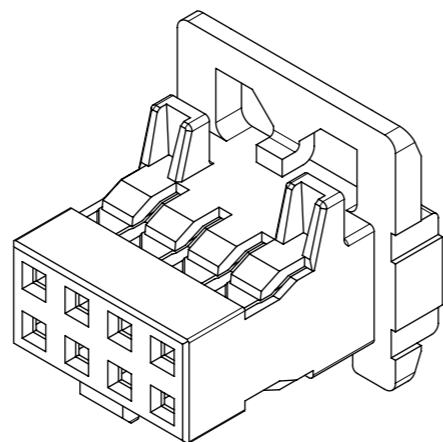
DIMENSION UNITS		SCALE		CURRENT REV DESC:				molex					
mm	NTS	MM	INCH					2MM PITCH CRIMP RECEPTACLE HOUSING WITH PANEL MOUNT FEATURE					
GENERAL TOLERANCES (UNLESS SPECIFIED)				EC NO: 635690				PRODUCT CUSTOMER DRAWING					
4 PLACES	±	±	±	DRWN: ABABUPS 2020/04/07									
3 PLACES	±	±	±	CHK'D: MRAMAKRISHNA 2020/04/10				DOCUMENT NUMBER					
2 PLACES	±	0.2	±	APPR: MRAMAKRISHNA 2020/04/10				SD-151014-0001					
1 PLACE	±	±	±	INITIAL REVISION:				DOC TYPE					
0 PLACES	±	±	±	DRWN: GMENARLY 2015/06/15				PSD					
ANGULAR TOL ± 3.0°				APPR: KHLIM 2015/06/29				DOC PART					
DRAFT WHERE APPLICABLE MUST REMAIN WITHIN DIMENSIONS				THIRD ANGLE PROJECTION		DRAWING		SERIES		MATERIAL NUMBER		CUSTOMER	
				A3-SIZE		151014		SEE TABLE		GENERAL MARKET		SHEET NUMBER	
												1 OF 4	

9 8 7 6 5 4 3 2 1

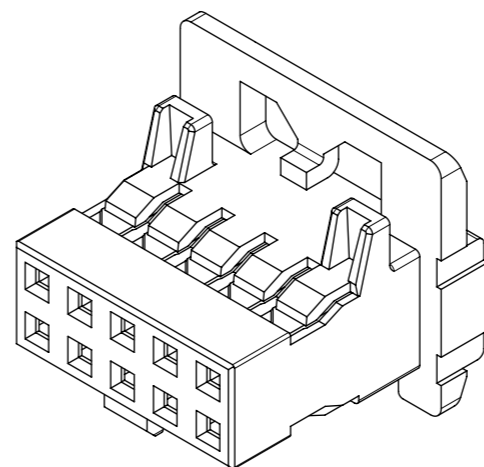
E



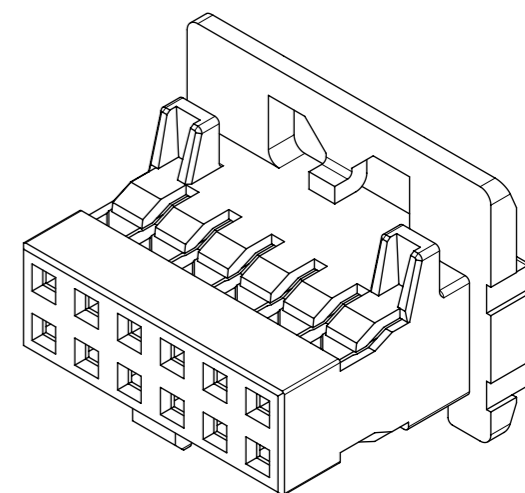
1510140006
6CKTS



1510140008
8CKTS



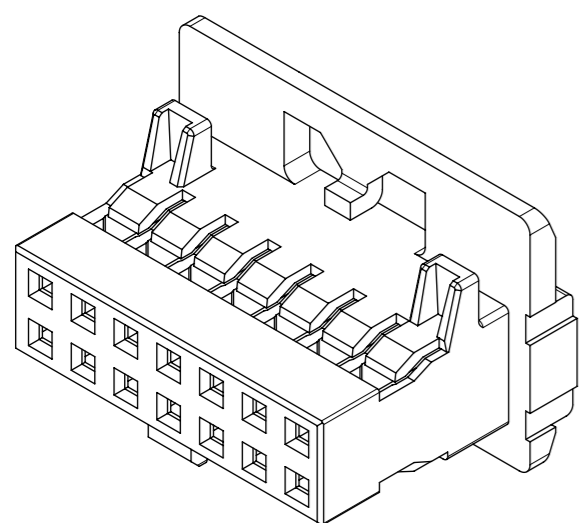
1510140010
10CKTS



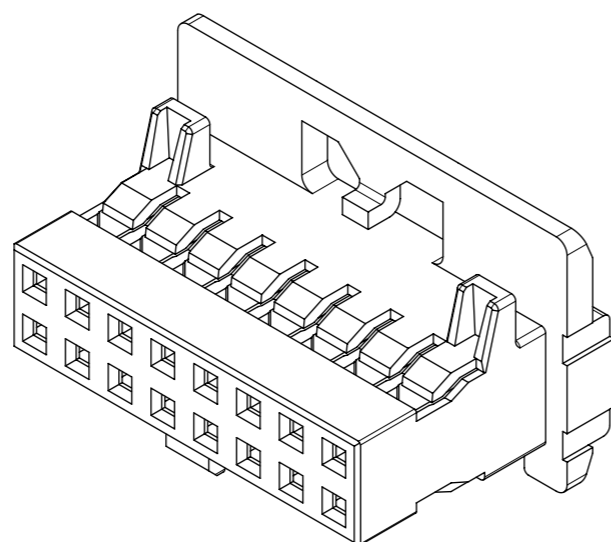
1510140012
12CKTS

D

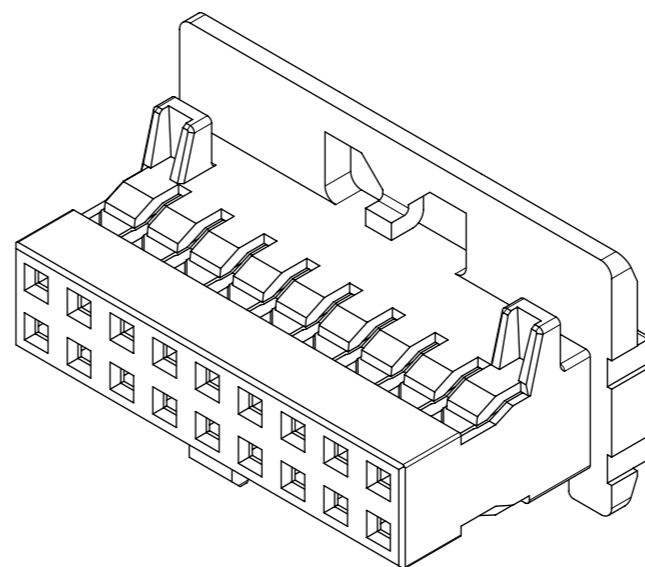
C



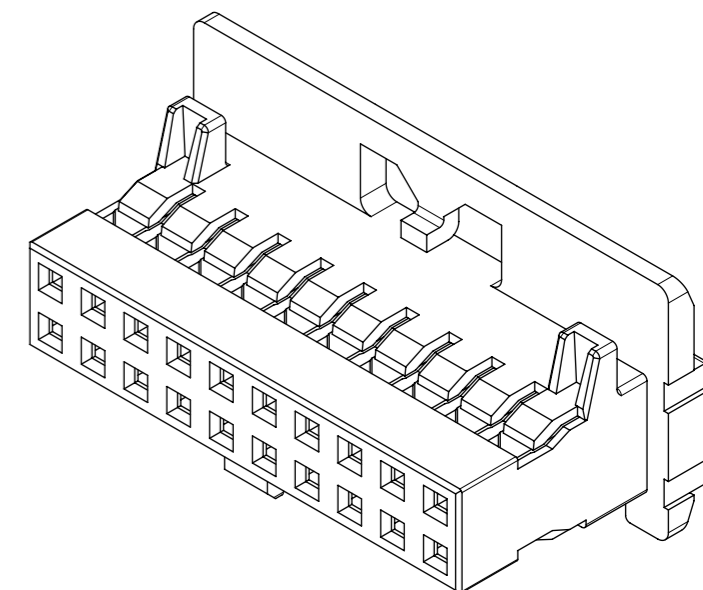
1510140014
14CKTS



1510140016
16CKTS



1510140018
18CKTS



1510140020
20CKTS

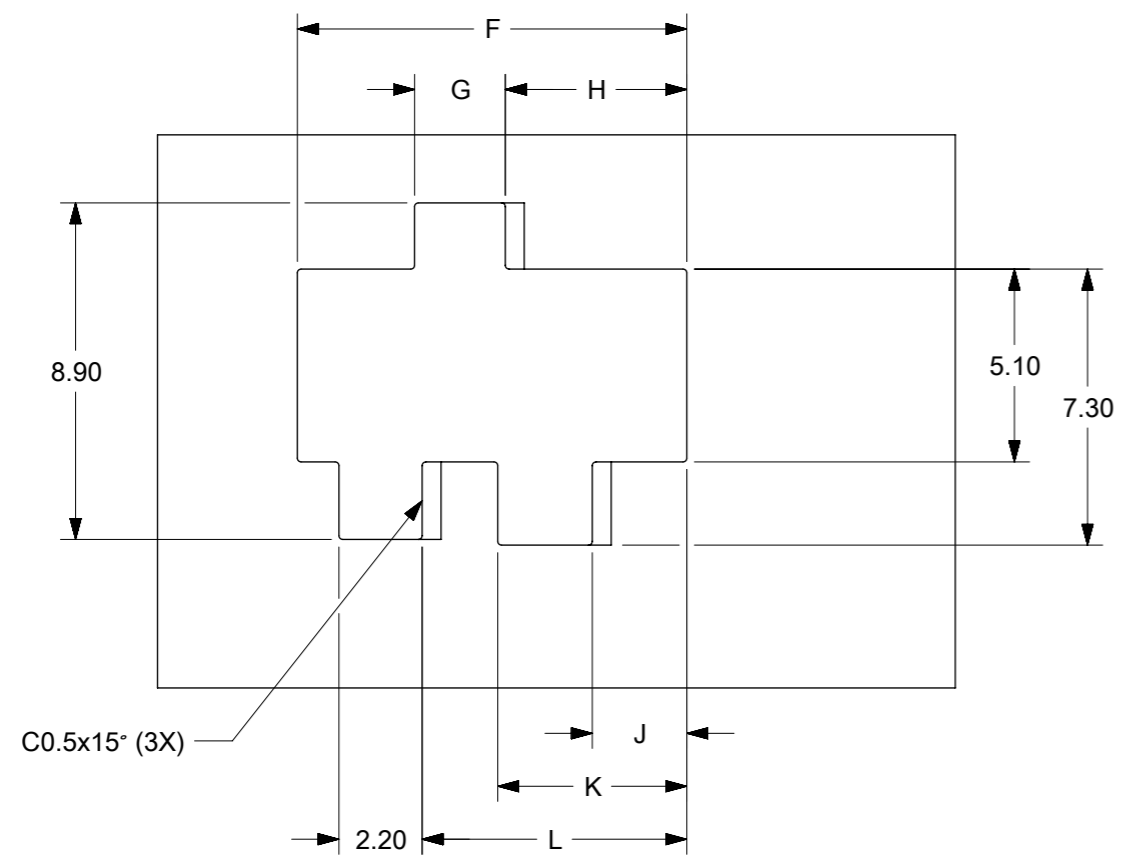
B

A

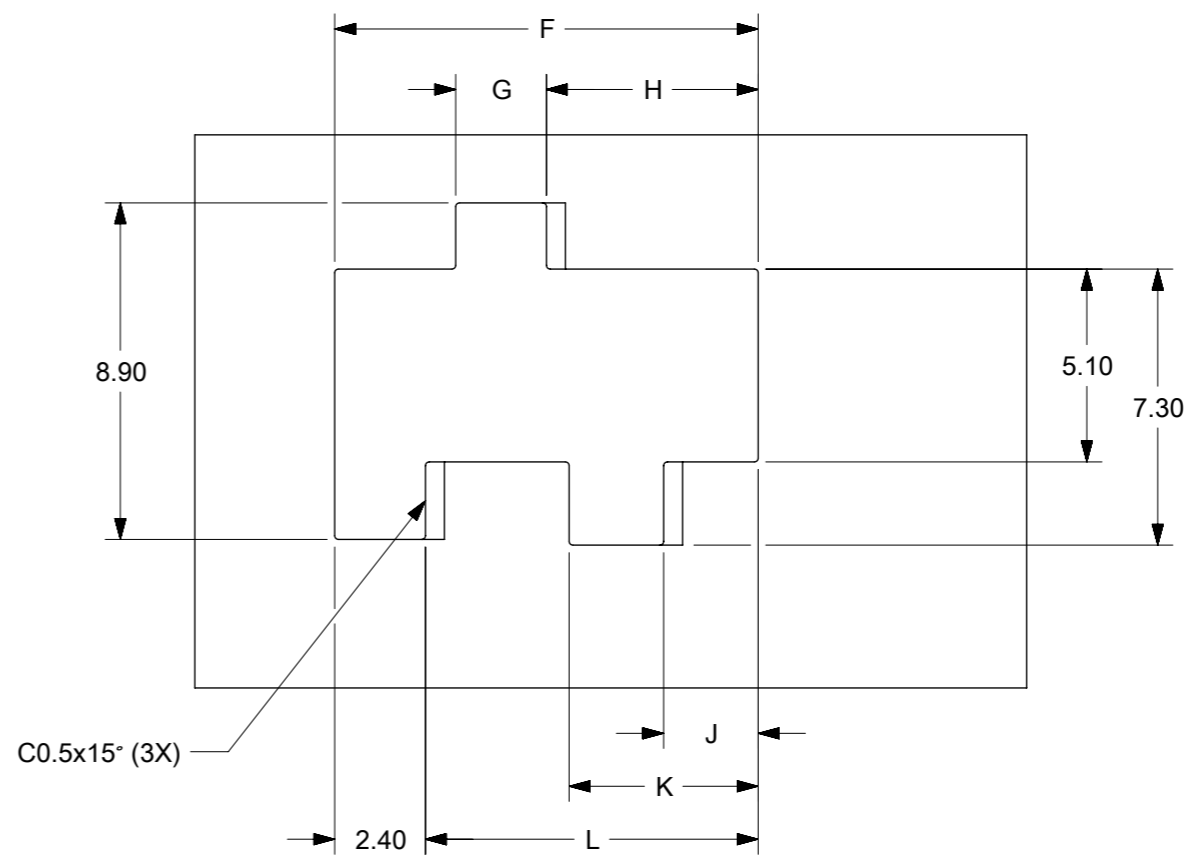
THIS DRAWING CONTAINS INFORMATION THAT IS PROPRIETARY TO MOLEX ELECTRONIC TECHNOLOGIES, LLC AND SHOULD NOT BE USED WITHOUT WRITTEN PERMISSION									
DIMENSION UNITS		SCALE		CURRENT REV DESC:				molex	
mm		NTS							
GENERAL TOLERANCES (UNLESS SPECIFIED)				EC NO: 635690		DRWN: ABABUPS		2020/04/07	
4 PLACES		±		CHK'D: MRAMAKRISHNA		2020/04/10		PRODUCT CUSTOMER DRAWING	
3 PLACES		±		APPR: MRAMAKRISHNA		2020/04/10		DOCUMENT NUMBER	
2 PLACES		± 0.2		INITIAL REVISION:		DRWN: GMENARLY		2015/06/15	
1 PLACE		±		APPR: KHLIM		2015/06/29		SD-151014-0001	
0 PLACES		±		THIRD ANGLE PROJECTION		DRAWING		SERIES	
ANGULAR TOL		± 3.0°		DRAFT WHERE APPLICABLE MUST REMAIN WITHIN DIMENSIONS		A3-SIZE		151014	
MATERIAL NUMBER		CUSTOMER		SHEET NUMBER		DOC TYPE		DOC PART	
SEE TABLE		GENERAL MARKET		2 OF 4		PSD		001 A2	

DOCUMENT STATUS	P1	RELEASE DATE	2020/04/10	15:46:06
-----------------	----	--------------	------------	----------

9 8 7 6 5 4 3 2 1



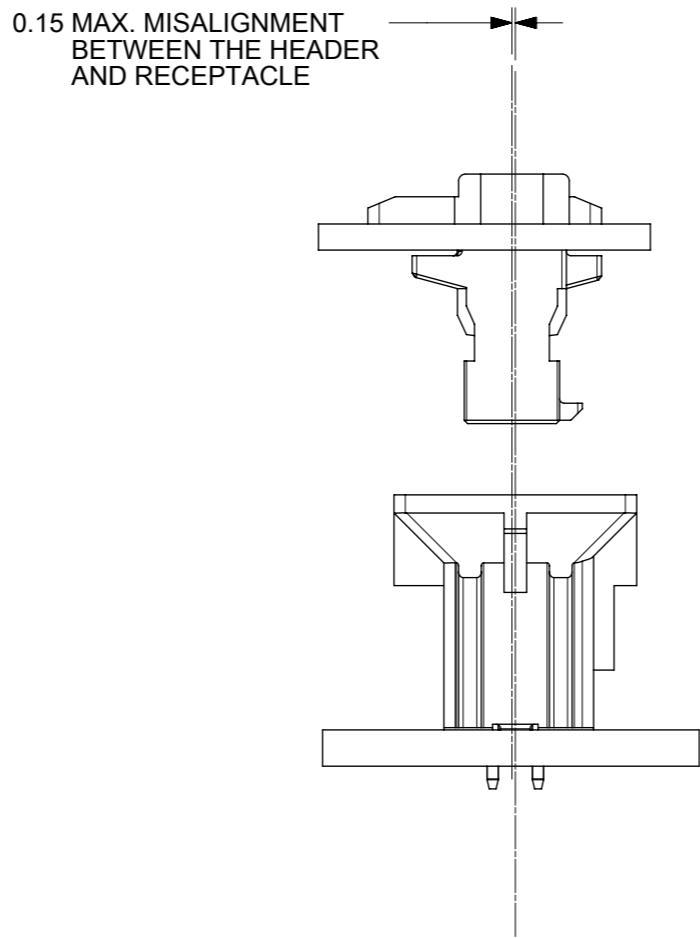
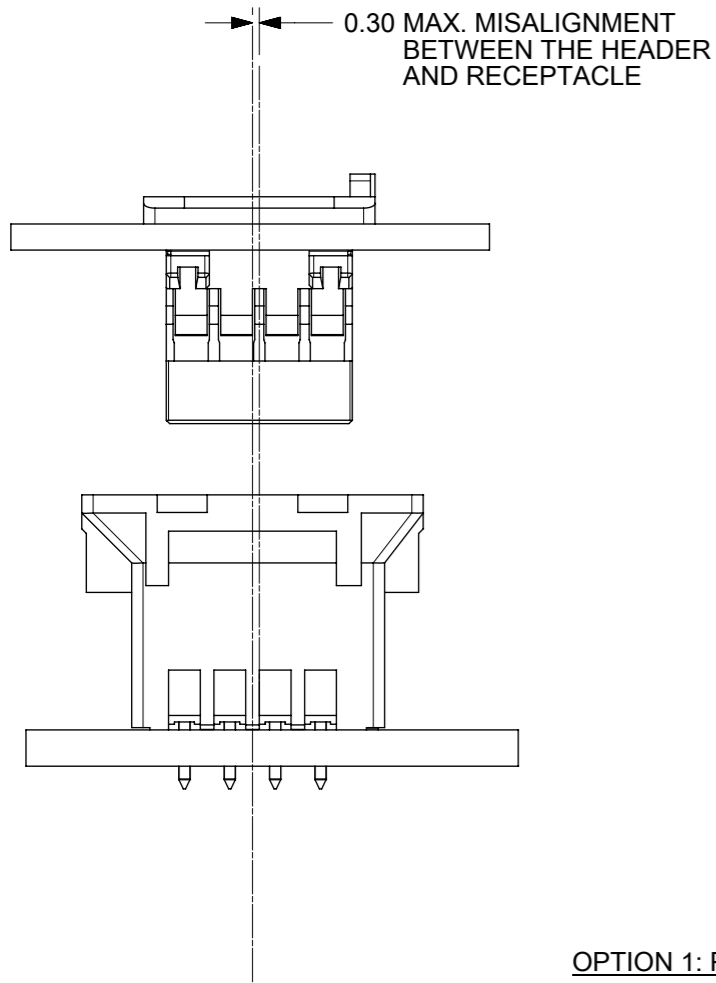
RECOMMENDED PANEL TOLERANCE ±0.10
 THICKNESS 1.15 ±0.10
 FOR 6 CIRCUITS



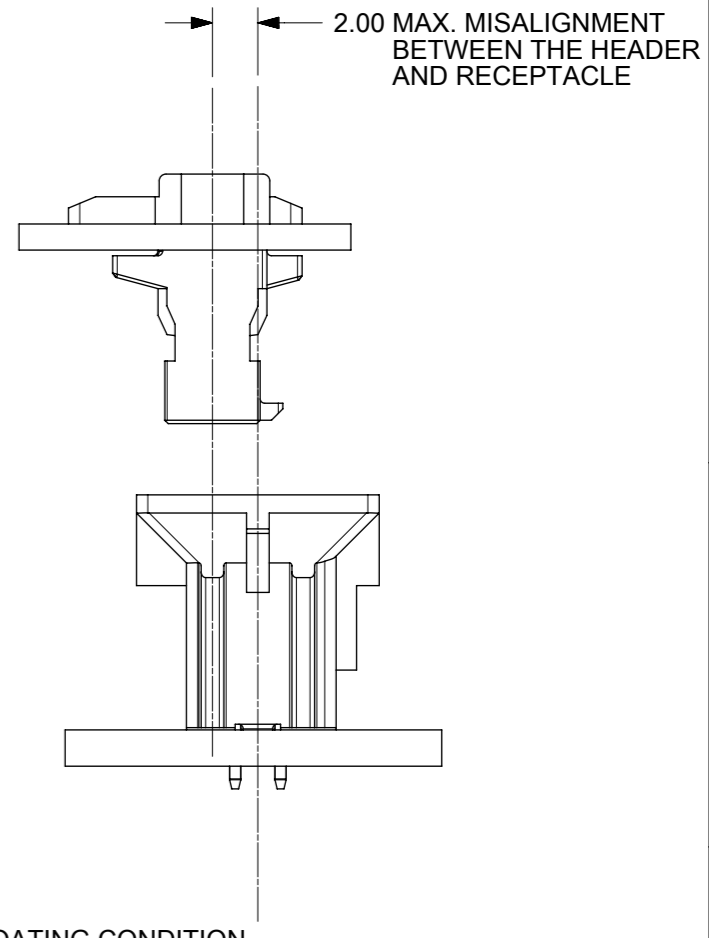
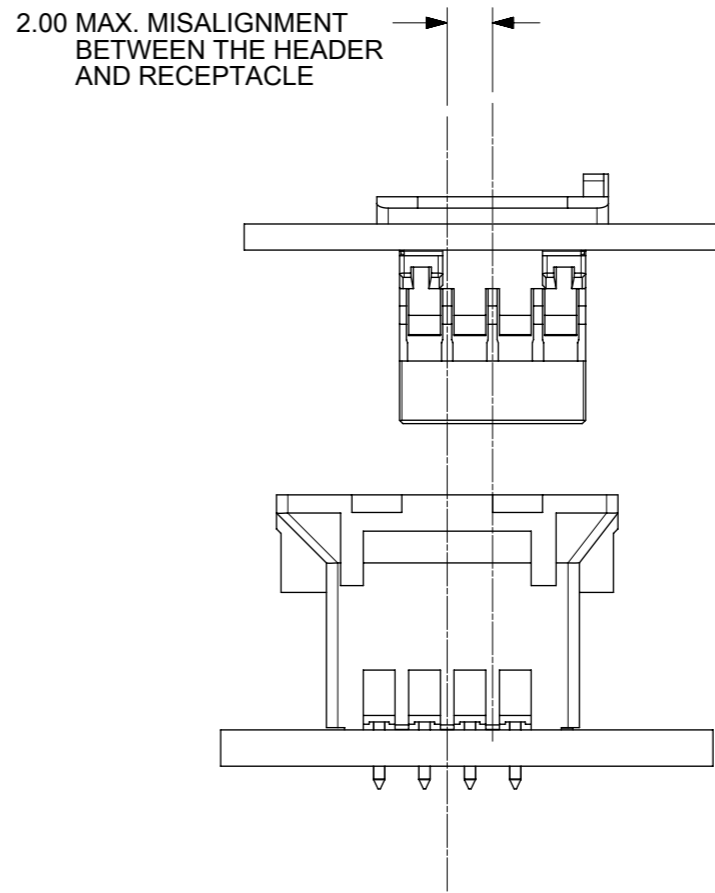
RECOMMENDED PANEL TOLERANCE ±0.10
 THICKNESS 1.15 ±0.10
 FOR 8, 10, 12, 14, 16, 18 AND 20 CKTS

THIS DRAWING CONTAINS INFORMATION THAT IS PROPRIETARY TO MOLEX ELECTRONIC TECHNOLOGIES, LLC AND SHOULD NOT BE USED WITHOUT WRITTEN PERMISSION									
DIMENSION UNITS		SCALE		CURRENT REV DESC:				molex	
mm		NTS							
GENERAL TOLERANCES (UNLESS SPECIFIED)									
		MM		INCH					
4 PLACES		±		±		EC NO: 635690			
3 PLACES		±		±		DRWN: ABABUPS 2020/04/07			
2 PLACES		± 0.2		±		CHK'D: MRAMAKRISHNA 2020/04/10			
1 PLACE		±		±		APPR: MRAMAKRISHNA 2020/04/10			
0 PLACES		±		±		INITIAL REVISION:			
ANGULAR TOL		± 3.0°		± 3.0°		DRWN: GMENARLY 2015/06/15			
						APPR: KHLIM 2015/06/29			
DRAFT WHERE APPLICABLE MUST REMAIN WITHIN DIMENSIONS				THIRD ANGLE PROJECTION		DRAWING		SERIES	
						A3-SIZE		151014	
				MATERIAL NUMBER		CUSTOMER		SHEET NUMBER	
				SEE TABLE		GENERAL MARKET		3 OF 4	

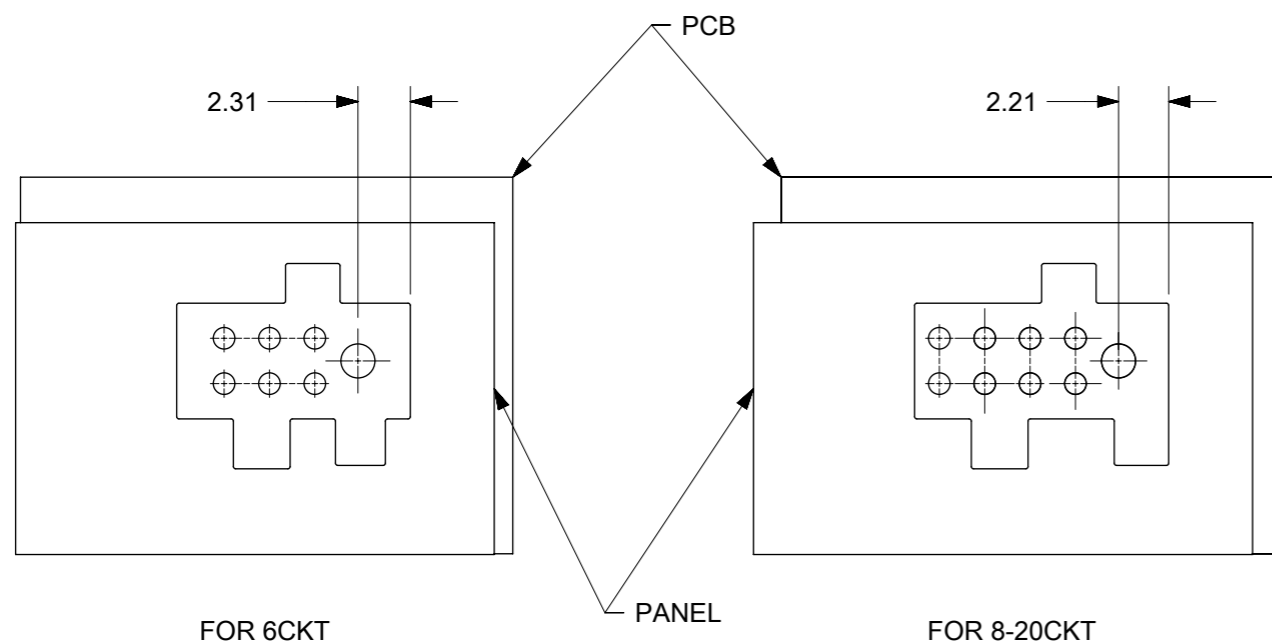
DOCUMENT STATUS	P1	RELEASE DATE	2020/04/10	15:46:06
-----------------	----	--------------	------------	----------



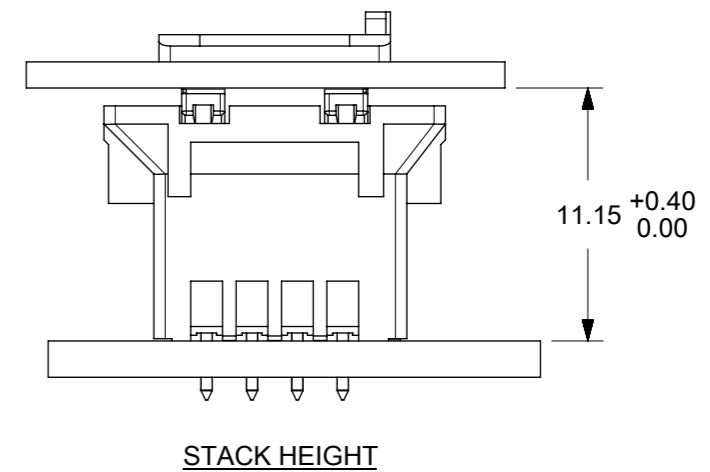
OPTION 1: PANEL IN FIXED CONDITION



OPTION 2: PANEL IN FLOATING CONDITION



PANEL AND PCB ALLIGNMENT



THIS DRAWING CONTAINS INFORMATION THAT IS PROPRIETARY TO MOLEX ELECTRONIC TECHNOLOGIES, LLC AND SHOULD NOT BE USED WITHOUT WRITTEN PERMISSION											
DIMENSION UNITS		SCALE		CURRENT REV DESC:							
mm		NTS		<p>molex</p> <p>2MM PITCH CRIMP RECEPTACLE HOUSING WITH PANEL MOUNT FEATURE</p> <p>PRODUCT CUSTOMER DRAWING</p>							
GENERAL TOLERANCES (UNLESS SPECIFIED)				<p>EC NO: 635690</p> <p>DRWN: ABABUPS 2020/04/07</p> <p>CHK'D: MRAMAKRISHNA 2020/04/10</p> <p>APPR: MRAMAKRISHNA 2020/04/10</p>							
ANGULAR TOL ± 3.0°				INITIAL REVISION:							
4 PLACES ±				DRWN: GMENARLY 2015/06/15							
3 PLACES ±				APPR: KHLIM 2015/06/29							
2 PLACES ± 0.2				DOCUMENT NUMBER		DOC TYPE		DOC PART		REVISION	
1 PLACE ±				SD-151014-0001		PSD		001		A2	
0 PLACES ±				MATERIAL NUMBER		CUSTOMER		SHEET NUMBER			
DRAFT WHERE APPLICABLE MUST REMAIN WITHIN DIMENSIONS				THIRD ANGLE PROJECTION		DRAWING		SERIES			
						A3-SIZE		151014		GENERAL MARKET 4 OF 4	