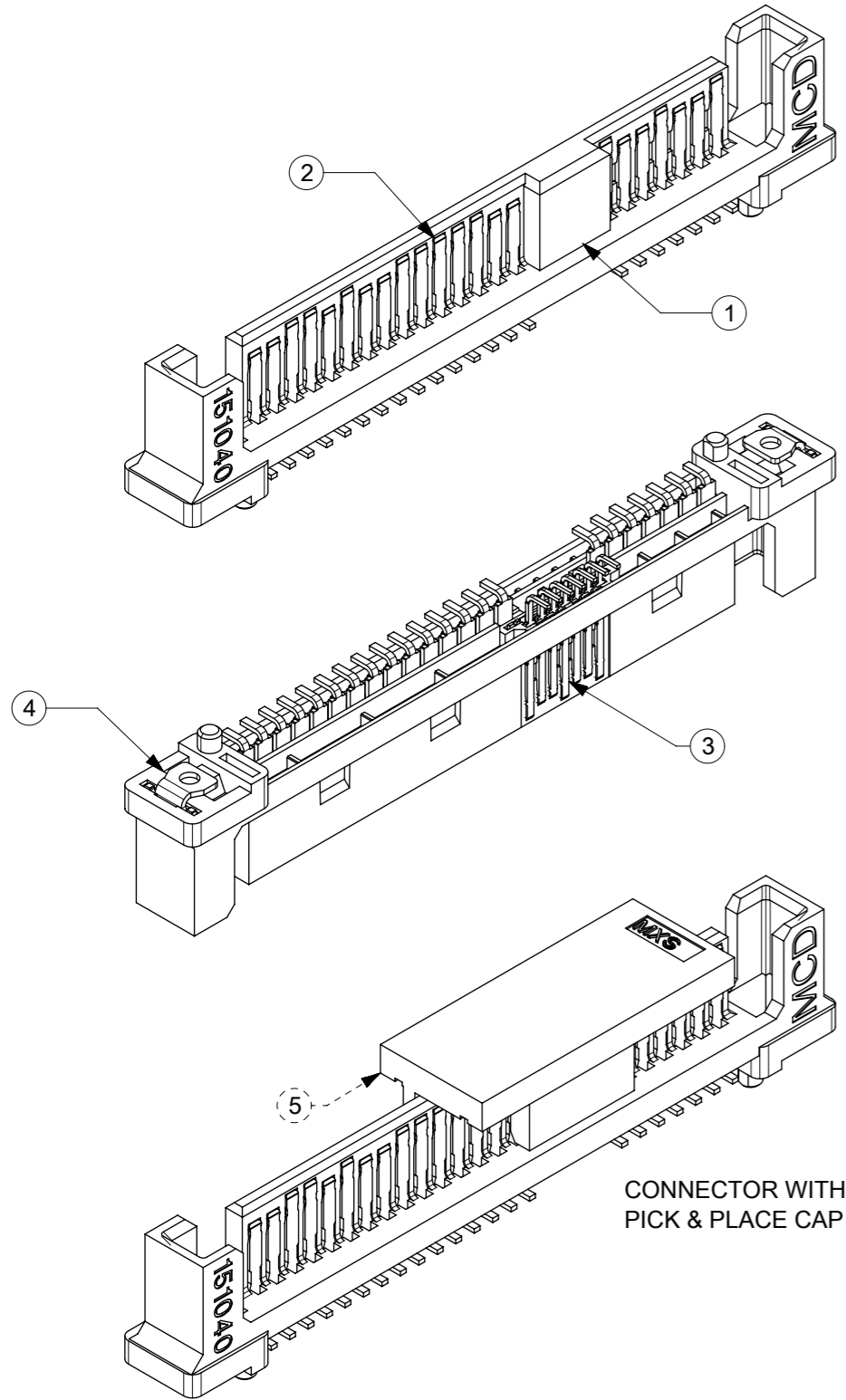


TABLE 1 : PARTS MATERIAL

NO.	COMPONENT NAME	QTY	MATERIAL
1	HOUSING	1	LIQUID CRYSTAL POLYMER (LCP), UL94 V-0, BLACK
2	CONTACT A	22	COPPER ALLOY
3	CONTACT B	7	COPPER ALLOY
4	FITTING NAIL	2	COPPER ALLOY
5	PICK & PLACE CAP	1	POLYAMIDE (PA), UL94 V-0, BLACK
6	GROUND BLADE	1	COPPER ALLOY

NOTES:

1. MATERIALS: SEE TABLE 1
2. FINISHES: SEE TABLE 2
3. PRODUCT SPECIFICATION: PS-151040-0001
4. PACKAGING SPECIFICATION: PK-151040-0001
5. MATES WITH: MOLEX SAS RECEPTACLES
6. DATE CODE FORMAT: 'YYDDD'
WHERE 'YY' IS YEAR, 'DDD' IS DAY OF MANUFACTURE
- △ MOLEX LOGO, CAVITY ID AND DATE CODE LOCATED APPROXIMATELY AS SHOWN
8. PRODUCT IS COMPLIANT WITH SFF-8680
9. REFER TO AS-151040-0001 FOR PCB ROUTING RECOMMENDATIONS



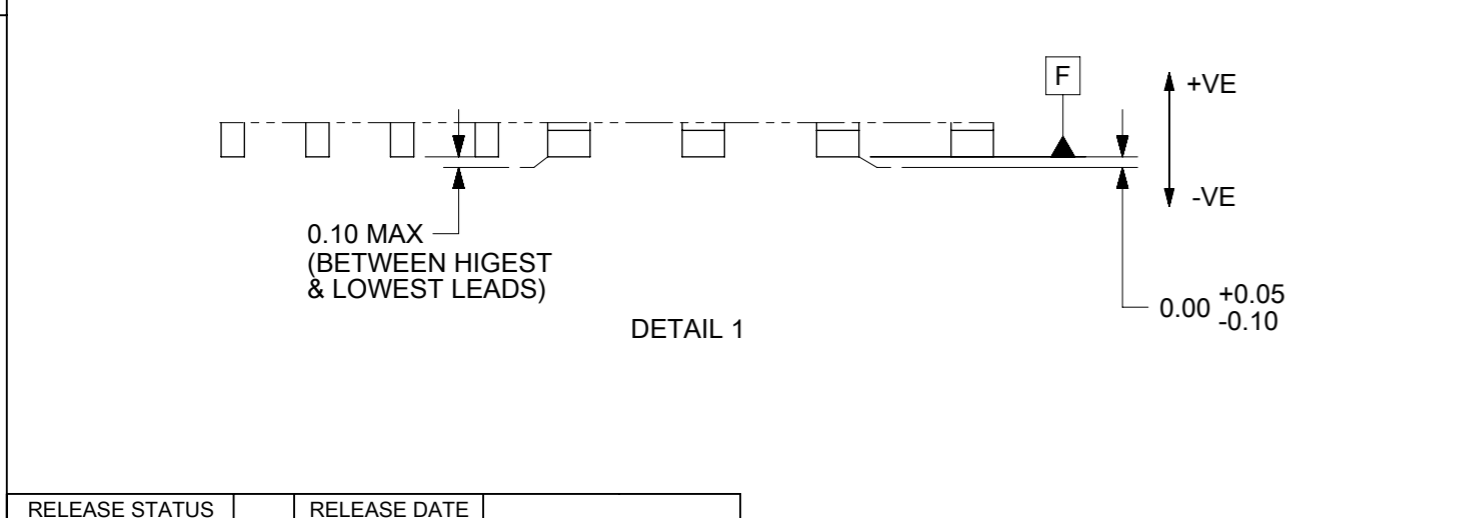
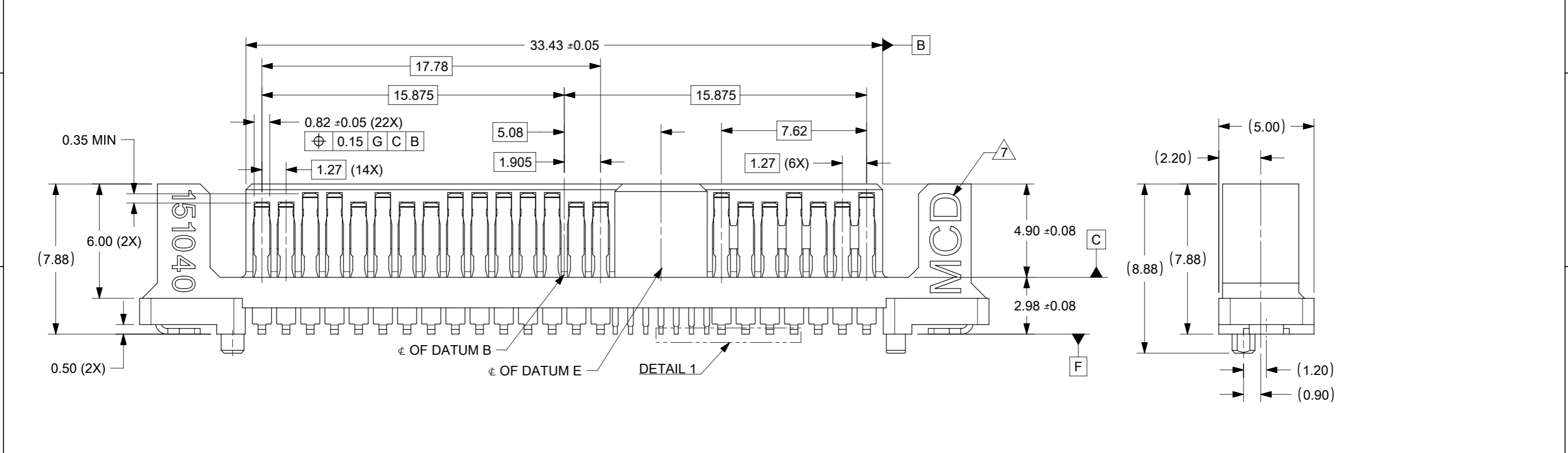
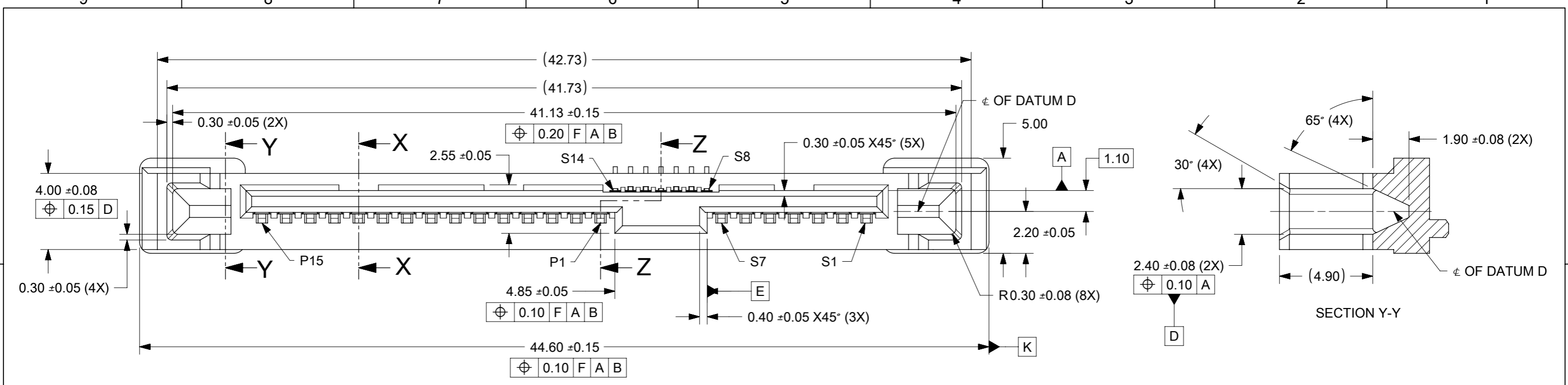
CONNECTOR WITH PICK & PLACE CAP

TABLE 2 : FINISHES

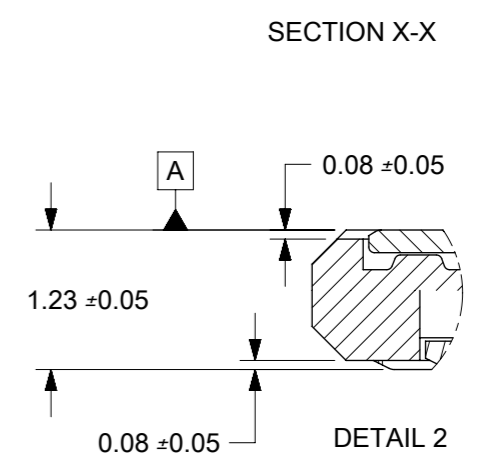
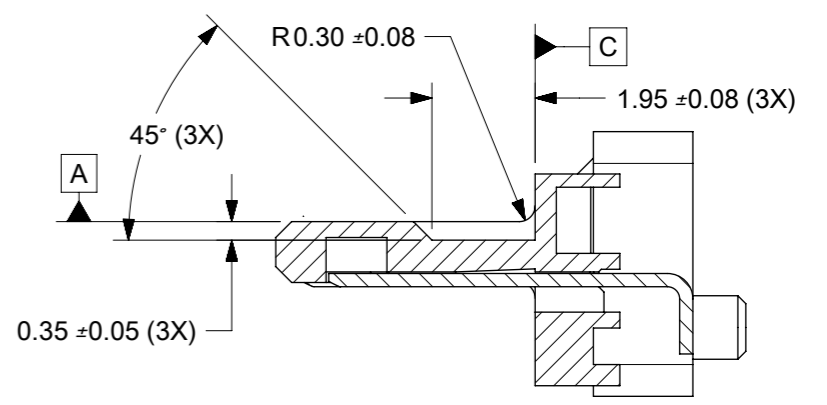
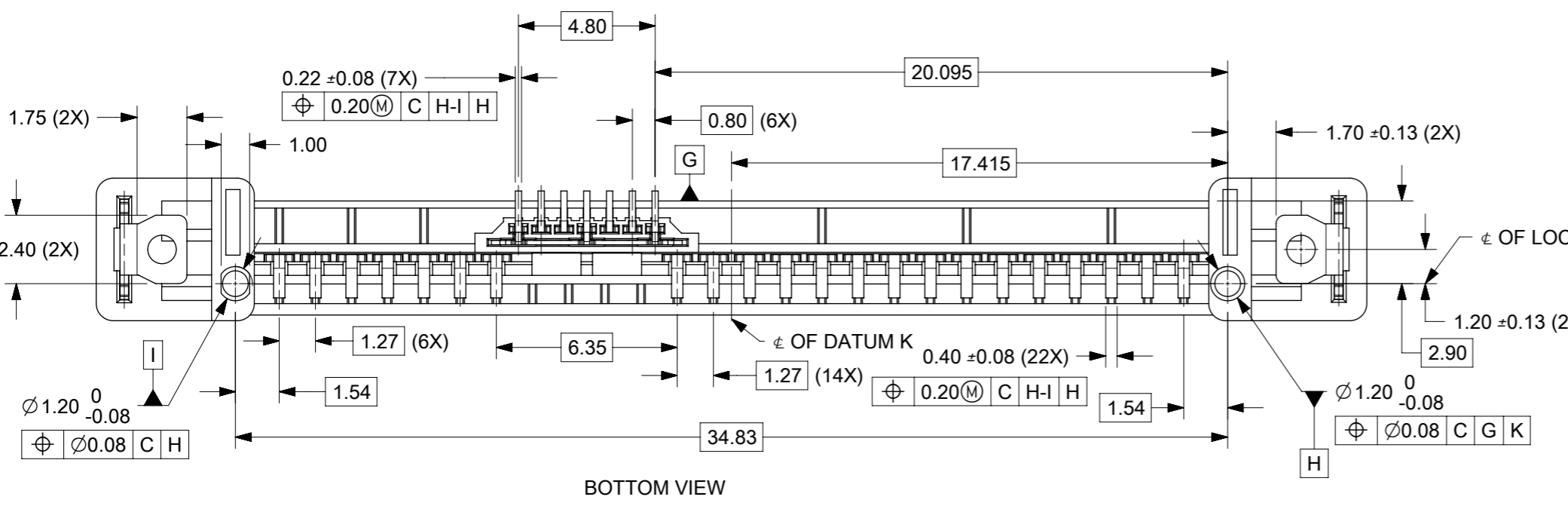
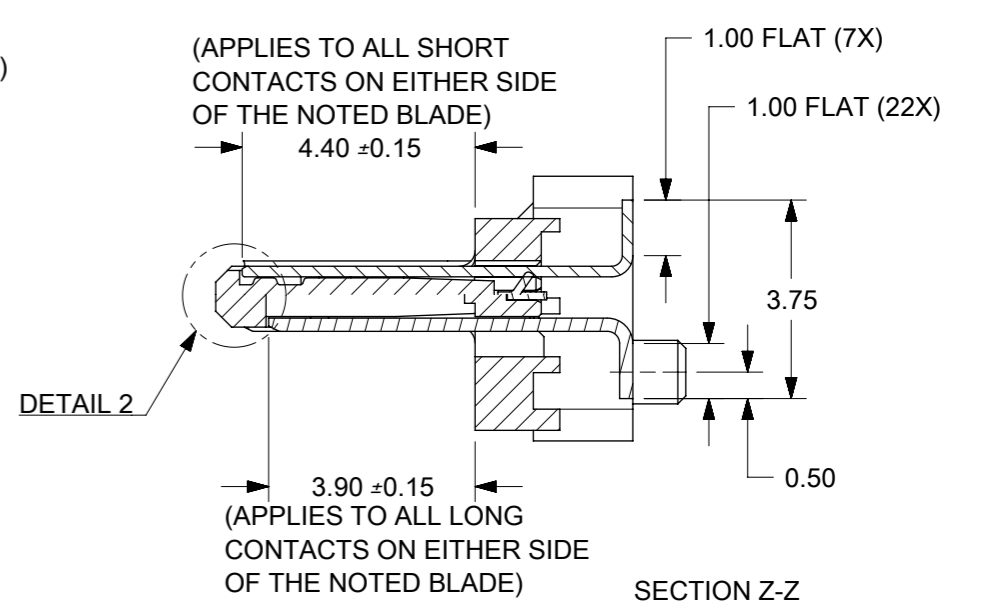
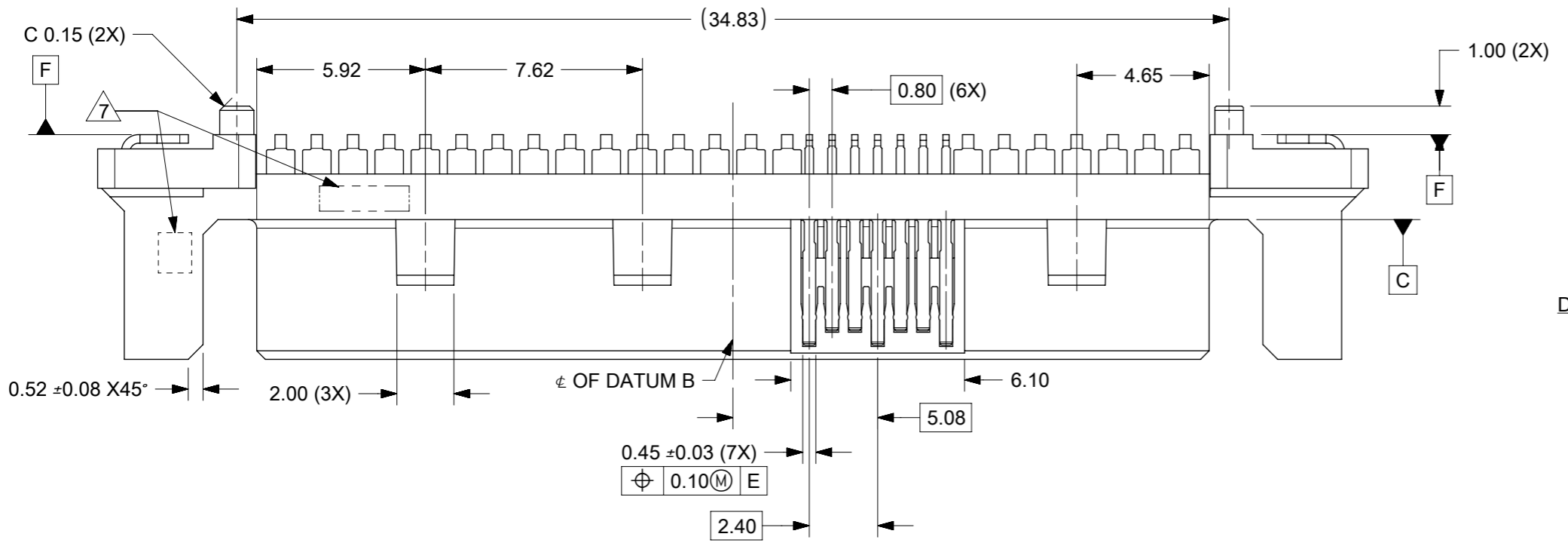
PART NUMBER	TERMINAL	FITTING NAIL
151040-0001	CONTACT: 0.76 MICROMETER MIN. GOLD OVER 1.27 MICROMETER MIN. NICKEL UNDERPLATE SOLDERTAIL: 2.54 MICROMETER MIN. TIN OVER 1.27 MICROMETER MIN. NICKEL UNDERPLATE OTHER AREA: 1.27 MICROMETER MIN. NICKEL UNDERPLATE	2.54 MICROMETER MIN. TIN OVER 1.27 MICROMETER MIN. NICKEL
151040-0002	CONTACT: 0.38 MICROMETER MIN. GOLD OVER 1.27 MICROMETER MIN. NICKEL UNDERPLATE SOLDERTAIL: 2.54 MICROMETER MIN. TIN OVER 1.27 MICROMETER MIN. NICKEL UNDERPLATE OTHER AREA: 1.27 MICROMETER MIN. NICKEL UNDERPLATE	

THIS DESIGN IS BASED ON DESIGN OBJECTIVES AND IS STRICTLY TENTATIVE. IT MAY CHANGE BASED ON RESULTS OF ADDITIONAL DESIGN REVIEWS AND VERIFICATIONS.

<p>QUALITY SYMBOLS</p> <p>FA = 0</p> <p>FE = 0</p> <p>FB = 0</p> <p>FV = 0</p> <p>FC = 0</p> <p>FX = 0</p> <p>FS = 0</p> <p>FV = 0</p>	THIS DRAWING CONTAINS INFORMATION THAT IS PROPRIETARY TO MOLEX ELECTRONIC TECHNOLOGIES, LLC AND SHOULD NOT BE USED WITHOUT WRITTEN PERMISSION																
	<p>LOGO UPDATE</p> <p>EC NO: 177666</p> <p>DRWN: BTEJA</p> <p>CHK'D: CCTEH</p> <p>REV APPR: SHLENI</p>	2018/12/15		2018/06/11		2018/06/21		GENERAL TOLERANCES (UNLESS SPECIFIED)		DIMENSION UNITS		SCALE					
		ANGULAR TOL ± 3.0 °						MM ONLY		NTS							
		4 PLACES ±		3 PLACES ±		2 PLACES ± 0.2		1 PLACE ±		0 PLACES ±				DRWN BY		DATE	
		4 PLACES ±		3 PLACES ±		2 PLACES ± 0.2		1 PLACE ±		0 PLACES ±				JAKEEMEW		2014/01/20	
		4 PLACES ±		3 PLACES ±		2 PLACES ± 0.2		1 PLACE ±		0 PLACES ±				CCTEH		2014/04/28	
	4 PLACES ±		3 PLACES ±		2 PLACES ± 0.2		1 PLACE ±		0 PLACES ±		SHLENI			2014/05/14			
	DRAFT WHERE APPLICABLE MUST REMAIN WITHIN DIMENSIONS						A3		THIRD ANGLE PROJECTION		SERIES		MATERIAL NUMBER		CUSTOMER		
							A3		THIRD ANGLE PROJECTION		151040		SEE TABLE		GENERAL MARKET		
							A3		THIRD ANGLE PROJECTION		DOCUMENT NUMBER		DOC TYPE		DOC PART		SHEET NUMBER
						A3		THIRD ANGLE PROJECTION		SD-151040-0001		PSD		000		1 OF 5	

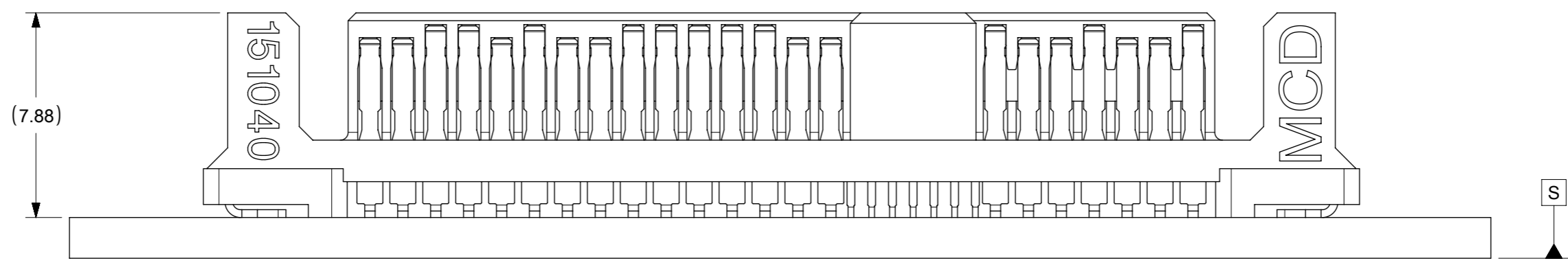
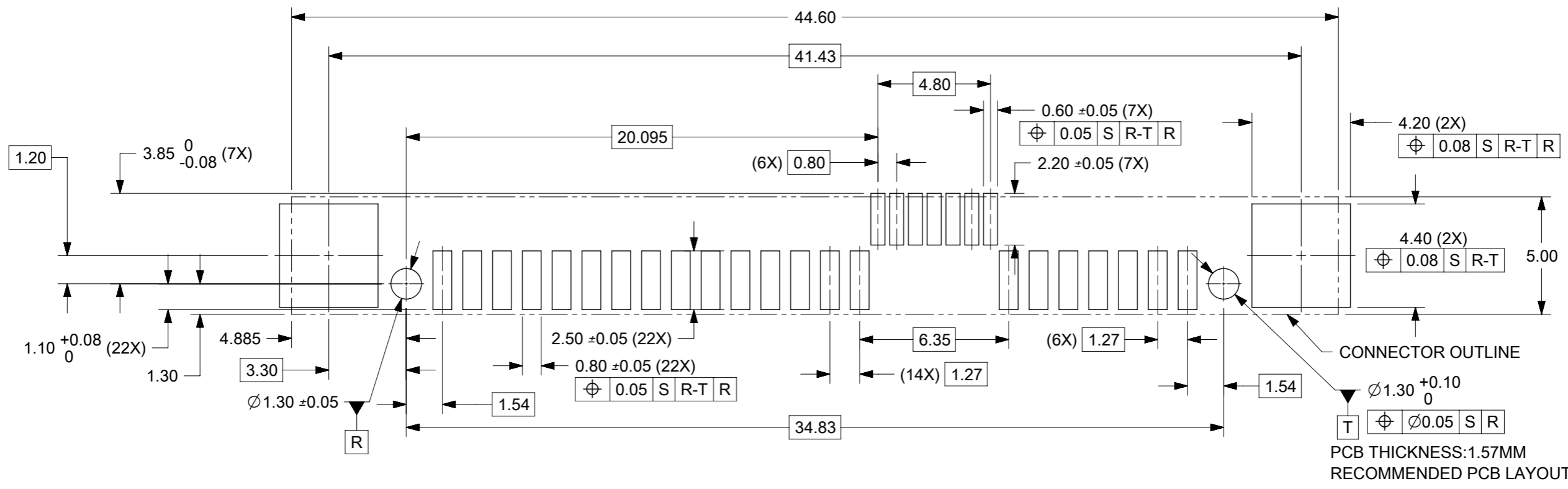


THIS DRAWING CONTAINS INFORMATION THAT IS PROPRIETARY TO MOLEX ELECTRONIC TECHNOLOGIES, LLC AND SHOULD NOT BE USED WITHOUT WRITTEN PERMISSION											
QUALITY SYMBOLS		LOGO UPDATE		GENERAL TOLERANCES (UNLESS SPECIFIED)		DIMENSION UNITS		SCALE			
▽A	= 0	EC NO: 177666	2016/12/15	ANGULAR TOL ± 3.0 °		MM ONLY	NTS				
▽E	= 0	DRWN: BTEJA	2018/06/11	4 PLACES ±		DRWN BY	DATE			SERIAL ATTACHED SCSI 12G PLUG 7.88MM HEIGHT VERTICAL SMT	
▽F	= 0	CHK'D: CCTEH	2018/06/21	3 PLACES ±		JAKEEMEW	2014/01/20				
▽G	= 0	APPR: SHLENI		2 PLACES ± 0.2		CHK'D BY	DATE			PRODUCT CUSTOMER DRAWING	
▽H	= 0			1 PLACE ±		CCTEH	2014/04/28				
▽I	= 0			0 PLACES ±		APPR BY	DATE			SERIES: 151040 MATERIAL NUMBER: SEE TABLE CUSTOMER: GENERAL MARKET	
▽J	= 0			DRAFT WHERE APPLICABLE MUST REMAIN WITHIN DIMENSIONS		SHLENI	2014/05/14				
▽K	= 0					DRAWING SIZE	THIRD ANGLE PROJECTION			DOCUMENT NUMBER: SD-151040-0001 DOC TYPE: PSD DOC PART: 000 SHEET NUMBER: 2 OF 5	
▽L	= 0					A3					
▽M	= 0										
▽N	= 0										
▽O	= 0										
▽P	= 0										
▽Q	= 0										
▽R	= 0										
▽S	= 0										
▽T	= 0										
▽U	= 0										
▽V	= 0										
▽W	= 0										
▽X	= 0										
▽Y	= 0										
▽Z	= 0										

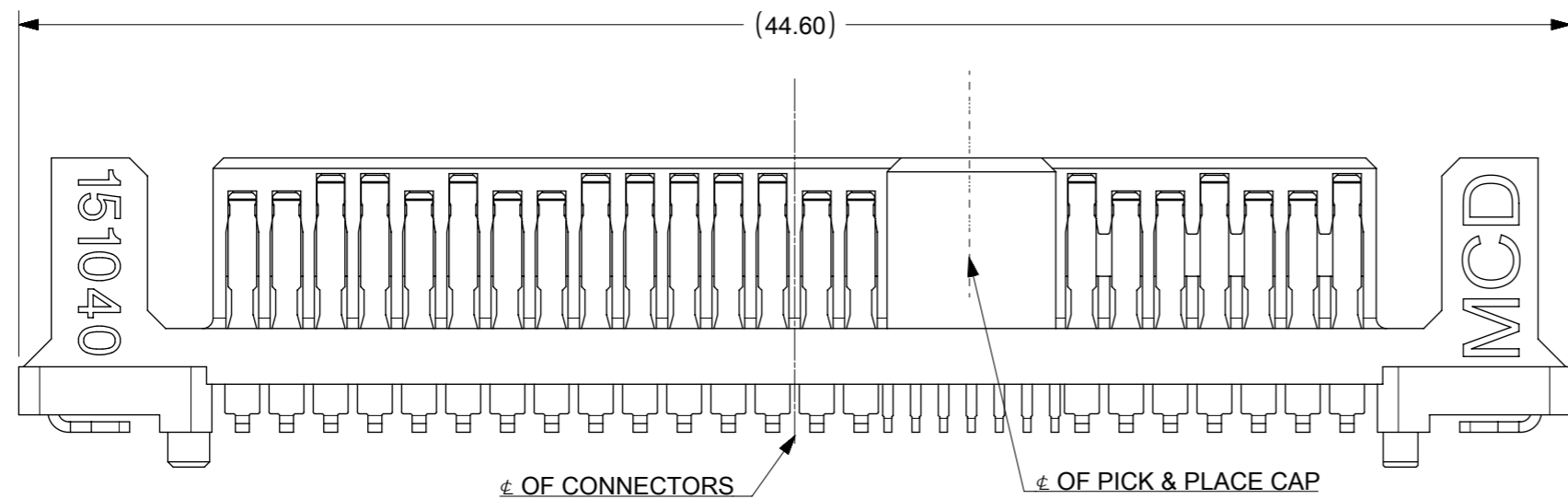
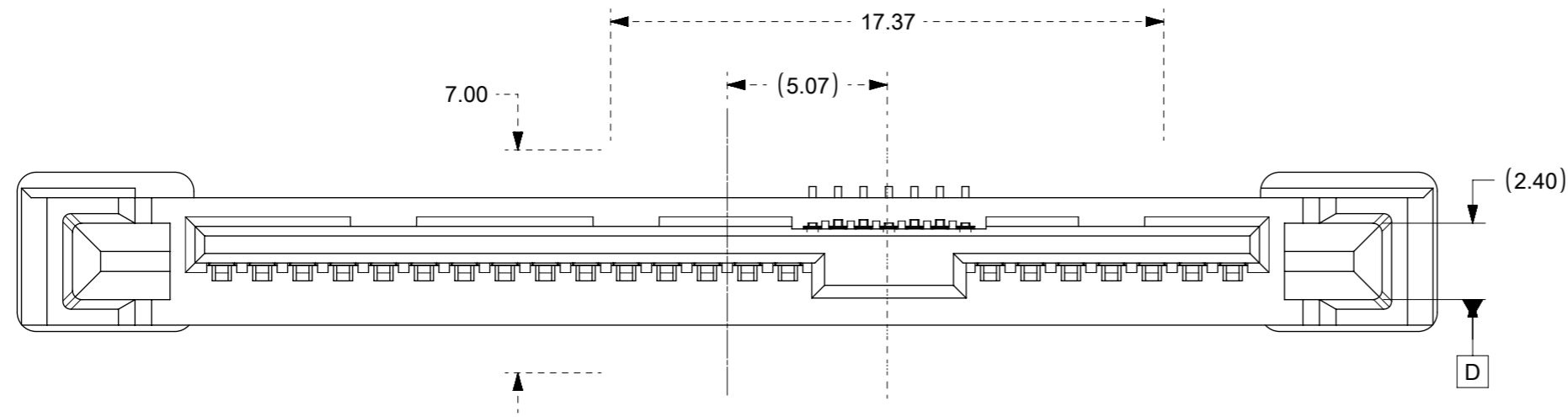


RELEASE STATUS: RELEASE DATE: 9 8 7 6 5 4 3 2 1

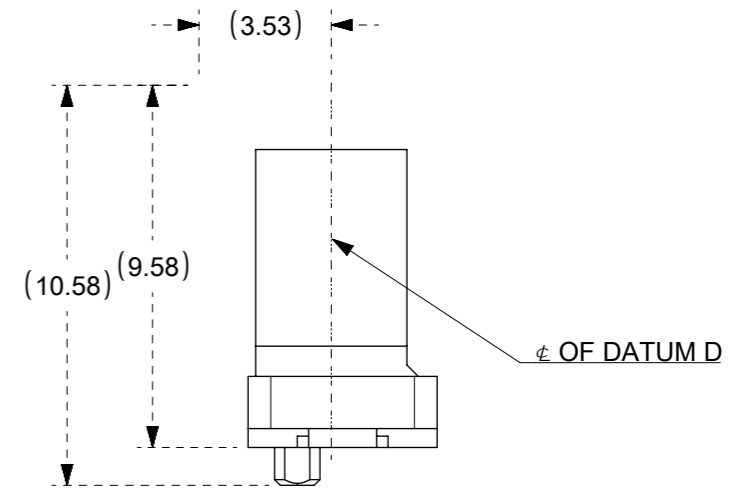
QUALITY SYMBOLS 	THIS DRAWING CONTAINS INFORMATION THAT IS PROPRIETARY TO MOLEX ELECTRONIC TECHNOLOGIES, LLC AND SHOULD NOT BE USED WITHOUT WRITTEN PERMISSION										
	LOGO UPDATE EC NO: 177666 DRWN: BTEJA CHK'D: CCTEH APPR: SHLENI	2016/12/15	2018/06/11	2018/06/21	GENERAL TOLERANCES (UNLESS SPECIFIED)		DIMENSION UNITS		SCALE		
					ANGULAR TOL ± 3.0 °		MM ONLY		NTS		
					4 PLACES ±	DRWN BY		DATE		SERIAL ATTACHED SCSI 12G PLUG 7.88MM HEIGHT VERTICAL SMT	
					3 PLACES ±	JAKEEMEW		2014/01/20			
					2 PLACES ± 0.2	CHK'D BY		DATE			
				1 PLACE ±	CCTEH		2014/04/28				
				0 PLACES ±	DRAFT WHERE APPLICABLE MUST REMAIN WITHIN DIMENSIONS		APPR BY		DATE		PRODUCT CUSTOMER DRAWING
					A3		SHLENI		2014/05/14		
					THIRD ANGLE PROJECTION		DRAWING SIZE		SERIES		
					A		REV		MATERIAL NUMBER		CUSTOMER GENERAL MARKET
					SD-151040-0001		151040		SEE TABLE		
										DOCUMENT NUMBER DOC TYPE DOC PART SHEET NUMBER SD-151040-0001 PSD 000 3 OF 5	



THIS DRAWING CONTAINS INFORMATION THAT IS PROPRIETARY TO MOLEX ELECTRONIC TECHNOLOGIES, LLC AND SHOULD NOT BE USED WITHOUT WRITTEN PERMISSION									
QUALITY SYMBOLS □ = 0 ▽ = 0 ▽ = 0 ▽ = 0 ▽ = 0 ▽ = 0 ▽ = 0 ▽ = 0 ▽ = 0 ▽ = 0 ▽ = 0	LOGO UPDATE EC NO: 177666 DRWN: BTEJA CHK'D: CCTEH APPR: SHLENI	GENERAL TOLERANCES (UNLESS SPECIFIED) DIMENSION UNITS: MM ONLY SCALE: NTS							
		ANGULAR TOL ± 3.0 °				DRWN BY: JAKEEMEW DATE: 2014/01/20			
		4 PLACES ±		CHK'D BY: CCTEH DATE: 2014/04/28		SERIAL ATTACHED SCSI 12G PLUG 7.88MM HEIGHT VERTICAL SMT			
		3 PLACES ±		APPR BY: SHLENI DATE: 2014/05/14					
		2 PLACES ± 0.2		DRAWING SIZE: A3 THIRD ANGLE PROJECTION		PRODUCT CUSTOMER DRAWING			
		1 PLACE ±		DRAFT WHERE APPLICABLE MUST REMAIN WITHIN DIMENSIONS		SERIES: 151040 MATERIAL NUMBER: SEE TABLE CUSTOMER: GENERAL MARKET			
		0 PLACES ±		A3		DOCUMENT NUMBER: SD-151040-0001 DOC TYPE: PSD DOC PART: 000 SHEET NUMBER: 4 OF 5			
		RELEASE STATUS:		RELEASE DATE:		DATE: 2015/12/14			



WITH CAP VIEW



THIS DRAWING CONTAINS INFORMATION THAT IS PROPRIETARY TO MOLEX ELECTRONIC TECHNOLOGIES, LLC AND SHOULD NOT BE USED WITHOUT WRITTEN PERMISSION														
QUALITY SYMBOLS 	LOGO UPDATE EC NO: 177666 DRWN: BTEJA CHK'D: CCTEH APPR: SHLENI	GENERAL TOLERANCES (UNLESS SPECIFIED) ANGULAR TOL ± 3.0 °		DIMENSION UNITS MM ONLY	SCALE NTS									
		4 PLACES ±	3 PLACES ±	2 PLACES ± 0.2	1 PLACE ±							0 PLACES ±	DRWN BY JAKEEMEW	DATE 2014/01/20
		DRAFT WHERE APPLICABLE MUST REMAIN WITHIN DIMENSIONS					CHK'D BY CCTEH	DATE 2014/04/28	SERIAL ATTACHED SCSI 12G PLUG 7.88MM HEIGHT VERTICAL SMT					
							APPR BY SHLENI	DATE 2014/05/14						
						DRAWING SIZE A3	THIRD ANGLE PROJECTION 		SERIES 151040	MATERIAL NUMBER SEE TABLE	CUSTOMER GENERAL MARKET			
										DOCUMENT NUMBER SD-151040-0001	DOC TYPE PSD	DOC PART 000	SHEET NUMBER 5 OF 5	

RELEASE STATUS	RELEASE DATE
----------------	--------------