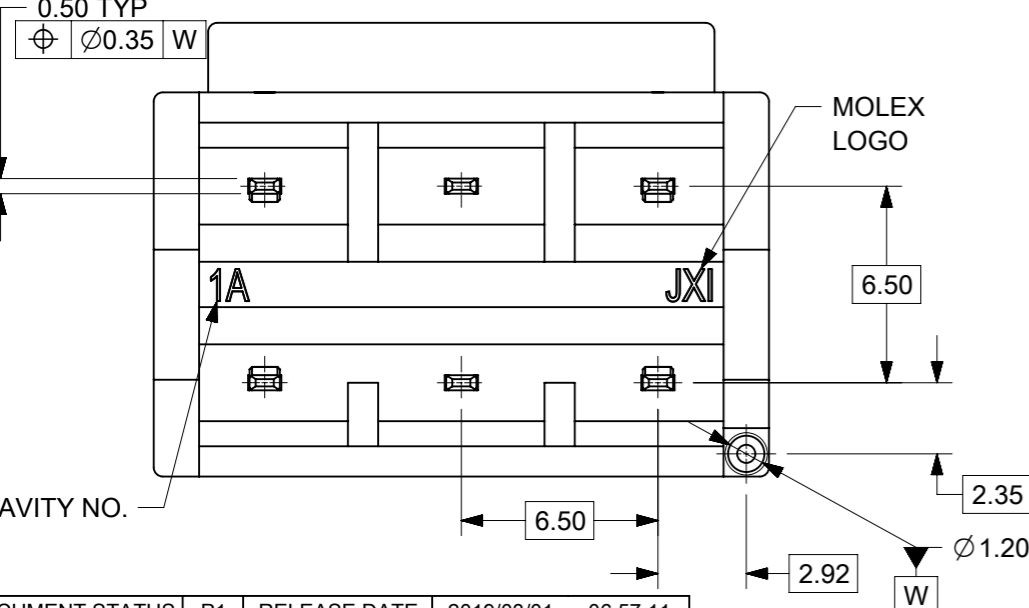
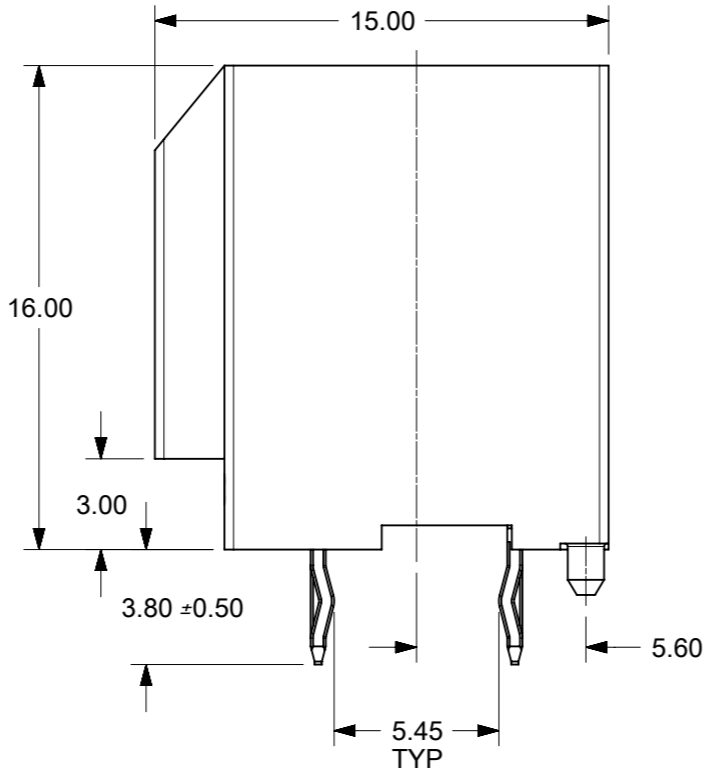
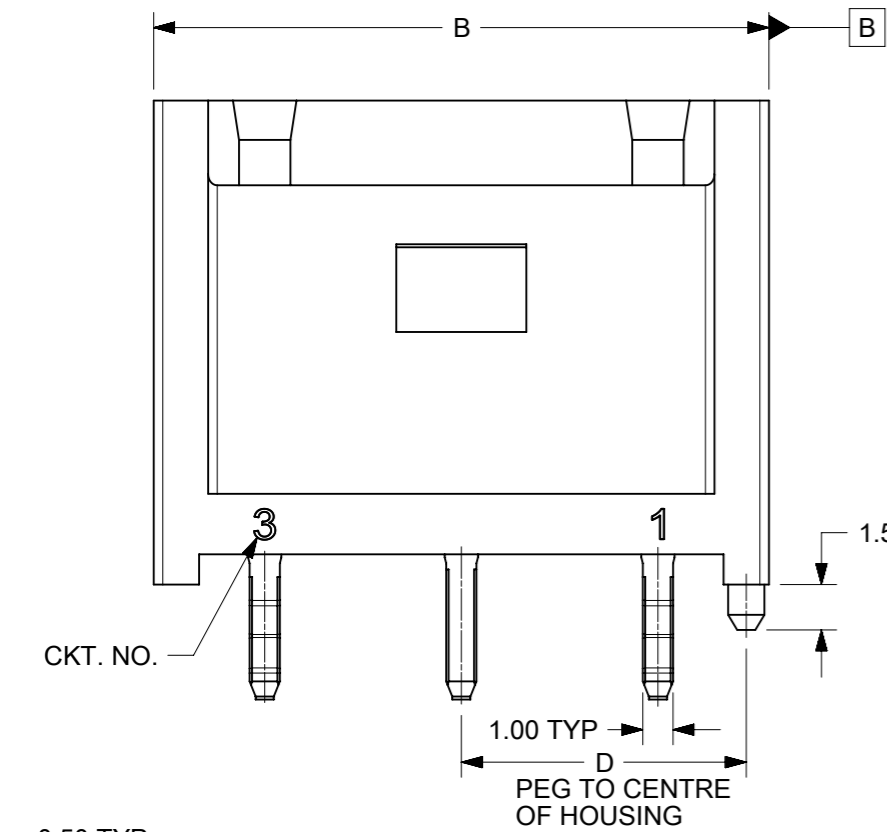


RECOMMENDED PCB BOARD HOLE DIMENSION
(MOUNTING SIDE, THICKNESS: 1.60mm)

- NOTES:
- MATERIALS:
HOUSING: POLYAMIDE(PA), GLASS FILLED, UL94-0
TERMINAL: COPPER ALLOY
 - FINISHES:
TERMINAL: 1.27µM MIN MATTE TIN OVER 1.27µM MIN NICKEL UNDERPLATE.
 - PRODUCT SPECIFICATION: PS-151048-0001
 - PACKAGING SPECIFICATION: REFER TO TABLE
 - REFER TO COSMETIC SPECIFICATION: PS-45499-002(CLASS B)
 - MATES WITH: 151049 SERIES



2	-	7.34	7.34	2.92	REFER TO PAGE 2
4	6.50	13.84	10.74	6.17	REFER TO PAGE 3
6	13.00	20.34	16.74	9.42	REFER TO PAGE 4
CKT. NO.	A	B	C	D	MATERIAL PART NO.

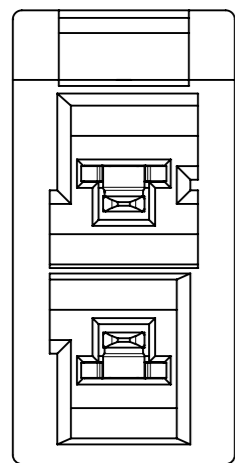
THIS DRAWING CONTAINS INFORMATION THAT IS PROPRIETARY TO MOLEX ELECTRONIC TECHNOLOGIES, LLC AND SHOULD NOT BE USED WITHOUT WRITTEN PERMISSION		CURRENT REV DESC: P/N ADDED		molex	
DIMENSION UNITS	SCALE	EC NO: 612829			
mm	4:1	DRWN: SMAHAJANSHET 2019/02/27		6.5 HEADER ASSY WIRE TO BOARD CONNECTOR	
GENERAL TOLERANCES (UNLESS SPECIFIED)		CHK'D: SMAHAJANSHET 2019/03/01		PRODUCT CUSTOMER DRAWING	
ANGULAR TOL	± 3.0°	APPR: NCSR 2019/03/01		DOCUMENT NUMBER	
4 PLACES	±	INITIAL REVISION:		SD-151048-0001	
3 PLACES	±	DRWN: EANG 2014/03/13		DOC TYPE	
2 PLACES	± 0.2	APPR: KHLIM 2015/07/22		PSD	
1 PLACE	±	MATERIAL NUMBER		001	
0 PLACES	±	CUSTOMER		A2	
DRAFT WHERE APPLICABLE MUST REMAIN WITHIN DIMENSIONS		THIRD ANGLE PROJECTION	DRAWING	SERIES	SHEET NUMBER
			A3-SIZE	151048	1 OF 4

HEADER ASSY WITH POLARIZATION FEATURES AND COLORS 2CKTS

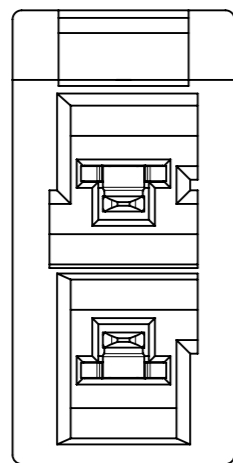
PART NO. LEGEND

151048- X X XX

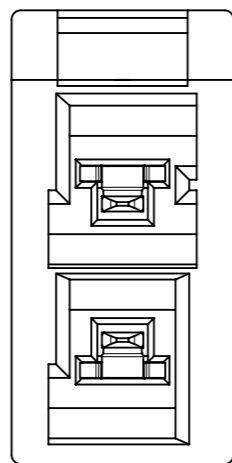
COLOR AND POLARIZATION
CKT NO.
PACKAGING (TRAY)
AND OTHERS



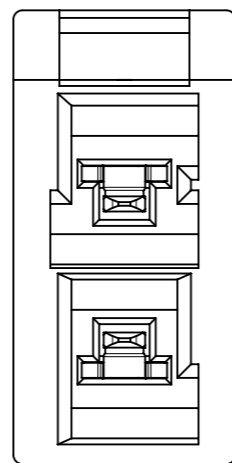
1 151048*200
ORANGE



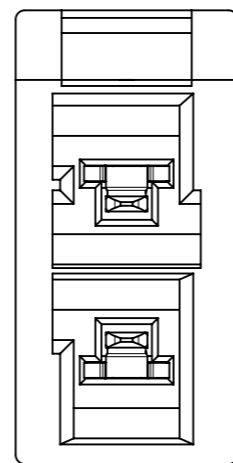
2 151048*201
BLUE



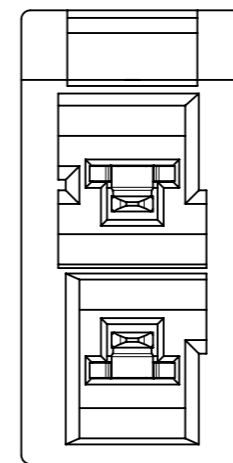
3 151048*202
GREY



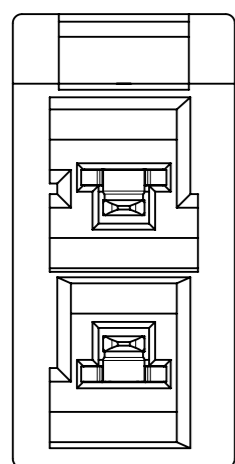
4 151048*203
YELLOW



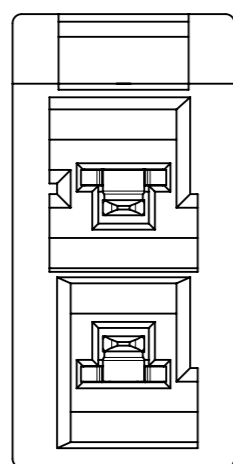
5 151048*204
PURPLE



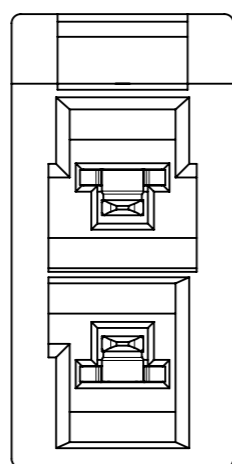
6 151048*205
PINK



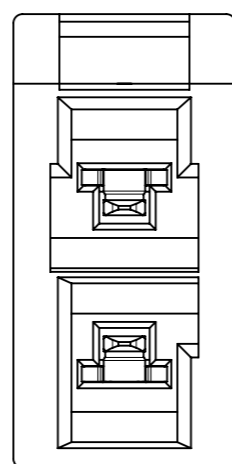
7 151048*206
BLACK



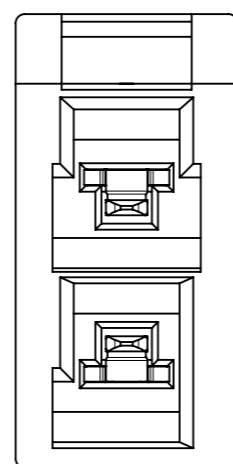
8 151048*207
GREEN



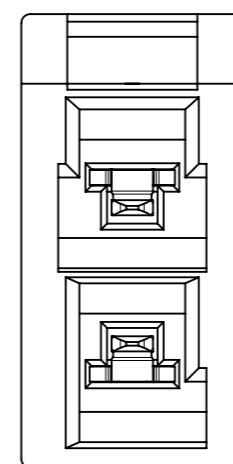
9 151048*208
BROWN



10 151048*209
RED



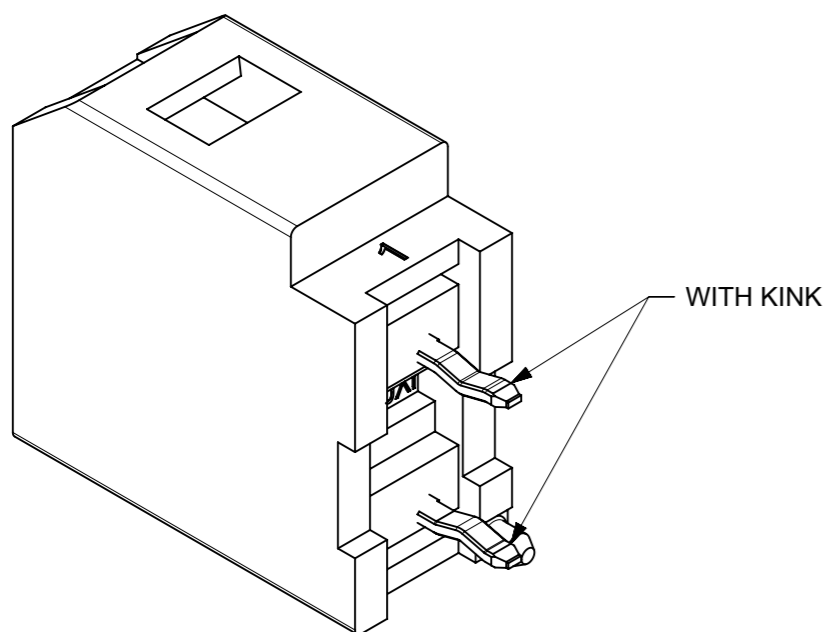
11 151048*210
MINT



12 151048*211
NATURAL(WHITE)

CONFIG	ASSEMBLY	COLOR	STANDARD COLOR	CUSTOM COLOR	PACKAGING
1	1510482200	ORANGE	*		PK-151048-0001 (TUBE)
2	1510482201	BLUE	*		
3	1510482202	GREY		*	
4	1510482203	YELLOW	*		
5	1510482204	PURPLE		*	
6	1510482205	PINK		*	
7	1510482206	BLACK	*		
8	1510482207	GREEN		*	
9	1510482208	BROWN		*	
10	1510482209	RED	*		
11	1510482210	MINT		*	
12	1510482211	NATURAL (WHITE)	*		

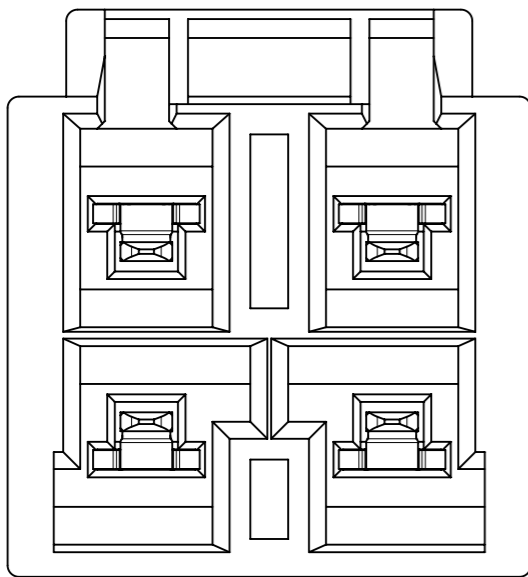
CONFIG	ASSEMBLY	COLOR	STANDARD COLOR	CUSTOM COLOR	PACKAGING
1	1510481200	ORANGE	*		PK-151048-0002 (TRAY)
2	1510481201	BLUE	*		
3	1510481202	GREY		*	
4	1510481203	YELLOW	*		
5	1510481204	PURPLE		*	
6	1510481205	PINK		*	
7	1510481206	BLACK	*		
8	1510481207	GREEN		*	
9	1510481208	BROWN		*	
10	1510481209	RED	*		
11	1510481210	MINT		*	
12	1510481211	NATURAL (WHITE)	*		



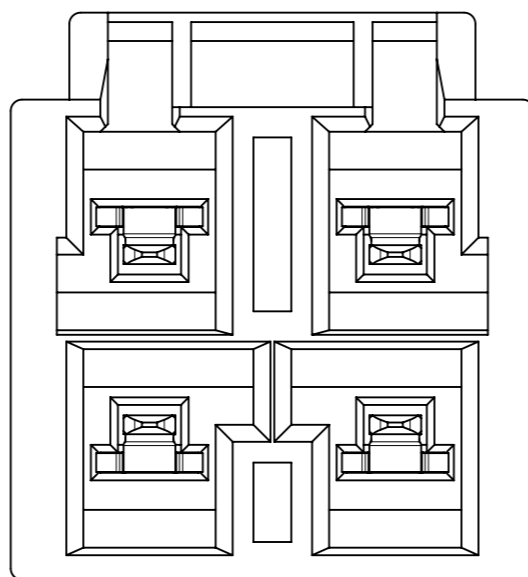
THIS DRAWING CONTAINS INFORMATION THAT IS PROPRIETARY TO MOLEX ELECTRONIC TECHNOLOGIES, LLC AND SHOULD NOT BE USED WITHOUT WRITTEN PERMISSION

DIMENSION UNITS mm	SCALE 4:1	CURRENT REV DESC: P/N ADDED				
GENERAL TOLERANCES (UNLESS SPECIFIED)		EC NO: 612829				
ANGULAR TOL ± 3.0°	4 PLACES ±	DRWN: SMAHAJANSHET	2019/02/27	6.5 HEADER ASSY WIRE TO BOARD CONNECTOR		
3 PLACES ±	3 PLACES ±	CHK'D: SMAHAJANSHET	2019/03/01	PRODUCT CUSTOMER DRAWING		
2 PLACES ± 0.2	2 PLACES ±	APPR: NCSR	2019/03/01	INITIAL REVISION:		
1 PLACE ±	1 PLACE ±	DRWN: EANG	2014/03/13	DOCUMENT NUMBER	DOC TYPE	DOC PART
0 PLACES ±	0 PLACES ±	APPR: KHLIM	2015/07/22	SD-151048-0001	PSD	001
DRAFT WHERE APPLICABLE MUST REMAIN WITHIN DIMENSIONS	THIRD ANGLE PROJECTION	DRAWING	SERIES	MATERIAL NUMBER	CUSTOMER	SHEET NUMBER
		A3-SIZE	151048	SEE TABLE	GENERAL MARKET	2 OF 4

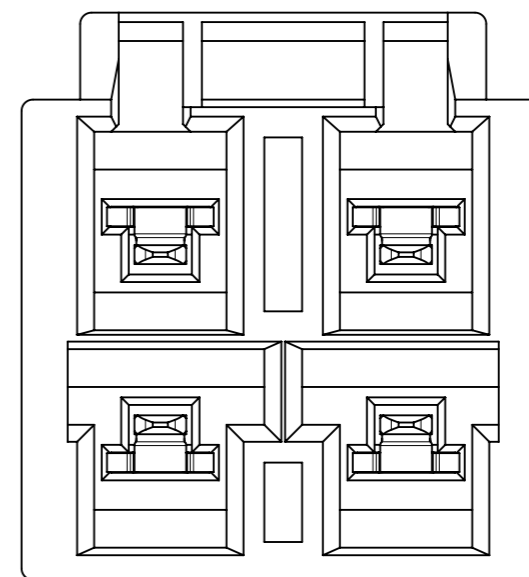
HEADER ASSY WITH POLARIZATION FEATURES AND COLORS 4CKTS



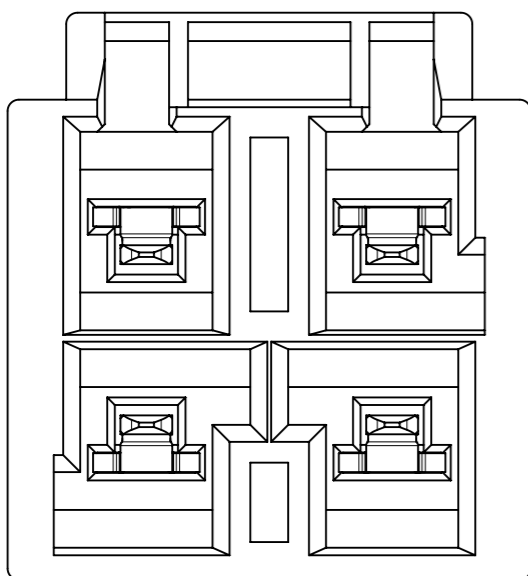
① 151048*401
BLUE



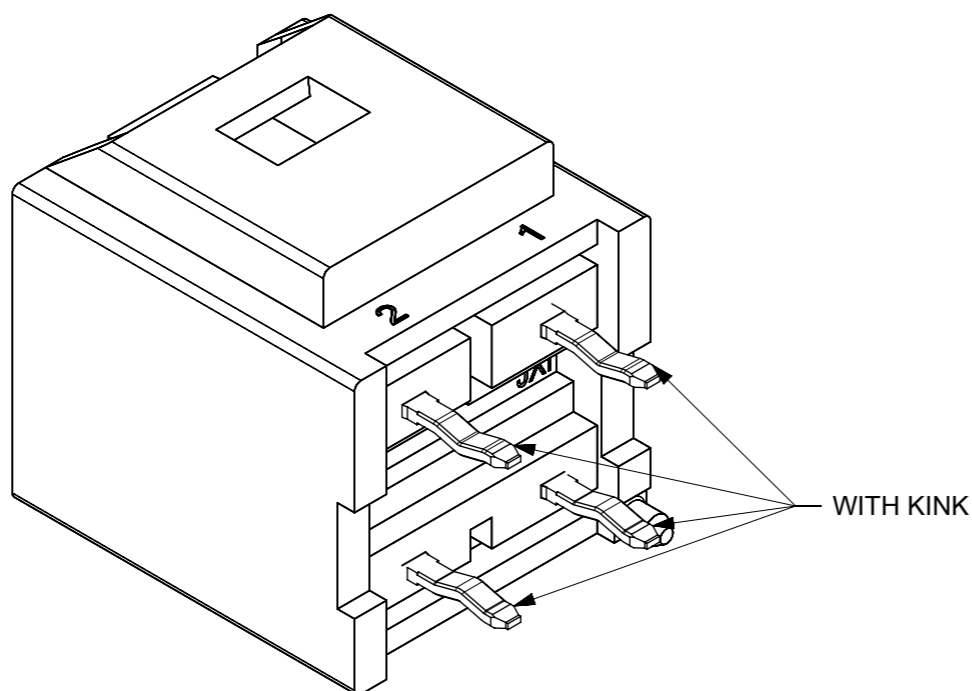
② 151048*406
BLACK



③ 151048*411
NATURAL(WHITE)



④ 151048*409
RED (A1)



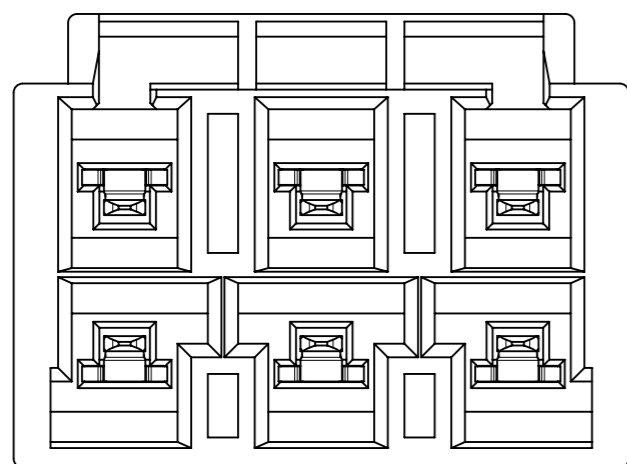
PART NO. LEGEND

151048- X X XX
 └───┬───┬───
 COLOR AND POLORIZARION
 CKT NO.
 PACKAGING (TRAY)
 AND OTHERS

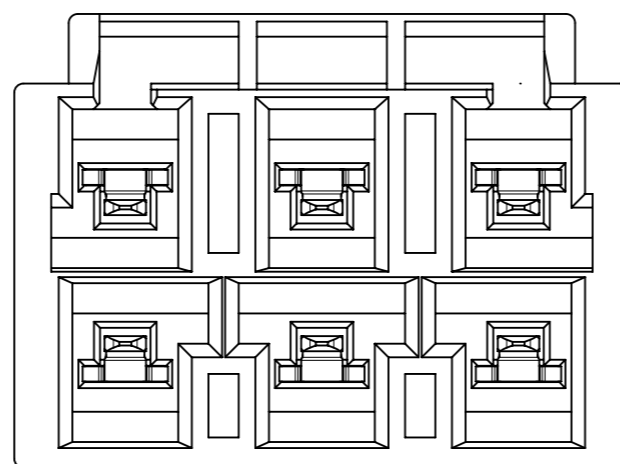
CONFIG	ASSEMBLY	COLOR	PACKAGING
1	1510481401	BLUE	PK-151048-0002
2	1510481406	BLACK	
3	1510481411	NATURAL (WHITE)	
4	1510481409	RED	

THIS DRAWING CONTAINS INFORMATION THAT IS PROPRIETARY TO MOLEX ELECTRONIC TECHNOLOGIES, LLC AND SHOULD NOT BE USED WITHOUT WRITTEN PERMISSION											
DIMENSION UNITS mm		SCALE 5:1		CURRENT REV DESC: P/N ADDED							
GENERAL TOLERANCES (UNLESS SPECIFIED)				molex							
ANGULAR TOL ± 3.0°											
4 PLACES ±				EC NO: 612829							
3 PLACES ±				DRWN: SMAHAJANSHET 2019/02/27							
2 PLACES ± 0.2				CHK'D: SMAHAJANSHET 2019/03/01							
1 PLACE ±				APPR: NCSR 2019/03/01							
0 PLACES ±				INITIAL REVISION:							
DRAFT WHERE APPLICABLE MUST REMAIN WITHIN DIMENSIONS				THIRD ANGLE PROJECTION		DRAWING		SERIES		MATERIAL NUMBER	
DOCUMENT STATUS		P1		RELEASE DATE		2019/03/01		06:57:11		SD-151048-0001	
PSD		001		A2		SEE TABLE		GENERAL MARKET		3 OF 4	

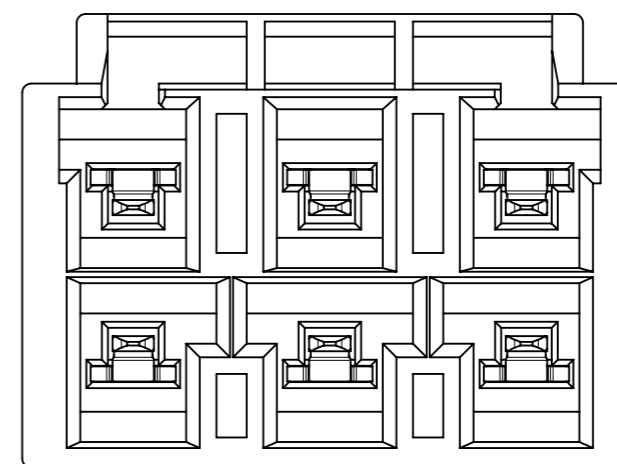
HEADER ASSY WITH POLARIZATION FEATURES AND COLORS 6CKTS



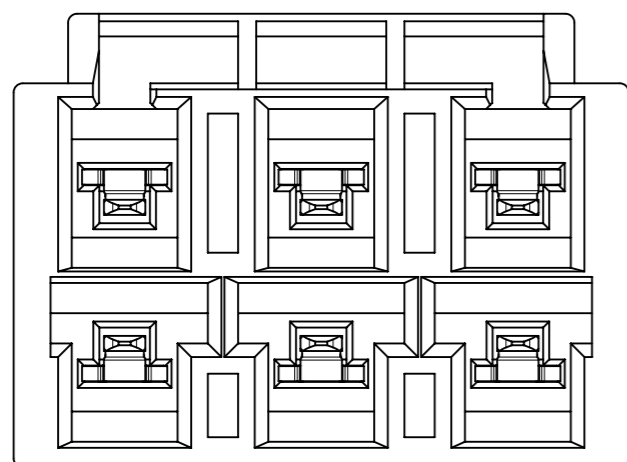
① 151048*601
BLUE



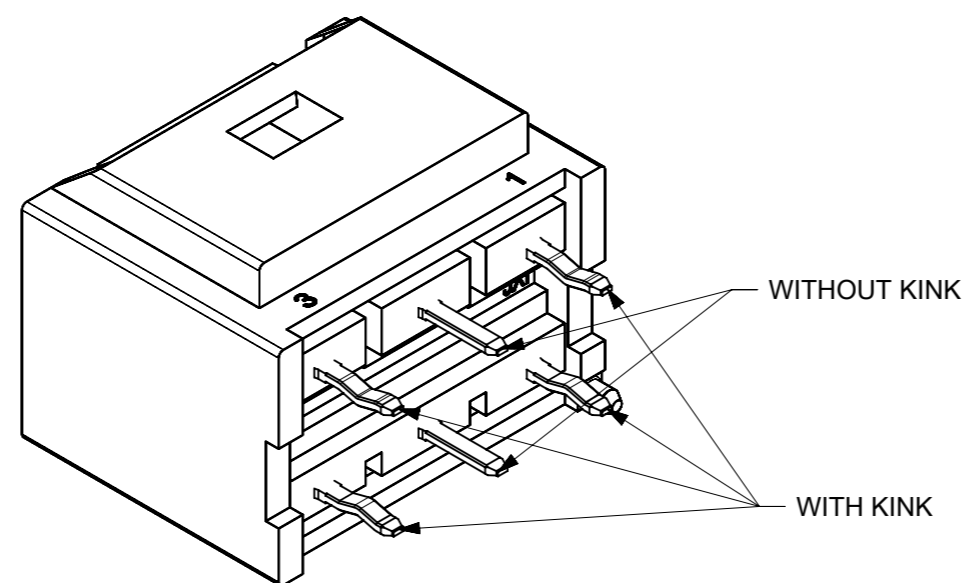
② 151048*606
BLACK



③ 151048*609
RED



④ 151048*611
NATURAL(WHITE)



PART NO. LEGEND

151048- X X XX

COLOR AND POLORIZARION
CKT NO.
PACKAGING (TRAY)
AND OTHERS

CONFIG	ASSEMBLY	COLOR	PACKAGING
1	1510481601	BLUE	PK-151048-0002
2	1510481606	BLACK	
3	1510481609	RED	
4	1510481611	NATURAL (WHITE)	

THIS DRAWING CONTAINS INFORMATION THAT IS PROPRIETARY TO MOLEX ELECTRONIC TECHNOLOGIES, LLC AND SHOULD NOT BE USED WITHOUT WRITTEN PERMISSION									
DIMENSION UNITS mm		SCALE 4:1		CURRENT REV DESC: P/N ADDED					
GENERAL TOLERANCES (UNLESS SPECIFIED)				<p>molex</p> <p>SALES DRAWING 6.5 HEADER ASSY WIRE TO BOARD CONNECTOR</p> <p>PRODUCT CUSTOMER DRAWING</p>					
ANGULAR TOL ± 3.0°									
4 PLACES ±		EC NO: 612829		DRWN: SMAHAJANSHET 2019/02/27		DOCUMENT NUMBER SD-151048-0001			
3 PLACES ±		DRWN: SMAHAJANSHET 2019/03/01		CHK'D: SMAHAJANSHET 2019/03/01		DOC TYPE PSD		DOC PART 001	
2 PLACES ± 0.2		APPR: NCSR 2019/03/01		INITIAL REVISION:		REVISION A2		SHEET NUMBER 4 OF 4	
1 PLACE ±		DRWN: EANG 2014/03/13		APPR: KHLIM 2015/07/22		MATERIAL NUMBER SEE TABLE		CUSTOMER GENERAL MARKET	
0 PLACES ±		DRAFT WHERE APPLICABLE MUST REMAIN WITHIN DIMENSIONS		THIRD ANGLE PROJECTION		DRAWING A3-SIZE		SERIES 151048	