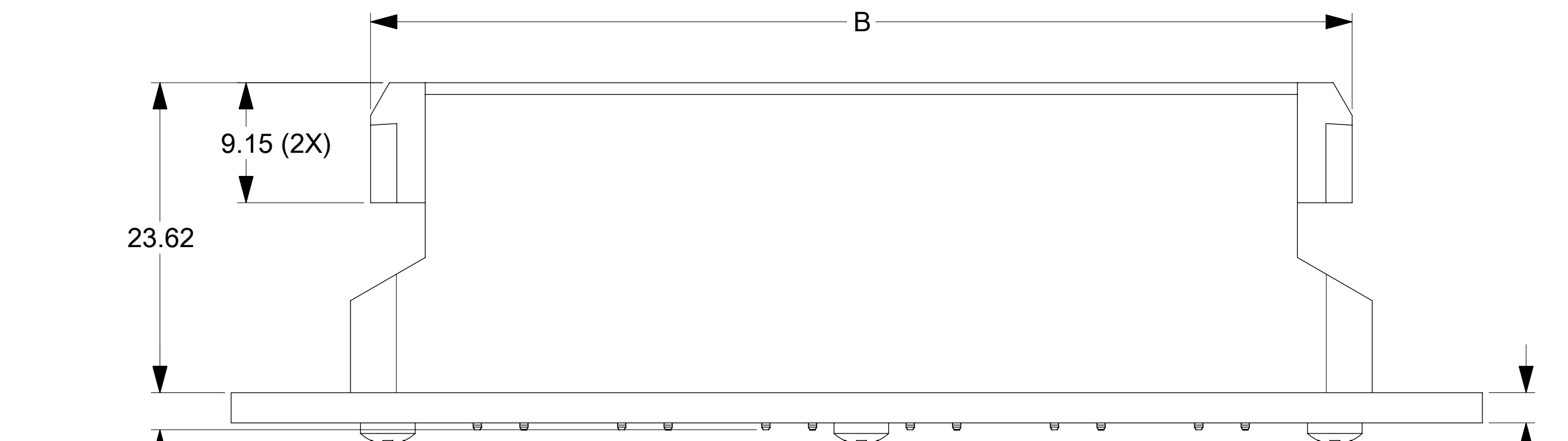
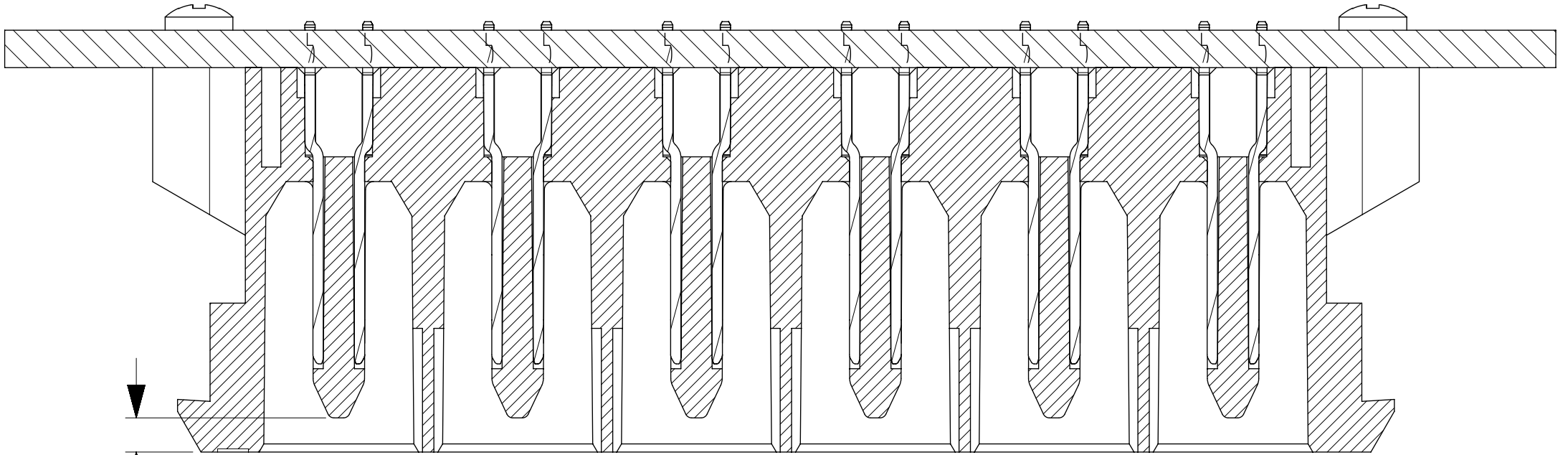
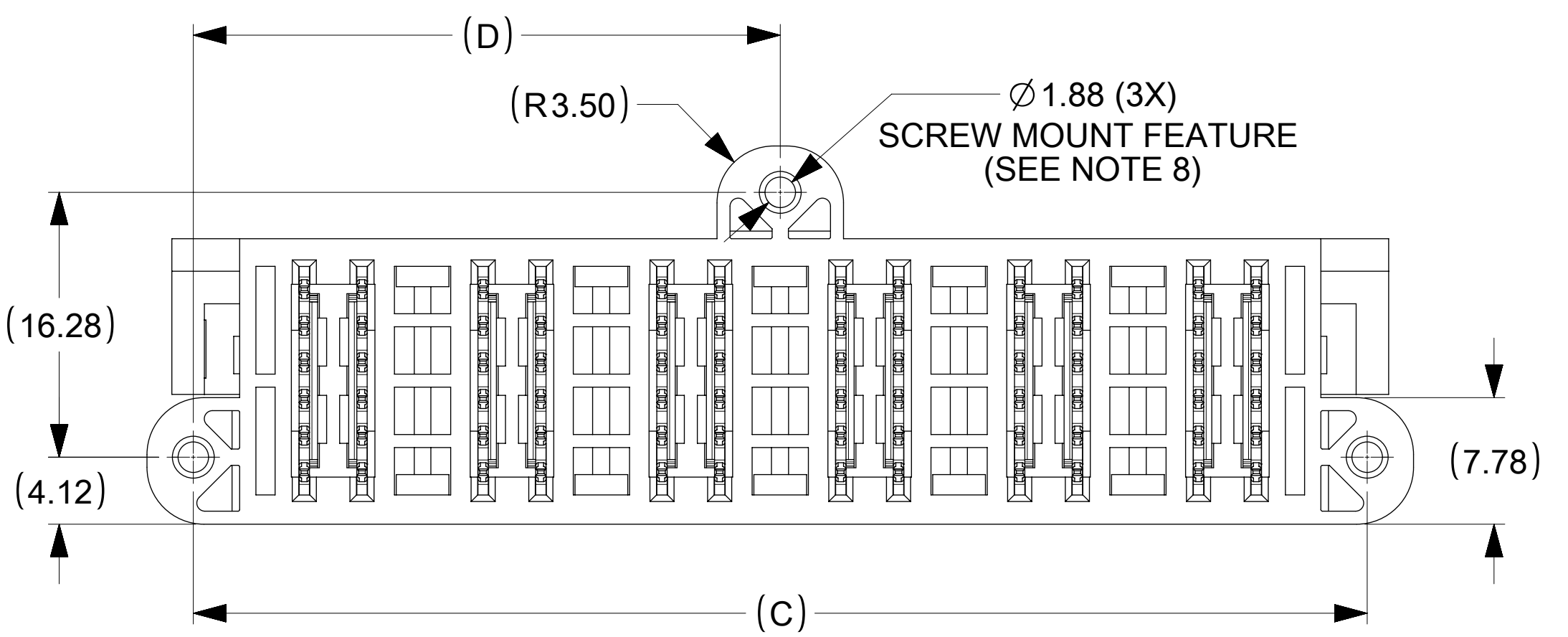


ALLOW 4.00 EXTRA PER SIDE FOR RE-WORK



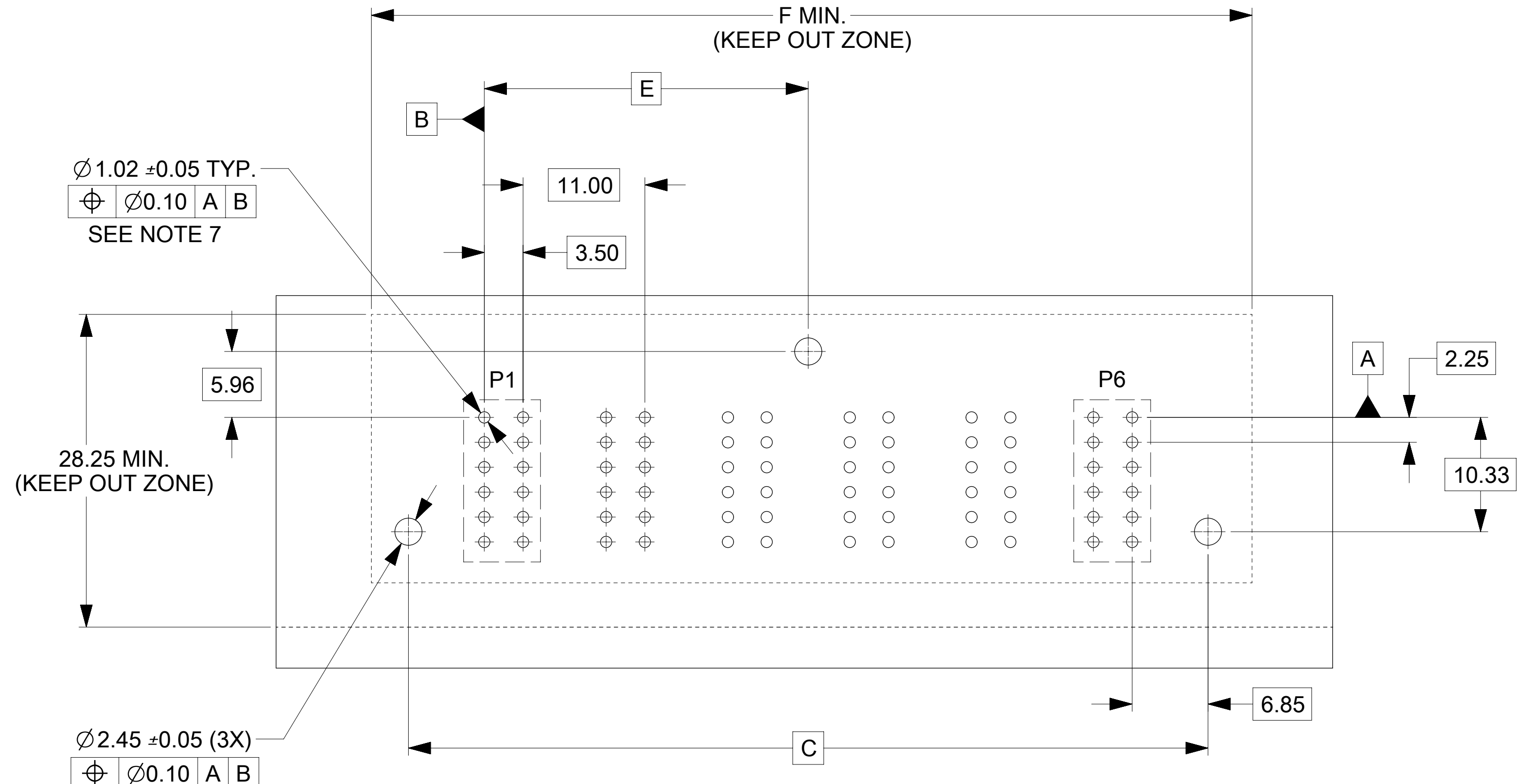
2.83 ±0.25 SEE NOTE 8 (1.60 - 2.36) (PCB THICKNESS)



SECTION Z-Z

- NOTES:
- MATERIAL:
HOUSING: LCP, UL94V-0, COLOR: BLACK
TERMINALS: COPPER ALLOY
 - FINISHES: TERMINALS : 30µIN MIN. GOLD ON CONTACT
100µIN MIN. TIN ON TAIL
50µIN MIN. NICKEL UNDERPLATE OVERALL.
 - PRODUCT SPECIFICATION: PS-151053-0000
 - PACKAGING SPECIFICATION: PK-151053-0001
 - MATING WITH CRIMP: 46819, CRIMP RECEPTACLE HOUSING: 151034
 - TAIL DESIGN : COMPLIANT PIN
 - PLATED THRU HOLE SIZE, REFER TO PS-151053-0000
 - RECOMMENDED SCREW: 2-32 TYPE AB X 0.300".
SCREWS ARE SOLD SEPARATELY.
 - USE FLAT ROCK APPLICATION TOOLING.
 - POWER CONTACTS ARE LUBRICATED.

PART NO.	CKT	DIM. A	DIM. B	DIM. C	DIM. D	DIM. E	DIM. F
1510530002	2	33.90	30.84	28.20	14.10	7.25	34.90
1510530003	3	44.90	41.84	39.20	19.60	12.75	45.90
1510530004	4	55.90	52.84	50.20	25.10	18.25	56.90
1510530005	5	66.90	63.84	61.20	30.60	23.75	67.90
1510530006	6	77.90	74.84	72.20	36.10	29.25	78.90



RECOMMENDED PCB LAYOUT & KEEP OUT ZONE

SYMBOLS		THIS DRAWING CONTAINS INFORMATION THAT IS PROPRIETARY TO MOLEX ELECTRONIC TECHNOLOGIES, LLC AND SHOULD NOT BE USED WITHOUT WRITTEN PERMISSION		CURRENT REV DESC: ADD PCB THICKNESS	
▽ = 0	mm	SCALE		NTS	
▽ = 0	GENERAL TOLERANCES (UNLESS SPECIFIED)		EC NO: 609188		2018/12/17
▽ = 0			DRWN: CGOH		
▽ = 0	4 PLACES ±	mm	inch	CHK'D: EANG	2018/12/17
▽ = 0	3 PLACES ±			APPR: KHLIM	2018/12/28
▽ = 0	2 PLACES ±	0.25		INITIAL REVISION:	
▽ = 0	1 PLACE ±	0.25		DRWN: CGOH	2015/01/22
▽ = 0	0 PLACES ±			APPR: KHLIM	2015/08/14
▽ = 0	ANGULAR TOL ± 3.0°		THIRD ANGLE PROJECTION		
▽ = 0	DRAFT WHERE APPLICABLE MUST REMAIN WITHIN DIMENSIONS		DRAWING		SHEET NUMBER
▽ = 0			D-SIZE		1 OF 1

GUARDIAN
2 - 6CKT VERTICAL HEADER POWER CONNECTOR

PRODUCT CUSTOMER DRAWING

DOCUMENT NUMBER	DOC TYPE	DOC PART	REVISION
SD-151053-0001	PSD	001	B1

MATERIAL NUMBER: SEE TABLE
CUSTOMER: GENERAL MARKET