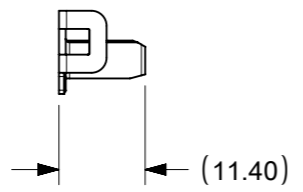
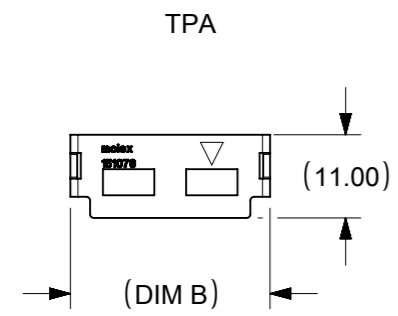
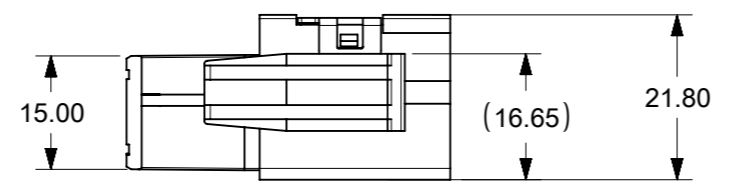
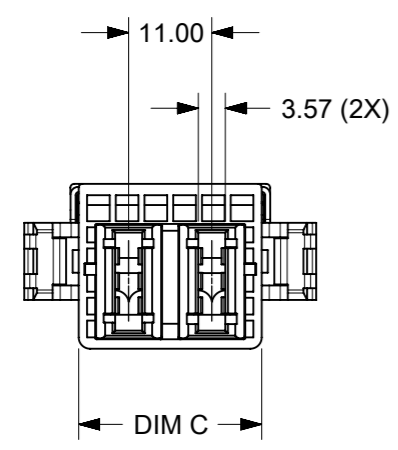
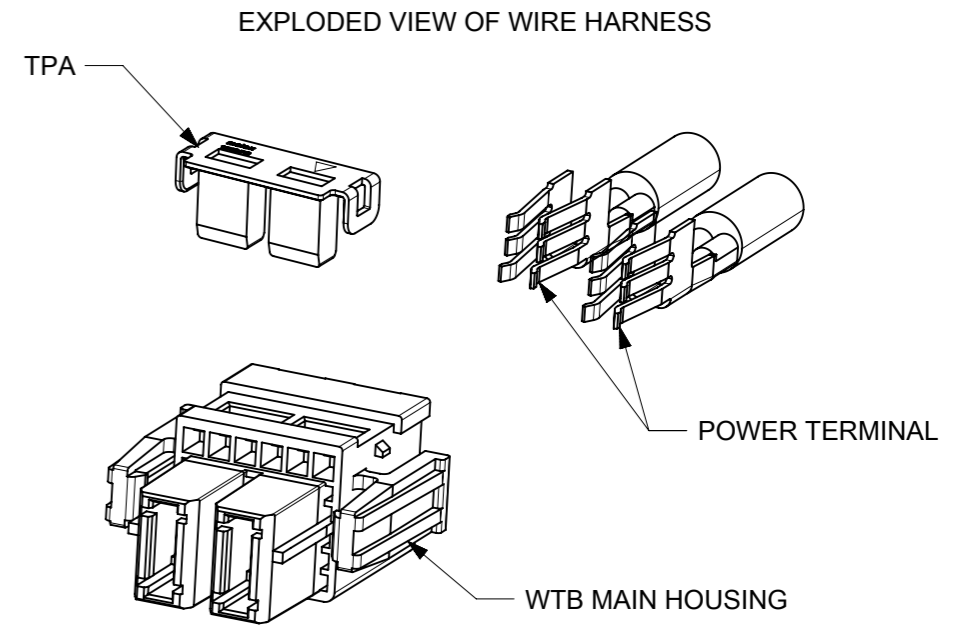
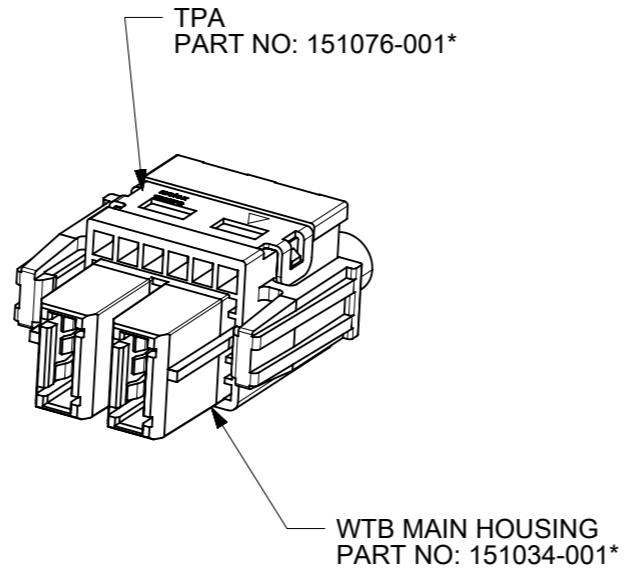
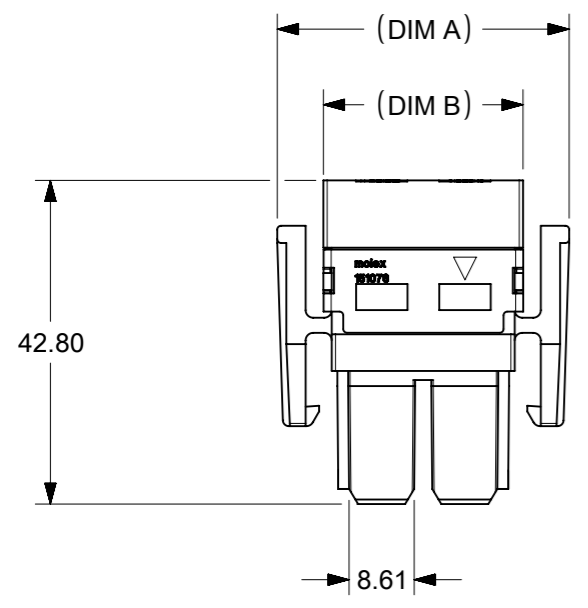


CKT SIZE	WTB MAIN HOUSING	TPA	DIM A	DIM B	DIM C
2	151034-0012	151076-0012	38.60	26.40	24.20
3	151034-0013	151076-0013	49.60	37.40	35.20
4	151034-0014	151076-0014	60.60	48.40	46.20
5	151034-0015	151076-0015	71.60	59.40	57.20
6	151034-0016	151076-0016	82.60	70.40	68.20



- NOTES:
- MATERIAL:
MAIN HOUSING AND TPA: PBT
CRIMP TERMINAL: COPPER ALLOY
 - FINISHES: TIN OVER NICKEL WITH SELECTIVE GOLD
 - PRODUCT SPEC: PS-151053-0000
 - PACKAGING:
WTB MAIN HOUSING: PK-151034-0001 IN TRAY
TPA: PK-151076-0001 IN BAG
 - TO BE USED WITH CRIMP PART NUMBER 46819-0012 (8 AWG), 46819-0013 (6 AWG)
 - PARTS ARE RoHS COMPLIANT.
 - TPA MUST BE USED WITH HOUSING
 - DO NOT INSERT TPA INTO HOUSING UNTIL THE CRIMP WITH WIRES HAD BEEN INSERTED.
 - FOR WIRE SIZE: 8 AWG, 6 AWG
 - TPA, HOUSING AND CRIMP TERMINAL ARE SOLD SEPERATELY.

SYMBOLS	DIMENSION UNITS	SCALE	CURRENT REV DESC:					
▽ = 0	mm	NTS	molex GUARDIAN CRIMP RECEPTACLE HOUSING 2 - 6 CKTS PRODUCT CUSTOMER DRAWING					
▽ = 0	GENERAL TOLERANCES (UNLESS SPECIFIED)					EC NO: 607023 DRWN: CGOH 2018/04/12 CHK'D: EANG 2018/11/02 APPR: KHLIM 2018/11/15		
▽ = 0	ANGULAR TOL ± 1.0°					INITIAL REVISION: DRWN: CGOH 2014/04/23 APPR: CGOH 2014/08/01		
▽ = 0	4 PLACES ±					DOCUMENT NUMBER: SD-151034-0001 DOC TYPE: PSD DOC PART: 001 REVISION: B		
▽ = 0	3 PLACES ±		MATERIAL NUMBER: SEE TABLE CUSTOMER: GENERAL MARKET SHEET NUMBER: 1 OF 1					
▽ = 0	2 PLACES ± 0.25		DRAFT WHERE APPLICABLE MUST REMAIN WITHIN DIMENSIONS THIRD ANGLE PROJECTION DRAWING: A3-SIZE SERIES: 151034					
▽ = 0	1 PLACE ±							
▽ = 0	0 PLACES ±							