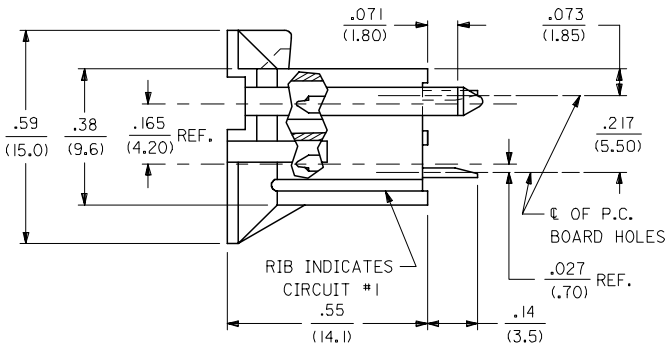
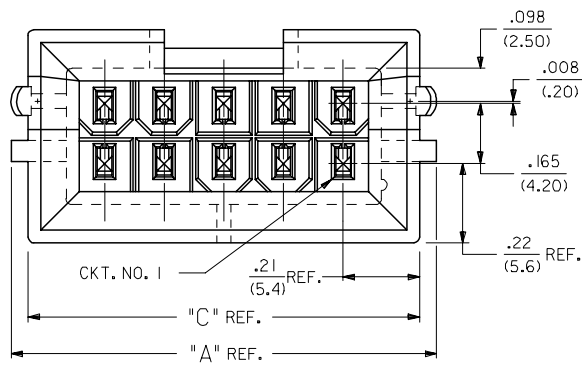
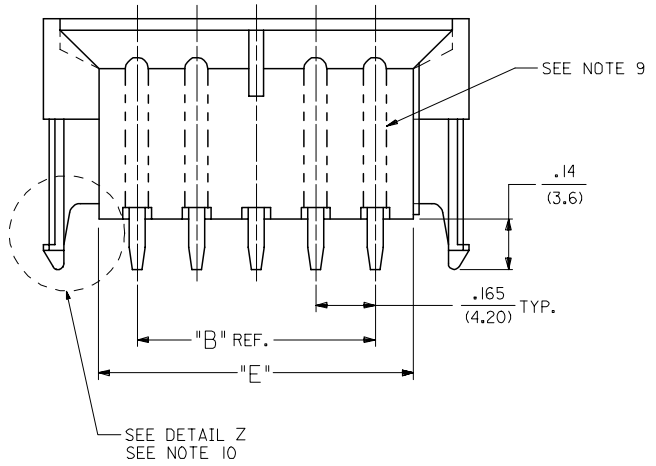
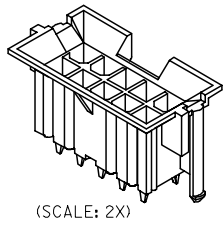


13 12 11 10 9 8 7 6 5 4 3 2 1

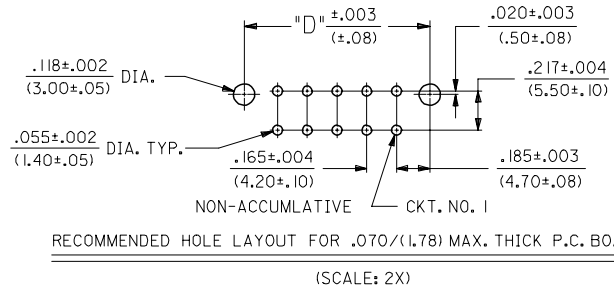
J  
I  
H  
G  
F  
E  
D  
C  
B  
A



CIRCUIT SIZE	DIM. "A"	DIM. "B"	DIM. "C"	DIM. "D"	DIM. "E"
2	.520 (13.20)	—	.425 (10.80)	.370 (9.40)	.21 (5.4)
4	.685 (17.40)	.17 (4.2)	.590 (15.00)	.535 (13.60)	.38 (9.6)
6	.850 (21.60)	.33 (8.4)	.756 (19.20)	.701 (17.80)	.54 (13.8)
8	1.016 (25.80)	.50 (12.6)	.921 (23.40)	.866 (22.00)	.71 (18.0)
10	1.181 (30.00)	.66 (16.8)	1.087 (27.60)	1.031 (26.20)	.87 (22.2)
12	1.346 (34.20)	.83 (21.0)	1.252 (31.80)	1.197 (30.40)	1.04 (26.4)
14	1.512 (38.40)	.99 (25.2)	1.417 (36.00)	1.362 (34.60)	1.20 (30.6)
16	1.677 (42.60)	1.16 (29.4)	1.583 (40.20)	1.528 (38.80)	1.37 (34.8)
18	1.843 (46.80)	1.32 (33.6)	1.748 (44.40)	1.693 (43.00)	1.54 (39.0)
20	2.008 (51.00)	1.49 (37.8)	1.913 (48.60)	1.858 (47.20)	1.70 (43.2)
22	2.173 (55.20)	1.65 (42.0)	2.079 (52.80)	2.024 (51.40)	1.87 (47.4)
24	2.339 (59.40)	1.82 (46.2)	2.244 (57.00)	2.189 (55.60)	2.03 (51.6)



**LEGEND:**  
 A - 42440 - \*\*\*  
 BASE NUMBER  
 CIRCUIT SIZE (02-24)  
 PLATING (SEE NOTE 2.)  
 HOUSING MAT'L. & OPTIONS (SEE NOTE 1.)



6	P
5	P
4	P
3	P1
2	P
1	P1
	REV

Part No.	Part Description	Material	Plating
---22, ---42	42474-***2I, 5556-PBGS*P	94V-0	PHOS. BRZ. GOLD
---12, ---32	42474-***1I, 5556-PBGS*P	94V-2	PHOS. BRZ. GOLD
---22, ---42, ---23, ---43	42474-***2I, 5556-GS*P	94V-0	BRASS GOLD
---12, ---32, ---13, ---33	42474-***1I, 5556-GS*P	94V-2	BRASS GOLD
---21, ---41	42474-***2I, 5556-PBS*P	94V-0	PHOS. BRZ. TIN
---11, ---31	42474-***1I, 5556-PBS*P	94V-2	PHOS. BRZ. TIN
---21, ---41	42474-***2I, 5556-S*P	94V-0	BRASS TIN
---11, ---31	42474-***1I, 5556-S*P	94V-2	BRASS TIN
---22, ---42	A-42385-***D2, ---D4	94V-0	PHOS. BRZ. GOLD
---12, ---32	A-42385-***C2, ---C4	94V-2	PHOS. BRZ. GOLD
---22, ---42, ---23, ---43	A-42385-***B2, ---B4	94V-0	BRASS GOLD
---12, ---32, ---13, ---33	A-42385-***A2, ---A4	94V-2	BRASS GOLD
---21, ---41	A-42385-***D1	94V-0	PHOS. BRZ. TIN
---11, ---31	A-42385-***C1	94V-2	PHOS. BRZ. TIN
---21, ---41	A-42385-***B1	94V-0	BRASS TIN
---11, ---31	A-42385-***A1	94V-2	BRASS TIN
VERT. HEADER A-42440		MATING CONNECTOR	HSG. MAT'L. TERM. MAT'L. PLATING MATING CONNECTOR FEATURES

**SHEET 3, NOTE #9**  
 EC NO: UCP2007-2479  
 DRAWN:LSCHMIDT 2007/04/04  
 CHKD:IBELL 2007/04/11  
 APPR:FSM TH 2007/04/16

**QUALITY SYMBOLS**  
 ▽=0  
 ▽=0

**GENERAL TOLERANCES (UNLESS SPECIFIED)**

	mm	INCH
4 PLACES ±	---	---
3 PLACES ±	---	±.010
2 PLACES ±	0.25	±.015
1 PLACE ±	0.38	---
ANGULAR ± 5 °		

**DIMENSION STYLE**  
 IN/MM

**SCALE**  
 4:1

**DESIGN UNITS**  
 METRIC

**THIRD ANGLE PROJECTION**

**DRAWN BY** GEP  
**DATE** 1989/04/06

**CHECKED BY** RJF  
**DATE** 1989/04/06

**APPROVED BY** RAS  
**DATE** 1989/04/06

**MATERIAL NO.**  
**DOCUMENT NO.**

**MINI-FIT B.M.I. VERTICAL HEADER ASSY WITH DRAIN HOLE OPTION**

**MOLEX INCORPORATED**

**SDA-42440-\*\*\*\***

**SHEET NO. 1 OF 6**

**DRAFT WHERE APPLICABLE MUST REMAIN WITHIN DIMENSIONS**

**SEE CHART**

**THIS DRAWING CONTAINS INFORMATION THAT IS PROPRIETARY TO MOLEX INCORPORATED AND SHOULD NOT BE USED WITHOUT WRITTEN PERMISSION**

12 11 10 9 8 7 6 5 4 3 2 1

NOTES:

- 1) MATERIAL:
  - HOUSING MATERIAL AND OPTIONS:
    - 1 = NYLON 6/6, UL 94V-2, COLOR: NATURAL, WITHOUT DRAIN HOLES
    - 2 = NYLON 6/6, UL 94V-0, COLOR: NATURAL, WITHOUT DRAIN HOLES
    - 3 = NYLON 6/6, UL 94V-2, COLOR: NATURAL, WITH DRAIN HOLES
    - 4 = NYLON 6/6, UL 94V-0, COLOR: NATURAL, WITH DRAIN HOLES
  - TERMINALS: BRASS
- 2) TERMINAL PLATING:
  - S = .000100/(0.00254) MIN. BRIGHT TIN OVER .000050/(0.00127) MIN. NICKEL
  - \*GS = .000030/(0.00076) MIN. SELECT GOLD AND .000100/(0.00254) MIN. SELECT MATTE TIN OVER .000050/(0.00127) MIN. NICKEL OVERALL
  - \*GS3 = .000050/(0.00127) MIN. SELECT GOLD AND .000100/(0.00254) MIN. SELECT MATTE TIN OVER .000050/(0.00127) MIN. NICKEL OVERALL
  - \*THE PRIMARY SHIPPING CARTON WILL BE LABELED "COMPLIANT TO RoHS DIRECTIVE 2002/95/EC AND ELV ANNEX II OF DIRECTIVE 200/53/EC"; CARTONS WITHOUT THIS LABEL MAY CONTAIN PRODUCT WITH TIN-LEAD PLATING.
- 3) PRODUCT SPECIFICATION AND PROCESSING PARAMETERS: PS-5556-002
- 4) PACKAGING: SEE CHARTS
- 5) 6-24 CIRCUIT PARTS MATE WITH MINI-FIT JR. RECEPTACLES #5557 AND HEADERS #42385 AND #42474; 2 AND 4 CIRCUIT PARTS MATE WITH 42385 AND 42474 HEADERS ONLY.
- 6) PART ALLOWS FOR UP TO .100/(2.54) MISALIGNMENT WITH MATING RECEPTACLE IN ANY DIRECTION. SEE MATING CONNECTOR DRAWINGS FOR SPECIFIC ALLOWANCES.
- 7) CONNECTOR IS NOT DESIGNED FOR CURRENT SHARING.
- 8) CONNECTOR ASSEMBLIES ARE NOT BE MATED OR UNMATED WHILE CIRCUITS ARE LIVE.
- 9) OPTIONAL RIBS MAY BE FOUND ON PARTS MANUFACTURED AFTER 08/11/1997. RIB LOCATION IS DETERMINED BY MOLD DESIGN FOR MANUFACTURING EASE AND THE LOCATION DOES NOT AFFECT PART FUNCTION OR PERFORMANCE. LOCATION OF RIBS MAY VARY ON PARTS WITHIN MAUFACTURING LOT OR SHIPMENT. THIS DRAWING SHOWS TYPICAL RIB LOCATIONS.
- 10) PARTS MANUFACTURED AFTER 8/15/1997 MAY HAVE REVISED LOCK PEG.
- 11) PART CONFORMS TO CLASS "B" REQUIREMENTS OF COSMETIC SPECIFICATION PS-45499-002.

SEE SHEET ONE FC NO: UCP2007-2479 DRAWN:LSCHMIDT 2007/04/04 CHKD:JBELL 2007/04/11 APPR:FSM TH 2007/04/16 P1	QUALITY SYMBOLS ▽=0 ▽=0	GENERAL TOLERANCES (UNLESS SPECIFIED)		DIMENSION STYLE IN/MM		SCALE ---	DESIGN UNITS METRIC	THIRD ANGLE PROJECTION		
		mm	INCH	DRAWN BY GEP	DATE 1989/04/06	TITLE MINI-FIT B.M.I. VERTICAL HEADER ASSY WITH DRAIN HOLE OPTION				
		4 PLACES ±---	±---	CHECKED BY RJF	DATE 1989/04/06	MATERIAL NO. SDA-42440-****				
		3 PLACES ±---	±---	APPROVED BY RAS	DATE 1989/04/06	DOCUMENT NO. 3 OF 6				
2 PLACES ±---	±---	ANGULAR ±---°		SIZE C		THIS DRAWING CONTAINS INFORMATION THAT IS PROPRIETARY TO MOLEX INCORPORATED AND SHOULD NOT BE USED WITHOUT WRITTEN PERMISSION				
1 PLACE ±---	±---	DRAFT WHERE APPLICABLE MUST REMAIN WITHIN DIMENSIONS								

	13	12	11	10	9	8	7	6	5	4	3	2	1				
J	PLATING: TIN (SEE NOTE 2 OPTION 'S')			PLATING: TIN (SEE NOTE 2 OPTION 'S')			PLATING: 30 M.I. SELECT GOLD (SEE NOTE 2 OPTION 'GS')			PLATING: 30 M.I. SELECT GOLD (SEE NOTE 2 OPTION 'GS')			J				
	DRAINS: WITHOUT DRAIN HOLES			DRAINS: WITHOUT DRAIN HOLES			DRAINS: WITHOUT DRAIN HOLES			DRAINS: WITHOUT DRAIN HOLES							
	PEGS: WITH PEGS			PEGS: WITH PEGS			PEGS: WITH PEGS			PEGS: WITH PEGS							
	MAT'L: 94V-2 [NATURAL]			MAT'L: 94V-0 [NATURAL]			MAT'L: 94V-2 [NATURAL]			MAT'L: 94V-0 [NATURAL]							
	PACKAGING: TRAY PER PK-42440-001			PACKAGING: TRAY PER PK-42440-001			PACKAGING: TRAY PER PK-42440-001			PACKAGING: TRAY PER PK-42440-001							
I	PART NO.	ENG NO.		CKTS	PART NO.	ENG NO.		CKTS	PART NO.	ENG NO.		CKTS	PART NO.	ENG NO.		CKTS	I
	NO EDP	A-42440-0211	-	2	NO EDP	A-42440-0221	-	2	NO EDP	A-42440-0212	-	2	NO EDP	A-42440-0222	-	2	
	15-24-6041	A-42440-0411	-	4	15-24-6042	A-42440-0421	-	4	15-28-6041	A-42440-0412	-	4	15-28-6042	A-42440-0422	-	4	
	NO EDP	A-42440-0611	-	6	NO EDP	A-42440-0621	-	6	NO EDP	A-42440-0612	-	6	NO EDP	A-42440-0622	-	6	
	NO EDP	A-42440-0811	-	8	NO EDP	A-42440-0821	-	8	NO EDP	A-42440-0812	-	8	NO EDP	A-42440-0822	-	8	
	15-24-6101	A-42440-1011	-	10	15-24-6102	A-42440-1021	-	10	15-28-6101	A-42440-1012	-	10	15-28-6102	A-42440-1022	-	10	
	NO EDP	A-42440-1211	-	12	NO EDP	A-42440-1221	-	12	NO EDP	A-42440-1212	-	12	NO EDP	A-42440-1222	-	12	
	15-24-6141	A-42440-1411	-	14	15-24-6142	A-42440-1421	-	14	15-28-6141	A-42440-1412	-	14	15-28-6142	A-42440-1422	-	14	
	15-24-6161	A-42440-1611	-	16	15-24-6162	A-42440-1621	-	16	15-28-6161	A-42440-1612	-	16	NO EDP	A-42440-1622	-	16	
H	15-24-6181	A-42440-1811	-	18	15-24-6182	A-42440-1821	-	18	15-28-6181	A-42440-1812	-	18	15-28-6182	A-42440-1822	-	18	H
	NO EDP	A-42440-2011	-	20	NO EDP	A-42440-2021	-	20	NO EDP	A-42440-2012	-	20	NO EDP	A-42440-2022	-	20	
	NO EDP	A-42440-2211	-	22	NO EDP	A-42440-2221	-	22	NO EDP	A-42440-2212	-	22	NO EDP	A-42440-2222	-	22	
	15-24-6241	A-42440-2411	-	24	15-24-6242	A-42440-2421	-	24	15-28-6241	A-42440-2412	-	24	15-28-6242	A-42440-2422	-	24	

G	PLATING: TIN (SEE NOTE 2 OPTION 'S')			PLATING: TIN (SEE NOTE 2 OPTION 'S')			PLATING: 30 M.I. SELECT GOLD (SEE NOTE 2 OPTION 'GS')			PLATING: 30 M.I. SELECT GOLD (SEE NOTE 2 OPTION 'GS')			G				
	DRAINS: WITH DRAIN HOLES			DRAINS: WITH DRAIN HOLES			DRAINS: WITH DRAIN HOLES			DRAINS: WITH DRAIN HOLES							
	PEGS: WITH PEGS			PEGS: WITH PEGS			PEGS: WITH PEGS			PEGS: WITH PEGS							
	MAT'L: 94V-2 [NATURAL]			MAT'L: 94V-0 [NATURAL]			MAT'L: 94V-2 [NATURAL]			MAT'L: 94V-0 [NATURAL]							
	PACKAGING: TRAY PER PK-42440-001			PACKAGING: TRAY PER PK-42440-001			PACKAGING: TRAY PER PK-42440-001			PACKAGING: TRAY PER PK-42440-001							
F	PART NO.	ENG NO.		CKTS	PART NO.	ENG NO.		CKTS	PART NO.	ENG NO.		CKTS	PART NO.	ENG NO.		CKTS	F
	NO EDP	A-42440-0231	-	2	NO EDP	A-42440-0241	-	2	NO EDP	A-42440-0232	-	2	NO EDP	A-42440-0242	-	2	
	15-24-6046	A-42440-0431	-	4	15-24-6047	A-42440-0441	-	4	15-28-6046	A-42440-0432	-	4	15-28-6047	A-42440-0442	-	4	
	15-24-6066	A-42440-0631	-	6	NO EDP	A-42440-0641	-	6	15-28-6066	A-42440-0632	-	6	NO EDP	A-42440-0642	-	6	
	NO EDP	A-42440-0831	-	8	NO EDP	A-42440-0841	-	8	NO EDP	A-42440-0832	-	8	NO EDP	A-42440-0842	-	8	
	15-24-6106	A-42440-1031	-	10	15-24-6107	A-42440-1041	-	10	15-28-6106	A-42440-1032	-	10	15-28-6107	A-42440-1042	-	10	
	NO EDP	A-42440-1231	-	12	NO EDP	A-42440-1241	-	12	NO EDP	A-42440-1232	-	12	NO EDP	A-42440-1242	-	12	
E	15-24-6146	A-42440-1431	-	14	15-24-6147	A-42440-1441	-	14	15-28-6146	A-42440-1432	-	14	15-28-6147	A-42440-1442	-	14	E
	NO EDP	A-42440-1631	-	16	NO EDP	A-42440-1641	-	16	NO EDP	A-42440-1632	-	16	NO EDP	A-42440-1642	-	16	
	15-24-6186	A-42440-1831	-	18	15-24-6187	A-42440-1841	-	18	15-28-6186	A-42440-1832	-	18	15-28-6187	A-42440-1842	-	18	
	NO EDP	A-42440-2031	-	20	NO EDP	A-42440-2041	-	20	NO EDP	A-42440-2032	-	20	NO EDP	A-42440-2042	-	20	
	NO EDP	A-42440-2231	-	22	NO EDP	A-42440-2241	-	22	NO EDP	A-42440-2232	-	22	NO EDP	A-42440-2242	-	22	
	15-24-6246	A-42440-2431	-	24	15-24-6247	A-42440-2441	-	24	15-28-6246	A-42440-2432	-	24	15-28-6247	A-42440-2442	-	24	

D														D
C														C
B														B
A														A

<b>STANDARDIZE NOTES</b> FCC NO: UCP2007-2152 DRWN:LSCHM1DT 2007/03/12 CHKD:ADERR 2007/03/19 APPR:FSM TH 2007/03/19 REVISIONS	<b>QUALITY SYMBOLS</b> = 0 = 0	<b>GENERAL TOLERANCES (UNLESS SPECIFIED)</b> <table border="0" style="width: 100%;"> <tr> <td style="text-align: center;">mm</td> <td style="text-align: center;">INCH</td> </tr> <tr> <td>4 PLACES ± ---</td> <td>± ---</td> </tr> <tr> <td>3 PLACES ± ---</td> <td>± ---</td> </tr> <tr> <td>2 PLACES ± ---</td> <td>± ---</td> </tr> <tr> <td>1 PLACE ± ---</td> <td>± ---</td> </tr> <tr> <td colspan="2" style="text-align: center;">ANGULAR ± ---°</td> </tr> </table>	mm	INCH	4 PLACES ± ---	± ---	3 PLACES ± ---	± ---	2 PLACES ± ---	± ---	1 PLACE ± ---	± ---	ANGULAR ± ---°		<b>DIMENSION STYLE</b> IN/MM DRAWN BY: GEP DATE: 1995/03/03 CHECKED BY: RJF DATE: 1995/03/03 APPROVED BY: RJF DATE: 1995/03/03	<b>SCALE</b> --- <b>DESIGN UNITS</b> METRIC THIRD ANGLE PROJECTION	<b>MINI-FIT B.M.I. VERTICAL HEADER ASSY WITH DRAIN HOLE OPTION</b>  <b>MOLEX INCORPORATED</b>	MATERIAL NO. <b>SDA-42440-****</b> DOCUMENT NO. SHEET NO. <b>4 OF 6</b>
mm	INCH																	
4 PLACES ± ---	± ---																	
3 PLACES ± ---	± ---																	
2 PLACES ± ---	± ---																	
1 PLACE ± ---	± ---																	
ANGULAR ± ---°																		
<b>DRAFT WHERE APPLICABLE MUST REMAIN WITHIN DIMENSIONS</b>					<b>SEE CHART</b>	<b>THIS DRAWING CONTAINS INFORMATION THAT IS PROPRIETARY TO MOLEX INCORPORATED AND SHOULD NOT BE USED WITHOUT WRITTEN PERMISSION</b>												