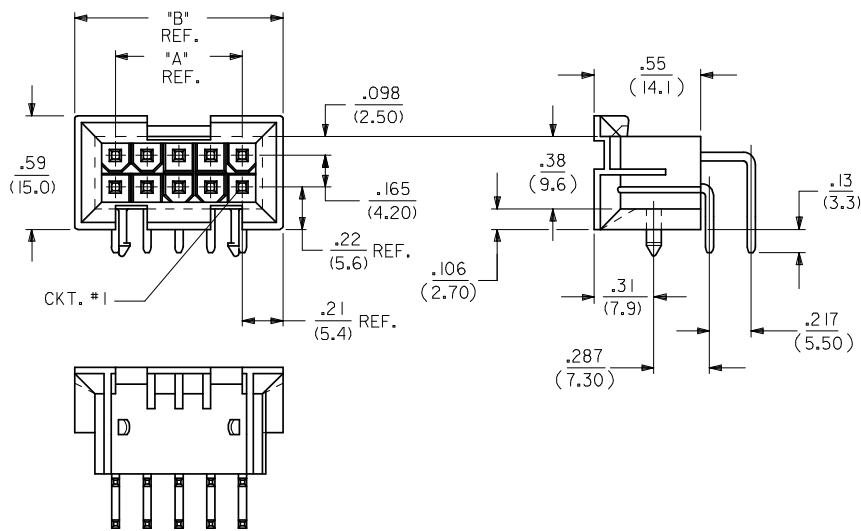


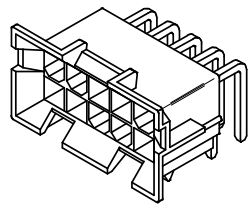
CIRCUIT SIZE	DIM. "A"	DIM. "B"
6	.331 (8.40)	.76 (19.2)
8	.496 (12.60)	.92 (23.4)
10	.661 (16.80)	1.09 (27.6)
12	.827 (21.00)	1.25 (31.8)
14	.992 (25.20)	1.42 (36.0)
16	1.157 (29.40)	1.58 (40.2)
18	1.323 (33.60)	1.75 (44.4)
20	1.488 (37.80)	1.91 (48.6)
22	1.654 (42.00)	2.08 (52.8)
24	1.819 (46.20)	2.24 (57.0)



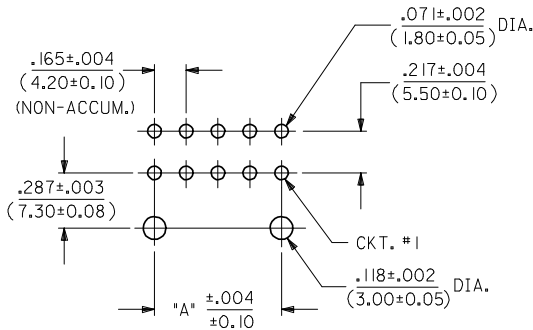
**NOTES:**

- MATERIAL: HOUSING: "A" = NYLON 6/6, U.L. 94V-2, COLOR: NATURAL. "B" = NYLON 6/6, U.L. 94V-0, COLOR: NATURAL. TERMINAL: BRASS ALLOY 260.
- TERMINAL PLATING:
  - .000100/(.00254) MIN. BRIGHT TIN OVER .000050/(.00127) MIN. NICKEL OVERALL.
  - .000030/(.00076) MIN. GOLD OVER .000050/(.00127) MIN. NICKEL OVERALL.
  - .000100/(.00254) MIN. MATTE TIN OVER .000050/(.00127) MIN. NICKEL OVERALL.
  - .000050/(.00127) MIN. GOLD OVER .000050/(.00127) MIN. NICKEL OVERALL.
  - .000030/(.00076) MIN. GOLD AND .000100/(.00254) MIN. MATTE TIN OVER .000050/(.00127) MIN. NICKEL OVERALL.

\*THE PRIMARY SHIPPING CARTON WILL BE LABELED "COMPLIANT TO RoHS DIRECTIVE 2002/95/EC AND ELV ANNEX II OF DIRECTIVE 2000/53/EC." CARTONS WITHOUT THIS LABEL MAY CONTAIN PRODUCT WITH TIN-LEAD PLATING.
- PRODUCT SPECIFICATION AND PROCESSING PARAMETERS: SEE PS-5556-002
- PACKAGING SPECIFICATION: PK-42404-002.
- 4-24 CKT. PARTS MATE WITH MINI-FIT JR. RECEPTACLES #5557, #42385 AND #42474. 2 CKT. PART MATES WITH #42385 AND #42474 ONLY.
- PART ALLOWS FOR UP TO .100/(2.54) MISALIGNMENT WITH MATING RECEPTACLE IN ANY DIRECTION. SEE MATING CONNECTOR DRAWINGS FOR SPECIFIC ALLOWANCES.
- CONNECTOR ASSEMBLIES ARE NOT TO BE MATED OR UNMATED WHILE CIRCUITS ARE LIVE.
- A MAXIMUM TOLERANCE OF .050/(1.27) ALLOWS FOR 2 POINTS OF ELECTRICAL CONTACT. A MAXIMUM TOLERANCE OF .020/(.51) ALLOWS FOR 4 POINTS OF CONTACT.
- DISCOLORATION IN THE BANDOLIER CARRIER AREA OF THE PIN IS INHERENT TO THE PLATING PROCESS AND IS DUE TO THE MASKING EFFECT OF THE CARRIER. THIS DISCOLORATION IS IN A NON-FUNCTIONAL AREA OF THE PIN AND WILL NOT AFFECT THE PERFORMANCE OF THE HEADER ASSEMBLY.
- PART IS NOT DESIGNED FOR CURRENT SHARING.
- PART IS NOT INTENDED TO PROVIDE ANY ALIGNMENT OF CUSTOMER COMPONENTS OR MODULES, SUCH AS POWER SUPPLIES AND CHASSIS.
- PARTS CONFORM TO CLASS "B" REQUIREMENTS OF COSMETIC SPECIFICATION PS-45499-002.\*



A-42404-\*\*\*\*



RECOMMENDED HOLE LAYOUT FOR .070/(1.78) MAX. THICK P.C. BOARD VIEWED FROM COMPONENT SIDE

**LEGEND:**

BASE NUMBER: A-42404-\*\*\*\*

CKT. SIZE: (02-24)

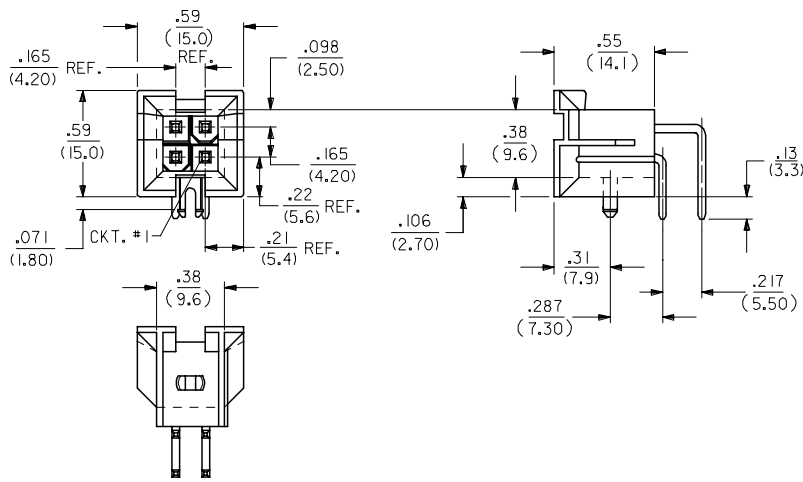
HOUSING MAT'L: (SEE NOTE 1)

TERMINAL PLATING: (SEE NOTE 2)

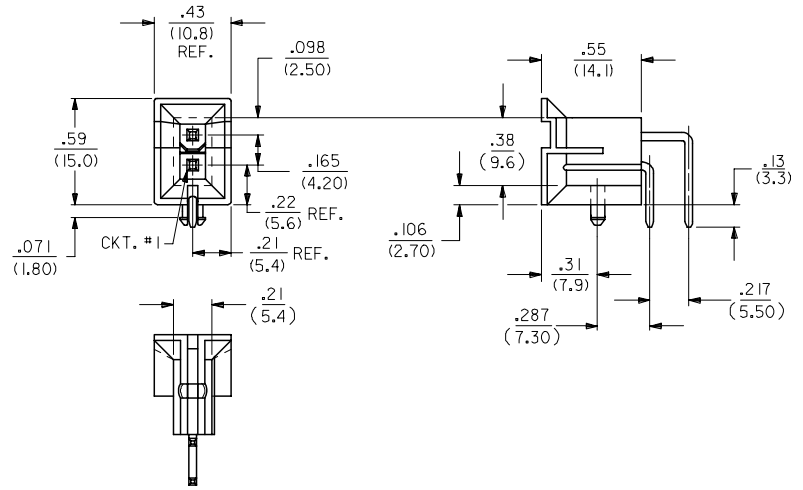
Part	Part No.	Material	Finish
C	---B2, ---B4	42474-***2I, 5556-PBGS*P	94V-0
	---A2, ---A4	42474-***1I, 5556-PBGS*P	94V-2
C	---B1, ---B3	42474-***2I, 5556-PBS*P	94V-0
	---A1, ---A3	42474-***1I, 5556-PBS*P	94V-2
C	---B2, ---B4	42474-***2I, 5556-GS*P	94V-0
	---A2, ---A4	42474-***1I, 5556-GS*P	94V-2
C	---B1, ---B3	42474-***2I, 5556-S*P	94V-0
	---A1, ---A3	42474-***1I, 5556-S*P	94V-2
B	---B2, ---B4	A-42385-***D2	94V-0
	---A2, ---A4	A-42385-***C2	94V-2
B	---B1, ---B3	A-42385-***D1	94V-0
	---A1, ---A3	A-42385-***C1	94V-2
B	---B2, ---B4	A-42385-***B2	94V-0
	---A2, ---A4	A-42385-***A2	94V-2
B	---B1, ---B3	A-42385-***B1	94V-0
	---A1, ---A3	A-42385-***A1	94V-2

R.A. HEADER	MATING CONNECTOR	HSG. MAT'L.	TERM. MAT'L.	PLATING
A-42404				MATING CONNECTOR FEATURES

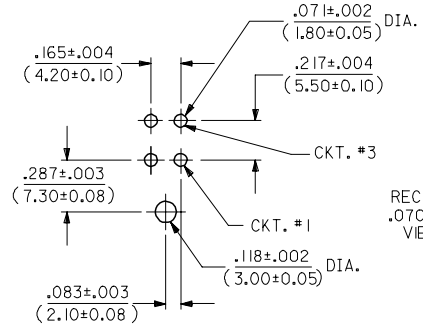
<b>REVISE NOTES</b> EC NO: UCP2008-3019 DRWING: GVERILL 2008/08/21 CHKD: JEBEL 2008/08/22 APPR: FSM/TH 2008/08/22 R1	<b>QUALITY SYMBOLS</b> ▽=0 ▽=0	<b>GENERAL TOLERANCES (UNLESS SPECIFIED)</b>		<b>DIMENSION STYLE</b> IN/MM		SCALE 2:1	DESIGN UNITS METRIC	THIRD ANGLE PROJECTION	
		mm      INCH		DRAWN BY RWK	DATE 2/7/89	TITLE MINI-FIT JR. 2-24 CKT RIGHT ANGLE HEADER ASSY (BLIND MATE)			
		4 PLACES ± --- ± --- 3 PLACES ± --- ± .010 2 PLACES ± 0.25 ± .015 1 PLACE ± 0.38 ± ---		CHECKED BY RJF	DATE 2/7/89	MOLEX MOLEX INCORPORATED			
		ANGULAR ±1/2°		APPROVED BY RAS	DATE 2/7/89	MATERIAL NO. SEE SHTS 3&4	DOCUMENT NO. SDA-42404-****	SHEET NO. 1 OF 4	
DRAFT WHERE APPLICABLE MUST REMAIN WITHIN DIMENSIONS				THIS DRAWING CONTAINS INFORMATION THAT IS PROPRIETARY TO MOLEX INCORPORATED AND SHOULD NOT BE USED WITHOUT WRITTEN PERMISSION					



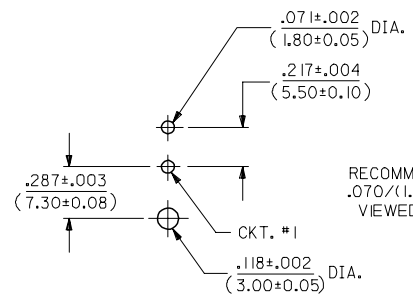
A-42404-04\*\*



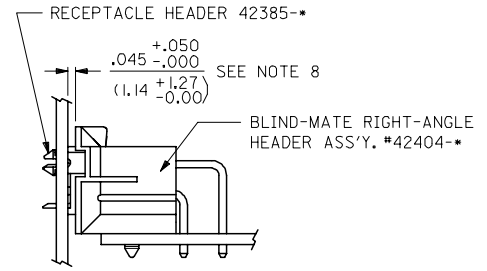
A-42404-02\*\*



RECOMMENDED HOLE LAYOUT FOR  
.070/(1.78) MAX. THICK P.C. BOARD  
VIEWED FROM COMPONENT SIDE



RECOMMENDED HOLE LAYOUT FOR  
.070/(1.78) MAX. THICK P.C. BOARD  
VIEWED FROM COMPONENT SIDE



PANEL-TO-P.C.BOARD

SEE SHEET 1 FC NO: UCP2006-1780 DRW:ADRAINOL 2006/02/03 CHKD:GPOLGAR 2006/02/03 APPR:ICOMERCJ 2006/02/06 REV:	QUALITY SYMBOLS ▽=0 ▽=0	GENERAL TOLERANCES (UNLESS SPECIFIED) 4 PLACES ± --- ± --- 3 PLACES ± --- ± .01 2 PLACES ± 0.25 ± .015 1 PLACE ± 0.38 ± --- ANGULAR ±1/2°	DIMENSION STYLE IN/MM DRAWN BY DATE RWK 1989/02/07 CHECKED BY DATE RJF 1989/02/07 APPROVED BY DATE RAS 1989/02/07 MATERIAL NO. DOCUMENT NO.	SCALE 2:1 DESIGN UNITS METRIC THIRD ANGLE PROJECTION	TITLE MINI-FIT JR. 2-24 CKT RIGHT ANGLE HEADER ASSY (BLIND MATE)	SHEET NO. 2 OF 4	
	DRAFT WHERE APPLICABLE MUST REMAIN WITHIN DIMENSIONS		SEE SHTS 3&4 SDA-42404-****	MOLEX MOLEX INCORPORATED	THIS DRAWING CONTAINS INFORMATION THAT IS PROPRIETARY TO MOLEX INCORPORATED AND SHOULD NOT BE USED WITHOUT WRITTEN PERMISSION		

J	I	H	G	F	E	D	C	B	A
PLATING (NOTE 5)	HOUSING MATERIAL	CKT. SIZE	PART NUMBER	ENG. NUMBER	HOUSING MATERIAL	CKT. SIZE	PART NUMBER	ENG. NUMBER	PLATING (NOTE 5)
MATTE TIN OVER NICKEL	94V-2	2	NOT TOOLED	A-42404-02A3	94V-2	2	NOT TOOLED	A-42404-02A1	BRIGHT TIN OVER NICKEL
		4	NOT TOOLED	-04A3		4	I5-24-6040	-04A1	
		6	NOT TOOLED	-06A3		6	I5-24-6060	-06A1	
		8	NOT TOOLED	-08A3		8	NOT TOOLED	-08A1	
		10	NOT TOOLED	-10A3		10	I5-24-6100	-10A1	
		12	NOT TOOLED	-12A3		12	NOT TOOLED	-12A1	
		14	NOT TOOLED	-14A3		14	I5-24-6140	-14A1	
		16	NOT TOOLED	-16A3		16	NOT TOOLED	-16A1	
		18	NOT TOOLED	-18A3		18	I5-24-6180	-18A1	
		20	NOT TOOLED	-20A3		20	NOT TOOLED	-20A1	
		22	NOT TOOLED	-22A3		22	NOT TOOLED	-22A1	
MATTE TIN OVER NICKEL	94V-2	24	NOT TOOLED	A-42404-24A3	94V-2	24	I5-24-6240	A-42404-24A1	BRIGHT TIN OVER NICKEL
50 M.I. GOLD	94V-2	2	NOT TOOLED	A-42404-02A4	94V-2	2	NOT TOOLED	A-42404-02A2	30 M.I. GOLD
		4	I5-24-9046	-04A4		4	I5-24-9043	-04A2	
		6	NOT TOOLED	-06A4		6	I5-24-9063	-06A2	
		8	NOT TOOLED	-08A4		8	NOT TOOLED	-08A2	
		10	NOT TOOLED	-10A4		10	I5-24-9103	-10A2	
		12	NOT TOOLED	-12A4		12	NOT TOOLED	-12A2	
		14	NOT TOOLED	-14A4		14	I5-24-9143	-14A2	
		16	NOT TOOLED	-16A4		16	NOT TOOLED	-16A2	
		18	NOT TOOLED	-18A4		18	I5-24-9183	-18A2	
		20	NOT TOOLED	-20A4		20	NOT TOOLED	-20A2	
		22	NOT TOOLED	-22A4		22	NOT TOOLED	-22A2	
50 M.I. GOLD	94V-2	24	NOT TOOLED	A-42404-24A4	94V-2	24	I5-24-9243	A-42404-24A2	30 M.I. GOLD
50 M.I. GOLD	94V-0	2	NOT TOOLED	A-42404-02B4	94V-0	2	NOT TOOLED	A-42404-02B1	BRIGHT TIN OVER NICKEL
		4	NOT TOOLED	-04B4		4	I5-24-9044	-04B1	
		6	NOT TOOLED	-06B4		6	I5-24-9064	-06B1	
		8	NOT TOOLED	-08B4		8	NOT TOOLED	-08B1	
		10	NOT TOOLED	-10B4		10	I5-24-9104	-10B1	
		12	NOT TOOLED	-12B4		12	NOT TOOLED	-12B1	
		14	NOT TOOLED	-14B4		14	I5-24-9144	-14B1	
		16	NOT TOOLED	-16B4		16	I5-24-9164	-16B1	
		18	NOT TOOLED	-18B4		18	I5-24-9184	-18B1	
		20	NOT TOOLED	-20B4		20	NOT TOOLED	-20B1	
		22	NOT TOOLED	-22B4		22	NOT TOOLED	-22B1	
50 M.I. GOLD	94V-0	24	NOT TOOLED	A-42404-24B4	94V-0	24	I5-24-9244	A-42404-24B1	BRIGHT TIN OVER NICKEL
		2	NOT TOOLED	A-42404-02B2	94V-0	2	NOT TOOLED	A-42404-02B2	30 M.I. GOLD
		4	I5-24-9045	-04B2		4	I5-24-9045	-04B2	
		6	I5-24-9065	-06B2		6	I5-24-9065	-06B2	
		8	NOT TOOLED	-08B2		8	NOT TOOLED	-08B2	
		10	I5-24-9105	-10B2		10	I5-24-9105	-10B2	
		12	NOT TOOLED	-12B2		12	NOT TOOLED	-12B2	
		14	I5-24-9145	-14B2		14	I5-24-9145	-14B2	
		16	I5-24-9165	-16B2		16	I5-24-9165	-16B2	
		18	I5-24-9185	-18B2		18	I5-24-9185	-18B2	
		20	NOT TOOLED	-20B2		20	NOT TOOLED	-20B2	
		22	NOT TOOLED	-22B2		22	NOT TOOLED	-22B2	
		24	I5-24-9245	A-42404-24B2	94V-0	24	I5-24-9245	A-42404-24B2	30 M.I. GOLD

**CORRECT PLATING**  
 EC NO: UCP2008-3019  
 DRWNG: GVERILL 2008/08/21  
 CHKD: J.BELL 2008/08/22  
 APPR: FSM/TH 2008/08/22

QUALITY SYMBOLS  
 ▽=0  
 ▽=0

GENERAL TOLERANCES (UNLESS SPECIFIED)

	mm	INCH
4 PLACES	± .005	± .0002
3 PLACES	± .005	± .0002
2 PLACES	± .005	± .0002
1 PLACE	± .005	± .0002

ANGULAR ±1/2°

DRAFT WHERE APPLICABLE  
 MUST REMAIN WITHIN DIMENSIONS

SEE CHARTS

THIS DRAWING CONTAINS INFORMATION THAT IS PROPRIETARY TO MOLEX INCORPORATED AND SHOULD NOT BE USED WITHOUT WRITTEN PERMISSION

DIMENSION STYLE: IN/MM

SCALE: --- METRIC

DESIGN UNITS: METRIC

THIRD ANGLE PROJECTION

TITLE: MINI-FIT JR. 2-24 CKT RIGHT ANGLE HEADER ASSY (BLIND MATE)

MOLEX INCORPORATED

DOCUMENT NO: SDA-42404-\*\*\*\*

SHEET NO: 3 OF 4