

**PLEASE CHECK WWW.MOLEX.COM FOR LATEST PART INFORMATION**

**Part Number:** [0015247181](#)  
**Status:** **Active**  
**Description:** 4.20mm (.165") Pitch Mini-Fit BMI™ Receptacle Header, Dual Row, Vertical, with Snap-In Plastic Pegs, Post 2.54µm (100µ") Tin (Sn), UL 94V-0, 18 Circuits

**Documents:**

[3D Model](#) [Product Specification PS-5556-002 \(PDF\)](#)  
[Drawing \(PDF\)](#) [RoHS Certificate of Compliance \(PDF\)](#)  
[Packaging Specification \(PDF\)](#)

**General**

Product Family	PCB Receptacles
Series	42385
Application	Board-to-Board
Comments	Solder Type With Pegs
Product Name	Mini-Fit BMI™

**Physical**

Circuits (Loaded)	18
Color - Resin	Natural (White)
Durability (mating cycles max)	30
Flammability	94V-0
Glow-Wire Compliant	No
Guide to Mating Part	Yes
Keying to Mating Part	None
Lock to Mating Part	None
Material - Metal	Brass
Material - Plating Mating	Tin
Material - Resin	Nylon
Number of Rows	2
Orientation	Vertical
PCB Locator	Yes
PCB Retention	Yes
PCB Thickness Recommended (in)	0.070 In
PCB Thickness Recommended (mm)	1.80 mm
Packaging Type	Tray
Pitch - Mating Interface (in)	0.165 In
Pitch - Mating Interface (mm)	4.20 mm
Polarized to Mating Part	Yes
Polarized to PCB	Yes
Surface Mount Compatible (SMC)	No
Temperature Range - Operating	-40°C to +105°C
Termination Interface: Style	Through Hole

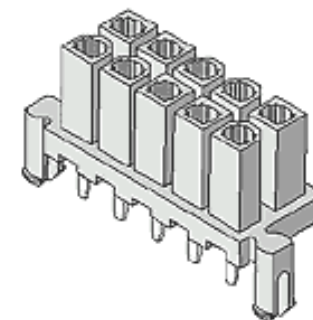
**Electrical**

CSA	LR19980
Current - Maximum	6A
Grounding to PCB	No
UL	E29179
Voltage - Maximum	600V

**Solder Process Data**

Duration at Max. Process Temperature (seconds)	5
Lead-free Process Capability	Wave Capable (TH only)
Max. Cycles at Max. Process Temperature	1
Process Temperature max. C	240

**Material Info**



Series image - Reference only

**EU RoHS**

**ELV and RoHS Compliant**

**REACH SVHC**

**Contains SVHC: No**

**Halogen-Free**

**Status**

**Halogen-Free**

**Need more information on product environmental compliance?**

Email [productcompliance@molex.com](mailto:productcompliance@molex.com)  
Please visit the [Contact Us](#) section for any non-product compliance questions.

**China RoHS**



**Search Parts in this Series**

[42385 Series](#)

**Mates With**

[42475](#) Panel Mount Plug, [42404](#) Vertical Header, [42440](#) Vertical Header, [43879](#) Vertical Header, [44068](#) Vertical Header

Old Part Number

42385-18B1

**Reference - Drawing Numbers**

Product Specification

PS-5556-002

Sales Drawing

SDA-42385-\*

This document was generated on 11/04/2009

**PLEASE CHECK [WWW.MOLEX.COM](http://WWW.MOLEX.COM) FOR LATEST PART INFORMATION**