

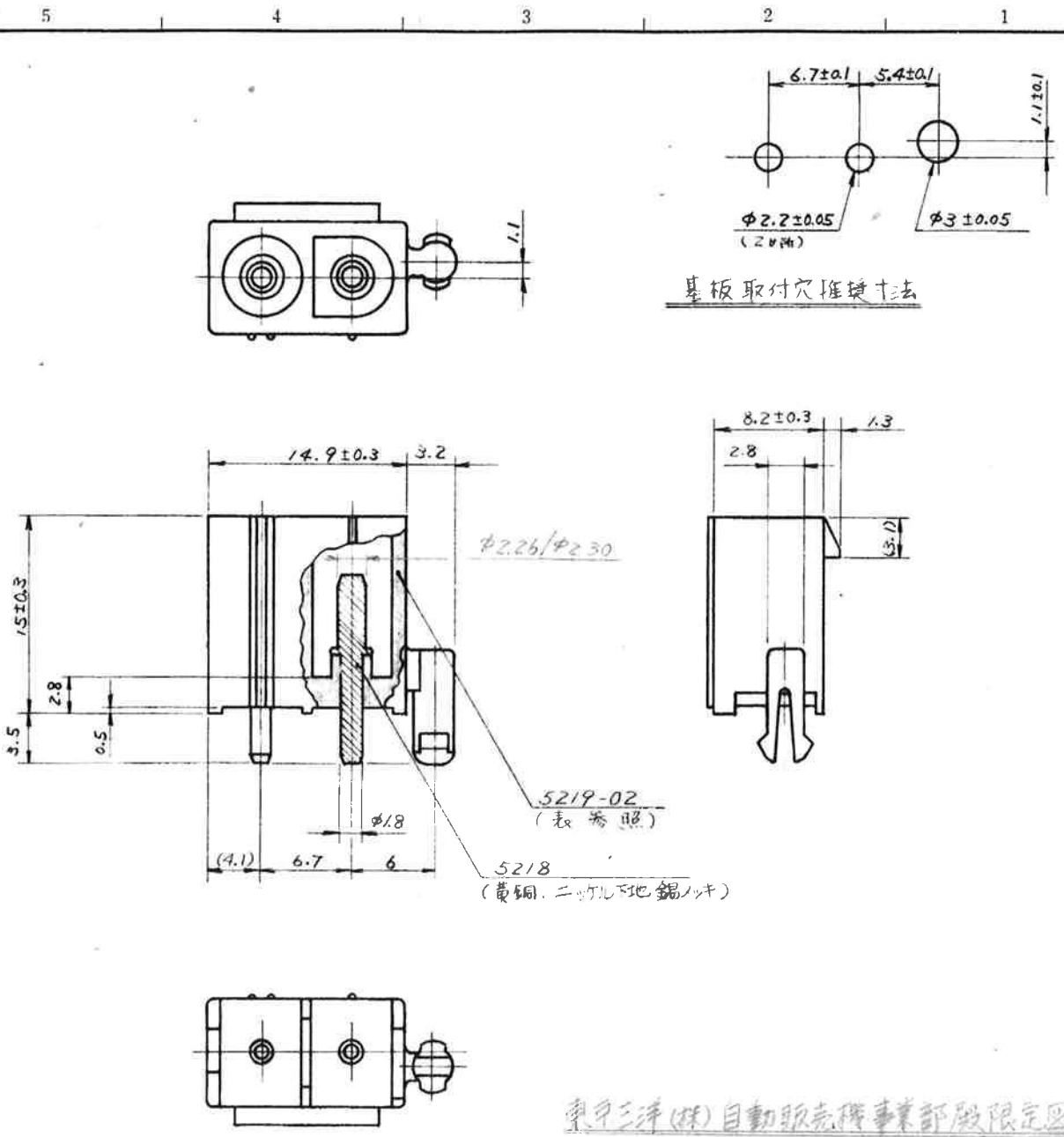
ENG. NO. SD -5219-02A\*

EDP NO.

▽

DIMENSIONS IN METRIC DO NOT SCALE DRAWING

単位: MM



φ2.26/φ2.30  
5219-02 (表参照)  
5218 (黄銅、ニッケル下地、錫メッキ)

東洋三洋(株)自動販売機事業部限定図面

NOTES 1 適合レセプタクルハウジング  
3191-02R\*

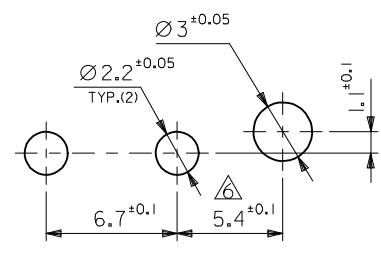
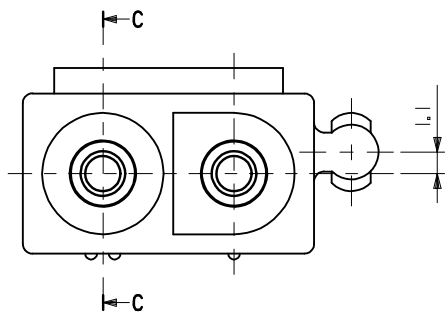
角度	ANGLE	± 3
30 以上	OVER	± 0.3
10 以上 30 未満	OVER UNDER	± 0.25
10 未満	UNDER	± 0.2

一般公差 GENERAL TOLERANCES

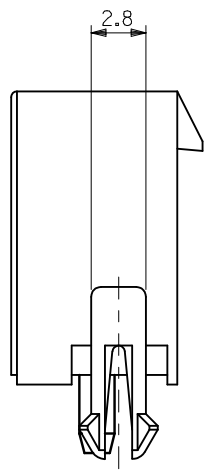
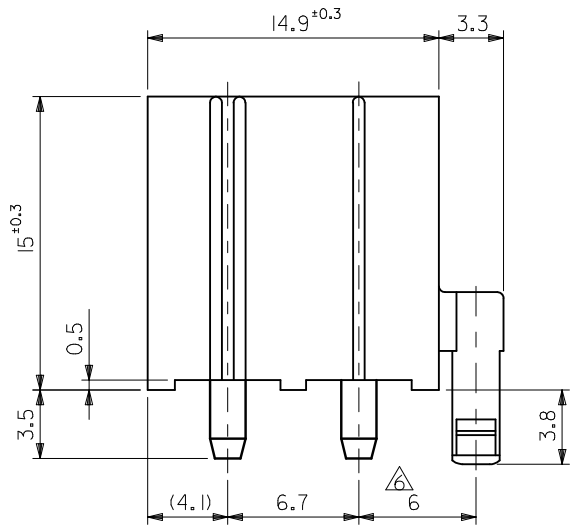
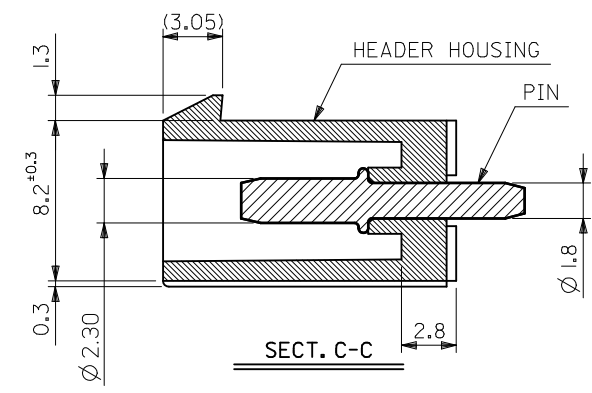
5219-02A	15-31-1026	NYLON 66, 94V-2
ENG. No.	EDP. No.	ハウジングの材質

材料 MATERIAL			MOLEX-JAPAN CO., LTD. 日本モレックス株式会社	
図中記			EDP NO.	
仕上 FINISH			— # —	
適用電線範囲 WIRE RANGE			— # —	
被覆外径 INS. RANGE			— # —	
J <sub>1</sub>	REVISED BY ECN NO. 3416	11/00	3/15/82	REV
J	REVISED BY ECN NO. 2503	16/01	4/82	J <sub>1</sub>
H	REVISED BY ECN No. 2396	MS	3/30/82	
記号 LTR	変更内容 REVISION RECORD	DR	DATE	
		CHK		
DRAWN BY A. Aso		APP'D BY 11/8/79	CHK'D BY 11/8/79	TITLE 名称: NEW INTERNATIONAL CONNECTOR
APP'D BY		尺 度	SCALE	2 - 1
				2 POS. HEADER

10 9 8 7 6 5 4 3 2 1



RECOMMENDED P.C.BOARD HOLE DIM.



NOTES:

- 1) MATERIAL:  
HOUSING: "BLANK" = NYLON 6/6, UL94V-2, COLOR: NATURAL  
"201" = NYLON 6/6, UL94V-0, COLOR: NATURAL  
TERMINAL: C2700W BRASS
- 2) FINISH: 0.000003/(.0000001) MIN. TIN OVERALL OVER  
0.000001/(.00000004) MIN. NICKEL OVERALL
- 3) PRODUCT SPECIFICATION: NONE
- 4) PACKAGING: NONE
- 5) MATES WITH: 3191-02R SERIES  
DIFFERENCE OF DIMENSION TO PREVENT RISE FROM P.C.B.
- 7) PARTS CONFORM TO CLASS 'B' REQUIREMENTS OF COSMETIC SPECIFICATION PS-45499-002.

2	39-28-7028	5219-02A-201
	15-31-1026	5219-02A
CIRCUITS	EDP.NO.	ENG.NO.

SCALE ---	DESIGN UNITS METRIC	THIRD ANGLE PROJECTION
--------------	------------------------	------------------------

TITLE  
**NEW INTERNATIONAL CONN. HEADER AND ASSY**

**molex** MOLEX INCORPORATED

DOCUMENT NO. SD-5219-02A\*-\* SHEET NO. 1 OF 1

UPDATE DIMENSION EC NO: UCP2009-0207 DRWG:GAVRILL 2008/11/04 CHKD:AEHLHAG 2008/11/13 APPR:FSMITH 2008/11/18	QUALITY SYMBOLS	GENERAL TOLERANCES (UNLESS SPECIFIED)	DIMENSION STYLE	SCALE	DESIGN UNITS	THIRD ANGLE PROJECTION			
	▼=0 ▽=0	mm INCH 4 PLACES ± --- ± --- 3 PLACES ± --- ± .005 2 PLACES ± 0.13 ± .010 1 PLACE ± 0.25 ± --- ANGULAR ± 1 °	MM ONLY DRAWN BY DATE H.HASEGAWA 1994/10/26 CHECKED BY DATE H.HIRAMOTO 1996/02/26 APPROVED BY DATE M.FUKUSHIMA 1996/02/26 MATERIAL NO.	---	METRIC	M.O. THIRD ANGLE PROJECTION			
							DRAFT WHERE APPLICABLE MUST REMAIN WITHIN DIMENSIONS	SEE CHART	THIS DRAWING CONTAINS INFORMATION THAT IS PROPRIETARY TO MOLEX INCORPORATED AND SHOULD NOT BE USED WITHOUT WRITTEN PERMISSION
							SIZE B		

9 8 7 6 5 4 3 2 1