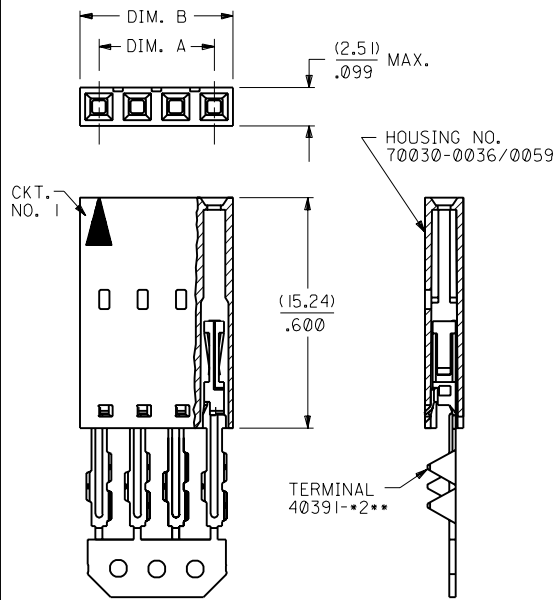
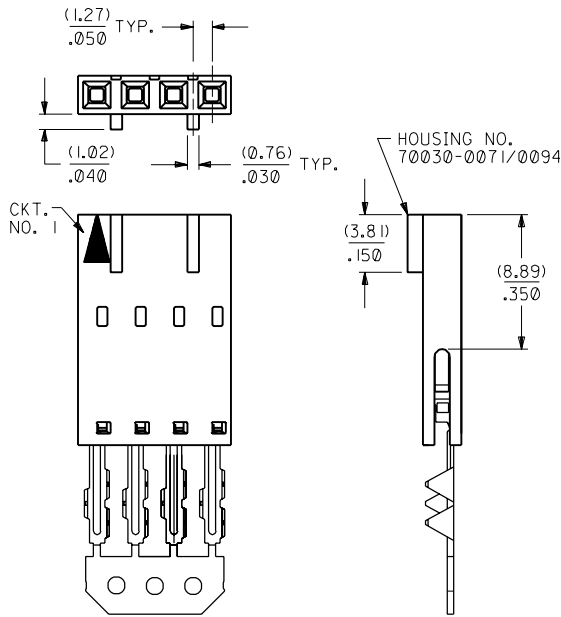


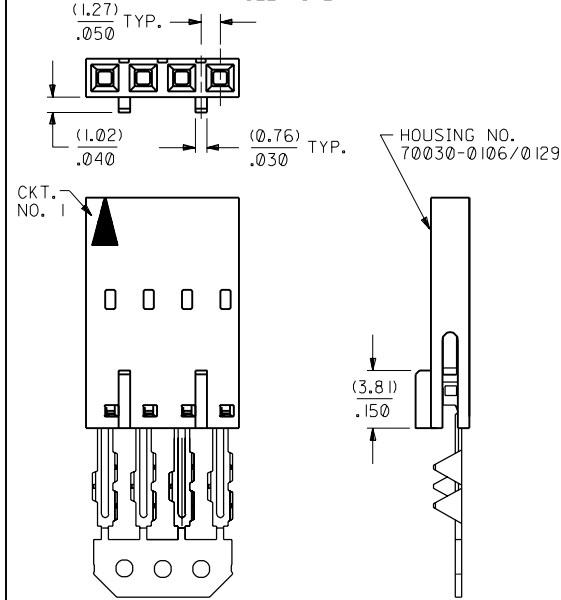
OPTION -A-



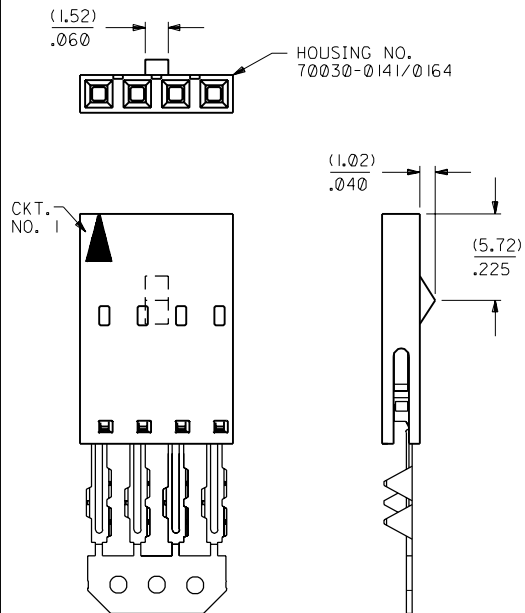
OPTION -C-



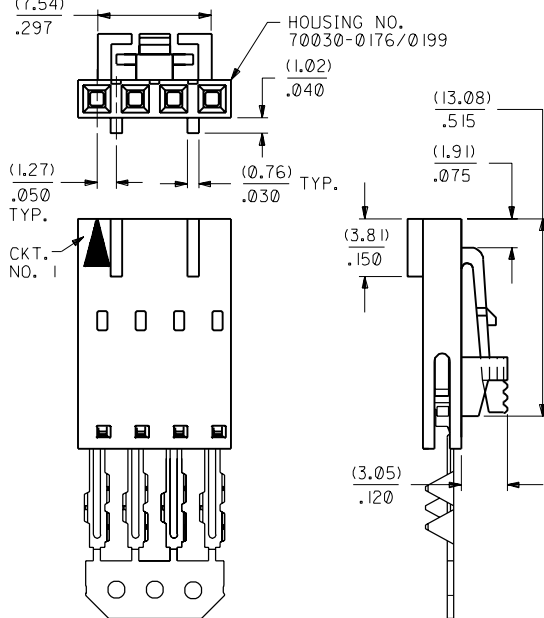
OPTION -D-  
(SEE NOTE 7)



OPTION -E-

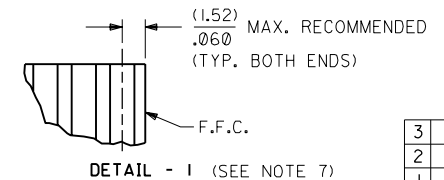


OPTION -G- (SEE NOTE 8)



NOTES:

- SEE CHART FOR CIRCUIT SIZES.
- TERMINALS ARE SHOWN PRE-LOADED INTO HOUSING AND LOCKED INTO FIRST ROW.
- STANDARD PACKAGING PER PK70873-0001 SHALL BE USED.
- ALL DIMENSIONS ARE FOR REFERENCE ONLY.
- SEE SHEET (2) OF FAMILY DRAWING FOR PART NO'S. AND PLATINGS
- PRE LOADED ASSEMBLY TO BE USED WITH (0.35)/.014 MAX. THICK FLAT FLEX CABLE WITH (1.57)/.062 WIDE COPPER CONDUCTORS ON (2.54)/.100 CENTERS OR, (0.13)/.005 - (0.28)/.011 THICK MYLAR WITH (1.02)/.040 - (1.65)/.065 WIDE SILVER INK CONDUCTORS. ON (2.54)/.100 CENTERS.
- RECOMMENDED F.F.C. CONFIGURATION FOR OPTION "D" ONLY; WHEN USED WITH INTERIM CLIPS, SEE DETAIL I.
- SEE SHEET 3 FOR CORE-OUT CONFIGURATION, "G" OPTION.
- TWO (2) CIRCUIT ASSEMBLIES SUPPLIED ASA GROUPED PAIRS.
- PLATING IS COLOR CODED. SEE TABLE ON SHEET 2.



CKT. SIZE	"A"	"B" (MAX.)
2	(2.54) .100	(5.05) .199
3	(5.08) .200	(7.59) .299
4	(7.62) .300	(10.13) .399
5	(10.16) .400	(12.67) .499
6	(12.70) .500	(15.21) .599
7	(15.24) .600	(17.75) .699
8	(17.78) .700	(20.29) .799
9	(20.32) .800	(22.83) .899
10	(22.86) .900	(25.37) .999
11	(25.40) 1.000	(27.91) 1.099
12	(27.94) 1.100	(30.45) 1.199
13	(30.48) 1.200	(32.99) 1.299
14	(33.02) 1.300	(35.53) 1.399
15	(35.56) 1.400	(38.07) 1.499
16	(38.10) 1.500	(40.61) 1.599
17	(40.64) 1.600	(43.15) 1.699
18	(43.18) 1.700	(45.69) 1.799
19	(45.72) 1.800	(48.23) 1.899
20	(48.26) 1.900	(50.77) 1.999
21	(50.80) 2.000	(53.31) 2.099
22	(53.34) 2.100	(55.85) 2.199
23	(55.88) 2.200	(58.39) 2.299
24	(58.42) 2.300	(60.93) 2.399
25	(60.96) 2.400	(63.47) 2.499

D	PRINT CORRECTIONS ECN #UDT2001-1260 BSMART 05/14/01	CI	ADDED EDP NUMBERS PER ECR NO U20028 01-08-92 BJS
C3	ADD CARRIER CHAMF ECN #UDT1998-0280 05/20/98 LMCGRATH	C	REVISED PER ERN# U90726 7-10-89 MGB
C2	REVISED PER ECR NO U40643 05-19-94 WCM	B	REDRAWN ON CAD PER ECR #9479 9/15/86 RAS/MJM
LTR.	REVISIONS	LTR.	REVISIONS

DIMENSIONS SHOWN (METRIC) INCH	
UNLESS OTHERWISE SPECIFIED TOLERANCES: ANGULAR ± 1/2°	
3 PLACE ±	INCH METRIC
2 PLACE ±	---
1 PLACE ---	±
DRAFT WHERE APPLICABLE MUST REMAIN WITHIN DIMENSIONS	
DRW. BY: RAS	CHK'D. BY: MJM
APP'D. BY: WAZ	SCALE: 4:1

▽ = TBD ▼ = TBD REVISE ONLY ON CAD SYSTEM

TITLE: ASSEMBLY, CONNECTOR F.F.C. FEMALE SINGLE ROW (2.54)/.100 GRID: (FAMILY INDEX)

MOLEX INCORPORATED SHEET NO. 1 OF 3 DATE 7/23/86

PART NO. SDA-70430-\*\*\*\*

FAMILY INDEX

THIS DRAWING CONTAINS INFORMATION THAT IS PROPRIETARY TO MOLEX INC. AND SHOULD NOT BE USED WITHOUT WRITTEN PERMISSION.

3	D
2	C2
1	D

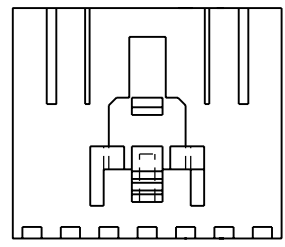
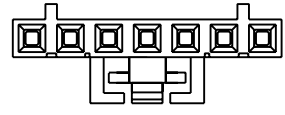
MFG. SH. REV.

70430

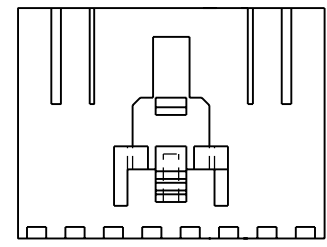
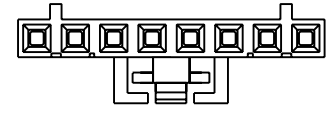
3 D  
2 C2  
1 D

NO PS

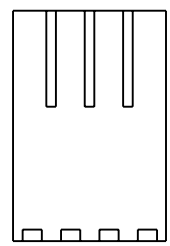
CORE-OUT FOR HSG.  
OPTION "G" - CKT. SIZES 5, 7, 9, 11, 13,  
15, 17, 19, 21, 23, 25 (7 CKT. SHOWN)  
 (FOR CONTROL OF BOW)



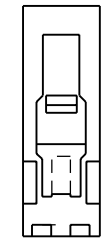
CORE-OUT FOR HSG.  
OPTION "G" - CKT. SIZES 6, 8, 10, 12, 14,  
16, 18, 20, 22, 24 (8 CKT. SHOWN)  
 (FOR CONTROL OF BOW)



CORE-OUT FOR HOUSING  
OPTIONS A, C, & D  
CKT. SIZES 2-25  
 (FOR CONTROL OF BOW)



2 CKT. OPTION "G"  
LATCH CONFIGURATION



MFG. SH. REV.

		C I	SEE SHEET I
		C	SEE SHEET I
D	SEE SHEET I	B	SEE SHEET I
LTR.	REVISIONS	LTR.	REVISIONS

DIMENSIONS SHOWN (METRIC) INCH  
 UNLESS OTHERWISE SPECIFIED  
 TOLERANCES: ANGULAR  $\pm 1/2^\circ$

	INCH	METRIC
3 PLACE	$\pm$ ---	----
2 PLACE	$\pm$ ---	$\pm$ ---
1 PLACE	---	$\pm$ ---

DRAFT WHERE APPLICABLE MUST  
 REMAIN WITHIN DIMENSIONS

DRWG. BY: RAS    CHK'D. BY: MJM  
 APP'D. BY: WAZ    SCALE: 4:1

= 0     = 0    **REVISE ONLY ON CAD SYSTEM**

TITLE: ASSEMBLY, CONNECTOR F.F.C. FEMALE SINGLE ROW (2,54)X.100 GRID: (FAMILY INDEX)

**MOLEX INCORPORATED** U.S.A. SHEET NO. 3 DATE 07/24/86  
 L15LEJLL 60532

PART NO. **SDA-70430-0000** DRWG. NO. **FAMILY INDEX**

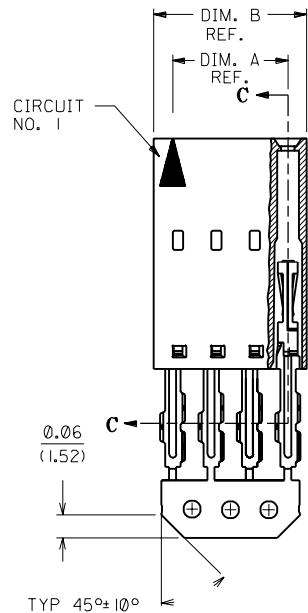
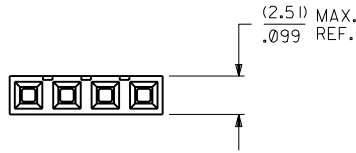
FILE NAME: SE70430X3.DWG    DIV. DA    SIZE C

THIS DRAWING CONTAINS INFORMATION THAT IS PROPRIETARY TO MOLEX INC. AND SHOULD NOT BE USED WITHOUT WRITTEN PERMISSION.

"A" - OPTION

NOTES:

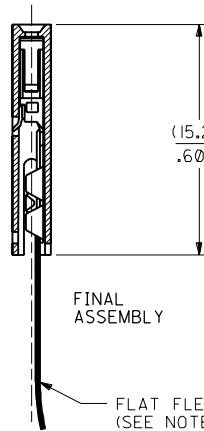
- 1) PRE LOADED ASSEMBLY TO BE USED WITH (0.30)/.012 MAX. THICK FLAT FLEX CABLE WITH (1.57)/.062 WIDE COPPER CONDUCTORS ON (2.54)/.100 CENTERS OR, (0.13)/.005 - (0.28)/.011 THICK MYLAR WITH (1.02)/.040 - (1.65)/.065 WIDE SILVER INK CONDUCTORS ON (2.54)/.100 CENTERS.
- 2) STANDARD PACKING PER PK70873-0001 SHALL BE USED.
- 3) SEE CHART FOR CIRCUIT SIZES, "A" AND "B" DIMENSIONS.
- 4) TWO (2) CIRCUIT ASSEMBLIES SUPPLIED AS GROUPED PAIRS.
- 5) PART MATES WITH ALL MOLEX .100 CENTERLINE HEADERS WITH (0.64)/.025 SQ. PINS, (8.13)/.320 TO (5.08)/.200 LONG.
- 6) PARTS STACKABLE SIDE TO SIDE ON (2.54)/.100 CENTERS.



SECTION C-C



PRE-LOAD ASSEMBLY



FINAL ASSEMBLY  
FLAT FLEX CABLE (F.F.C.)  
(SEE NOTE 1)

HOUSING MATERIAL : G.F. POLYESTER, 94V-0  
CONTACT MATERIAL : PHOSPHOR BRONZE  
PLATING PER E.S.-88-\*\*\*  
164 - .000150 MIN. TIN/LEAD OVER  
.000050 MIN. NICKEL PLATE.

PLATING PER ES-88:	COLOR CODE
164	NONE
571	YELLOW
574	RED

CKT. SIZE	EDP. NO.	ENG. NO.	A	B
2	015-38-8028	70430-0001	(2.54) .100	(5.05) .199
3	015-38-8038	70430-0002	(5.08) .200	(7.59) .299
4	015-38-8048	70430-0003	(7.62) .300	(10.13) .399
5	015-38-8058	70430-0004	(10.16) .400	(12.67) .499
6	015-38-8068	70430-0005	(12.70) .500	(15.21) .599
7	015-38-8078	70430-0006	(15.24) .600	(17.75) .699
8	015-38-8088	70430-0007	(17.78) .700	(20.29) .799
9	015-38-8098	70430-0008	(20.32) .800	(22.83) .899
10	015-38-8108	70430-0009	(22.86) .900	(25.37) .999
11	015-38-8118	70430-0010	(25.40) 1.000	(27.91) 1.099
12	015-38-8128	70430-0011	(27.94) 1.100	(30.45) 1.199
13	015-38-8138	70430-0012	(30.48) 1.200	(32.99) 1.299
14	015-38-8148	70430-0013	(33.02) 1.300	(35.53) 1.399
15	015-38-8158	70430-0014	(35.56) 1.400	(38.07) 1.499
16	015-38-8168	70430-0015	(38.10) 1.500	(40.61) 1.599
17	015-38-8178	70430-0016	(40.64) 1.600	(43.15) 1.699
18	015-38-8188	70430-0017	(43.18) 1.700	(45.69) 1.799
19	015-38-8198	70430-0018	(45.72) 1.800	(48.23) 1.899
20	015-38-8208	70430-0019	(48.26) 1.900	(50.77) 1.999
21	015-38-8218	70430-0020	(50.80) 2.000	(53.31) 2.099
22	015-38-8228	70430-0021	(53.34) 2.100	(55.85) 2.199
23	015-38-8238	70430-0022	(55.88) 2.200	(58.39) 2.299
24	015-38-8248	70430-0023	(58.42) 2.300	(60.93) 2.399
25	015-38-8258	70430-0024	(60.96) 2.400	(63.47) 2.499

REVISED PER ECR #U40643 05/19/94 WCM		DIMENSIONS SHOWN (METRIC) INCH UNLESS OTHERWISE SPECIFIED TOLERANCES ANGULAR ± 1/2°		MFG. SH. REV.	
B2		3 PLACE ± INCH METRIC		TITLE ASSEMBLY, CONNECTOR F.F.C. FEMALE SINGLE ROW (2.54)/.100 GRID	
B1		2 PLACE ± ±		DATE 7/21/86	
B3	ADD CARRIER CHAMF ECN #UDT1998-0280 05/20/98 LMCGRATH	1 PLACE ± ±		MOLEX INCORPORATED SHEET NO. 1 U.S.A.	
B	REDRAWN ON CAD PER ECR #9479 9/15/86 RAS/MJM	DRAFT WHERE APPLICABLE MUST REMAIN WITHIN DIMENSIONS		PART NO. 70430-0001-0024	
LTR.	REVISIONS	LTR.	REVISIONS	DRWG. NO. SDA-70430-0001-0024	
		DWG. BY RAS CHK'D. BY MJM		FILE NAME 704300001.DWG	
		APP'D. BY WAZ SCALE 4:1		THIS DRAWING CONTAINS INFORMATION THAT IS PROPRIETARY TO MOLEX INC. AND SHOULD NOT BE USED WITHOUT WRITTEN PERMISSION.	