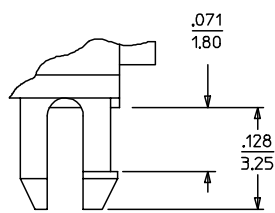
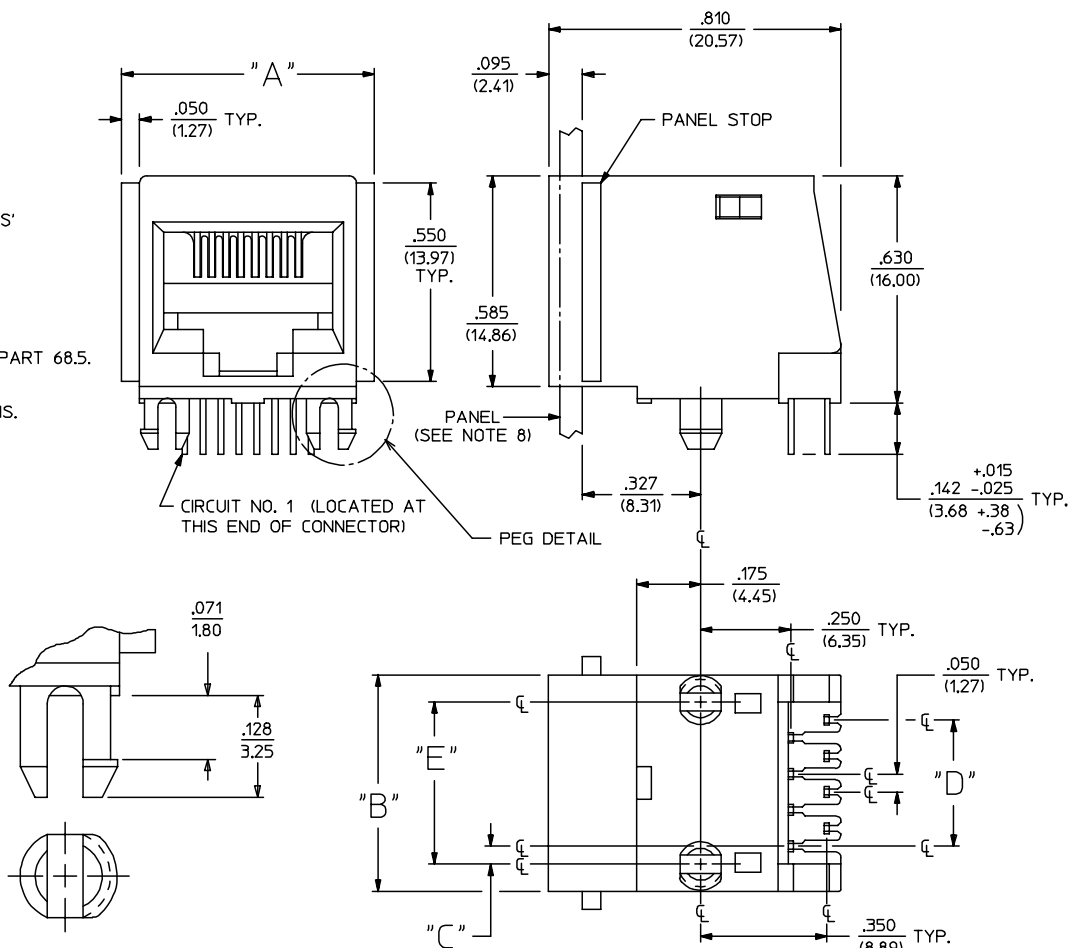


NOTES:

- 1) MATERIALS:  
HOUSING: GLASS FILLED POLYESTER, UL94 V-0, COLOR: BLACK  
TERMINALS: PHOSPHOR BRONZE
- 2) FINISH:  
TERMINALS:  
(A) SELECT GOLD IN CONTACT AREA: 50 MICROINCHES MIN.,  
\*SELECT TIN IN PC TAIL AREA: 100 MICROINCHES MIN.,  
WITH OVERALL NICKEL UNDERPLATE: 50 MICROINCHES MIN.  
(B) SELECT GOLD IN CONTACT AREA: 30 MICROINCHES MIN.,  
\*SELECT TIN IN PC TAIL AREA: 100 MICROINCHES MIN.,  
WITH OVERALL NICKEL UNDERPLATE: 50 MICROINCHES MIN.  
(C) SELECT GOLD IN CONTACT AREA: 15 MICROINCHES MIN.,  
\*SELECT TIN IN PC TAIL AREA: 100 MICROINCHES MIN.,  
WITH OVERALL NICKEL UNDERPLATE: 50 MICROINCHES MIN.  
\*THE PRIMARY SHIPPING CARTON WILL BE LABELED "COMPLIANT TO RoHS"  
DIRECTIVE 2002/95/EC AND ELV ANNEX II OF DIRECTIVE 2000/53/EC".  
CARTONS WITHOUT THIS LABEL MAY CONTAIN PRODUCT WITH TIN-LEAD  
IN THE PC TAIL AREA.
- 3) ALL JACKS MUST MEET THE REQUIREMENTS OF MOLEX SPECIFICATION #PS-41314.
- 4) PACKAGING OPTIONS: TRAYS, TUBES, OR FILM/AMMO PACK.
- 5) JACKS CONFORM TO AND ACCEPT PLUGS WHICH CONFORM TO FCC REGULATIONS, PART 68.5.
- 6) JACKS ARE TO BE USED WITH .062/(1.57) THICK PRINTED CIRCUIT BOARDS.
- 7) SEE SHEET 3 FOR RECOMMENDED PANEL CUT-OUT AND BOARD LAYOUT DIMENSIONS.
- 8) PANEL TO BE LOCATED AGAINST MODULAR JACK FLANGE AS INDICATED.
- 9) ALL UNTOLERANCED DIMENSIONS ARE SHOWN FOR REFERENCE ONLY.



PEG DETAIL  
SCALE: 8:1


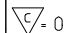

SIZE 8 MODULAR JACK HOUSING LOADED WITH 8 TERMINALS IS SHOWN ABOVE

LEAD FREE PLATING EC NO: UCP2004-1331 DRW:LSCHMIDT 2004/02/23 CHKD:LSCHMIDT 2004/02/23 APPR:FSMITH 2004/02/26	QUALITY SYMBOLS	GENERAL TOLERANCES (UNLESS SPECIFIED)	SCALE 4:1	DESIGN UNITS INCH	THIRD ANGLE PROJECTION	REVISE ON CAD ONLY			
	DESCRIPTION DIMENSION STYLE DIMENSION STYLE IN/MM	4 PLACES ± --- ± --- 3 PLACES ± --- ± --- 2 PLACES ± --- ± --- 1 PLACE ± --- ± ---	DIMENSION STYLE IN/MM	DRAWN BY DATE GLT 1990/05/09	TITLE RIGHT ANGLE FLUSH MOUNT MODULAR JACK ASSEMBLY	SHEET NO. 1 OF 3			
		ANGULAR ±1/2°					CHECKED BY DATE BAP 1990/05/09	MATERIAL NO.	DOCUMENT NO. SEE SHEET 2   SDA-41369-*****
		DRAFT WHERE APPLICABLE MUST REMAIN WITHIN DIMENSIONS					APPROVED BY DATE RAS 1990/05/09	MOLEX INCORPORATED	
THIS DRAWING CONTAINS INFORMATION THAT IS PROPRIETARY TO MOLEX INCORPORATED AND SHOULD NOT BE USED WITHOUT WRITTEN PERMISSION									

8	2	.700 (17.78)	.600 (15.24)	.200 (5.08)	.050 (1.27)	.450 (11.43)
8	4	.700 (17.78)	.600 (15.24)	.150 (3.81)	.150 (3.81)	.450 (11.43)
8	6	.700 (17.78)	.600 (15.24)	.100 (2.54)	.250 (6.35)	.450 (11.43)
8	8	.700 (17.78)	.600 (15.24)	.050 (1.27)	.350 (8.89)	.450 (11.43)
6	2	.620 (15.75)	.520 (13.21)	.175 (4.45)	.050 (1.27)	.400 (10.16)
6	4	.620 (15.75)	.520 (13.21)	.125 (3.18)	.150 (3.81)	.400 (10.16)
6	6	.620 (15.75)	.520 (13.21)	.075 (1.91)	.250 (6.35)	.400 (10.16)
4	2	.540 (13.72)	.440 (11.18)	.125 (3.18)	.050 (1.27)	.300 (7.62)
4	4	.540 (13.72)	.440 (11.18)	.075 (1.91)	.150 (3.81)	.300 (7.62)

HOUSING SIZE	CIRCUIT SIZE	DIM. "A"	DIM. "B"	DIM. "C"	DIM. "D"	DIM. "E"
--------------	--------------	----------	----------	----------	----------	----------

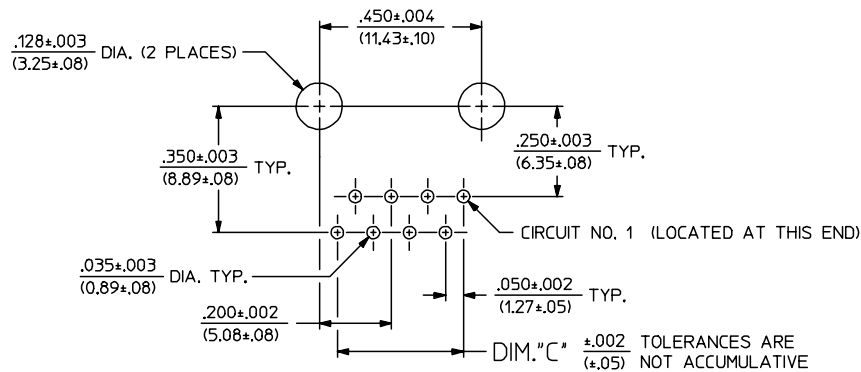
	13	12	11	10	9	8	7	6	5	4	3	2	41369
	ENGINEERING PART NUMBER	E.D.P. NUMBER	HOUSING SIZE	CIRCUIT SIZE	PLATING OPTION	PACKAGING OPTION							
J	A-41369-44AAAA	015-43-7044	4	4	(A)	AMMO PACK							
	A-41369-44ABAA	015-43-7544	4	4	(A)	TRAY PACK							
	A-41369-44CBAA	015-43-7541	4	4	(C)	TRAY PACK							
	A-41369-42AAAA	015-43-7040	4	2	(A)	AMMO PACK							
	A-41369-42ABAA	015-43-7540	4	2	(A)	TRAY PACK							
I	A-41369-66AAAA	015-43-7066	6	6	(A)	AMMO PACK							
	A-41369-66ABAA	015-43-7566	6	6	(A)	TRAY PACK							
	A-41369-66BBAA	015-43-7567	6	6	(B)	TRAY PACK							
	A-41369-64AAAA	015-43-7064	6	4	(A)	AMMO PACK							
	A-41369-64ABAA	015-43-7564	6	4	(A)	TRAY PACK							
	A-41369-64BBAA	015-43-7565	6	4	(B)	TRAY PACK							
	A-41369-62AAAA	015-43-7063	6	2	(A)	AMMO PACK							
	A-41369-62ABAA	015-43-7563	6	2	(A)	TRAY PACK							
	A-41369-88AAAA	015-43-7088	8	8	(A)	AMMO PACK							
H	A-41369-88CAAA	015-43-7083	8	8	(C)	AMMO PACK							
	A-41369-88ABAA	015-43-7588	8	8	(A)	TRAY PACK							
	A-41369-86AAAA	015-43-7086	8	6	(A)	AMMO PACK							
	A-41369-86ABAA	015-43-7586	8	6	(A)	TRAY PACK							
	A-41369-84AAAA	015-43-7084	8	4	(A)	AMMO PACK							
	A-41369-84ABAA	015-43-7584	8	4	(A)	TRAY PACK							
	A-41369-82ABAA	015-43-7580	8	2	(A)	TRAY PACK							
G	A-41369-44ACAA	015-43-7546	4	4	(A)	TUBES							
	A-41369-64ACAA	015-43-7570	6	4	(A)	TUBES							
	A-41369-62ACAA	015-43-7571	6	2	(A)	TUBES							

SEE SHEET ONE EC NO: UCP2004-1331 DRWNL:LSCHMIDT 2004/02/23 CHKD:LSCHMIDT 2004/02/23 APPR:FSMITH 2004/02/26	QUALITY SYMBOLS	GENERAL TOLERANCES (UNLESS SPECIFIED)	SCALE ---	DESIGN UNITS INCH	THIRD ANGLE PROJECTION	REVISE ON CAD ONLY	
	 = 0  = 0	mm	INCH	DIMENSION STYLE IN/MM		TITLE RIGHT ANGLE FLUSH MOUNT MODULAR JACK ASSEMBLY	
		4 PLACES ± --- ± ---	3 PLACES ± --- ± ---	DRAWN BY GLT	DATE 1990/05/09	 MOLEX INCORPORATED	
		2 PLACES ± --- ± ---	1 PLACE ± --- ± ---	CHECKED BY BAP	DATE 1990/05/09		
	ANGULAR ±1/2°	DRAFT WHERE APPLICABLE MUST REMAIN WITHIN DIMENSIONS	APPROVED BY RAS	DATE 1990/05/09	MATERIAL NO. SEE CHART	DOCUMENT NO. SDA-41369-*****	
			THIS DRAWING CONTAINS INFORMATION THAT IS PROPRIETARY TO MOLEX INCORPORATED AND SHOULD NOT BE USED WITHOUT WRITTEN PERMISSION		SHEET NO. 2 OF 3		

J

I

H



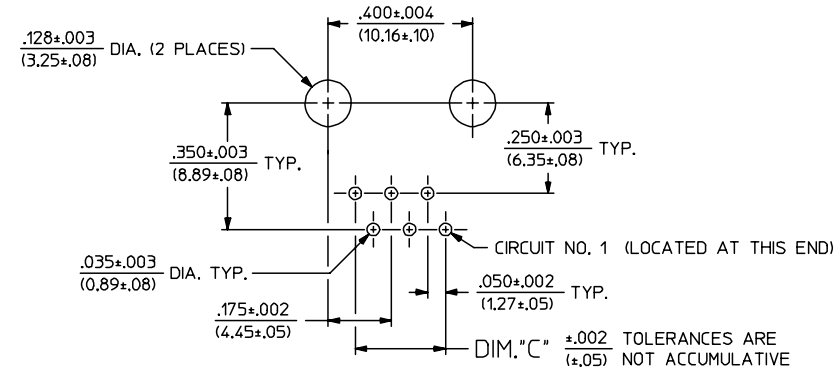
PC BOARD LAYOUT FOR HOUSING SIZE 8

G

F

E

D

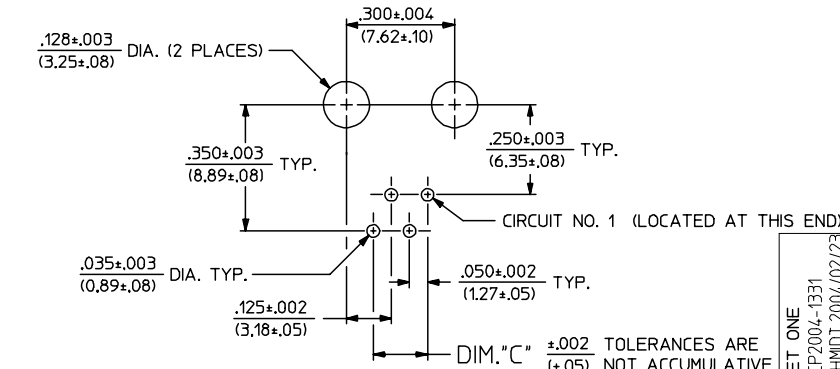


PC BOARD LAYOUT FOR HOUSING SIZE 6

C

B

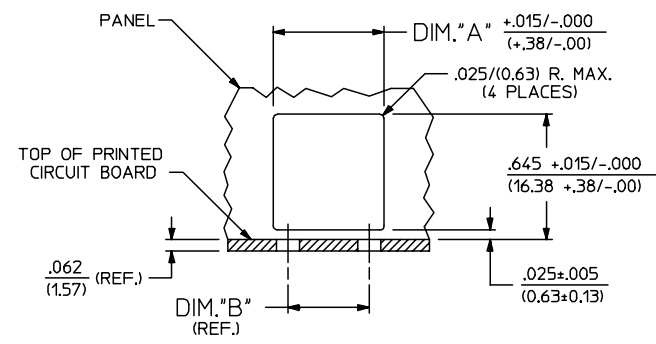
A



PC BOARD LAYOUT FOR HOUSING SIZE 4

ENGINEERING PART NUMBER	HOUSING SIZE	CIRCUIT SIZE	DIM. "A"	DIM. "B"	DIM. "C"
A-41369-44XXXX	4	4	.455/(11.56)	.300/(7.62)	.150/(3.81)
A-41369-42XXXX	4	2	.455/(11.56)	.300/(7.62)	.050/(1.27)
A-41369-66XXXX	6	6	.535/(13.59)	.400/(10.16)	.250/(6.35)
A-41369-64XXXX	6	4	.535/(13.59)	.400/(10.16)	.150/(3.81)
A-41369-62XXXX	6	2	.535/(13.59)	.400/(10.16)	.050/(1.27)
A-41369-88XXXX	8	8	.615/(15.62)	.450/(11.43)	.350/(8.89)
A-41369-86XXXX	8	6	.615/(15.62)	.450/(11.43)	.250/(6.35)
A-41369-84XXXX	8	4	.615/(15.62)	.450/(11.43)	.150/(3.81)
A-41369-82XXXX	8	2	.615/(15.62)	.450/(11.43)	.050/(1.27)

NOTE: ALL RECOMMENDED BOARD LAYOUTS ARE SHOWN AS COMPONENT SIDE OF BOARD



PANEL CUT-OUT GUIDELINES

DIM. "A" MUST BE SYMMETRICAL TO DIM. "B" WITHIN .005/(0.13)

SEE SHEET ONE  
 EC NO: UCP2004-1331  
 DRWN:LSCHMIDT 2004/02/23  
 CHKD:LSCHMIDT 2004/02/23  
 APPR:FSMITH 2004/02/26

QUALITY SYMBOLS	DESCRIPTION
▽ = 0	
▽ = 0	

GENERAL TOLERANCES (UNLESS SPECIFIED)	
mm	INCH
4 PLACES ± ---	± ---
3 PLACES ± ---	± ---
2 PLACES ± ---	± ---
1 PLACE ± ---	± ---
ANGULAR ±1/2°	
DRAFT WHERE APPLICABLE MUST REMAIN WITHIN DIMENSIONS	

SCALE 4:1	DESIGN UNITS INCH
DIMENSION STYLE IN/MM	
DRAWN BY GLT	DATE 1990/05/09
CHECKED BY BAP	DATE 1990/05/09
APPROVED BY RAS	DATE 1990/05/09

THIRD ANGLE PROJECTION	REVISE ON CAD ONLY
TITLE PANEL/BOARD LAYOUTS FOR RIGHT ANGLE FLUSH MOUNT MODULAR JACK ASSEMBLIES	
MOLEX MOLEX INCORPORATED	
MATERIAL NO. SEE SHEET 2	DOCUMENT NO. SDA-41369-*****
SHEET NO. 3 OF 3	