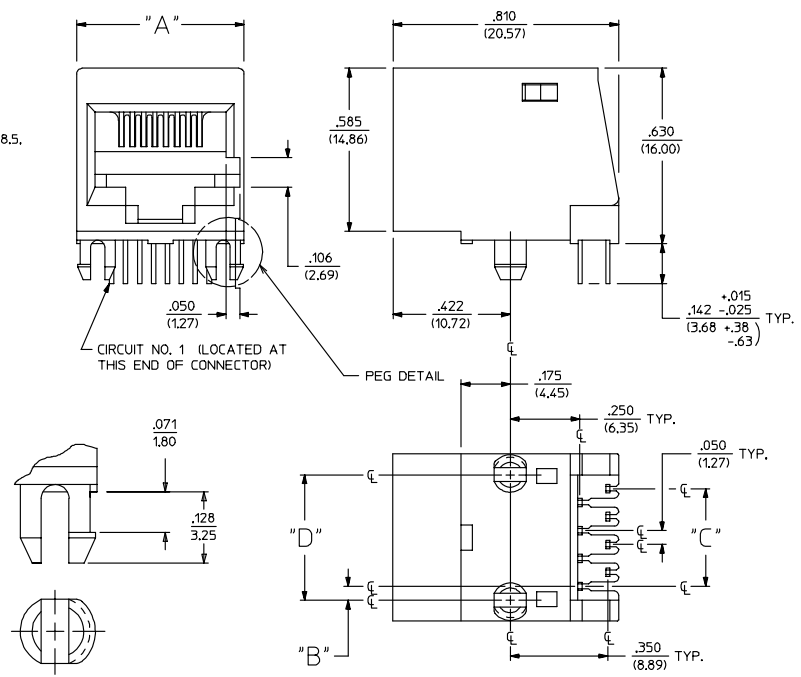


NOTES:

- 1) MATERIALS:
HOUSING: GLASS FILLED POLYESTER, UL94 V-0, COLOR: BLACK
TERMINALS: PHOSPHOR BRONZE
- 2) FINISH:
TERMINALS:
SELECT GOLD IN CONTACT AREA: 50 MICRONS MIN.
*SELECT TIN IN PC TAIL AREA: 100 MICRONS MIN.
WITH OVERALL NICKEL UNDERPLATE: 50 MICRONS MIN.
*THE PRIMARY SHIPPING CARTON WILL BE LABELED "COMPLIANT TO RoHS DIRECTIVE 2002/95/EC AND ELV ANNEX II OF DIRECTIVE 2000/53/EC". CARTONS WITHOUT THIS LABEL MAY CONTAIN PRODUCT WITH TIN-LEAD IN THE PC TAIL AREA.
- 3) ALL JACKS MUST MEET THE REQUIREMENTS OF MOLEX SPECIFICATION #PS-41314.
- 4) PARTS ARE PACKAGED IN TRAYS.
- 5) JACKS CONFORM TO AND ACCEPT PLUGS WHICH CONFORM TO FCC REGULATIONS, PART 68.5.
- 6) JACKS ARE TO BE USED WITH .062(1.57) THICK PRINTED CIRCUIT BOARDS.
- 7) SEE SHEET 3 FOR RECOMMENDED PANEL CUT-OUT AND BOARD LAYOUT DIMENSIONS.
- 8) HOUSING SIZES 4 AND 6 ARE NOT AVAILABLE WITH KEYING OPTION.
- 9) ALL UNTOLERANCED DIMENSIONS ARE SHOWN FOR REFERENCE ONLY.



PEG DETAIL
SCALE: 8:1

SIZE 8 MODULAR JACK HOUSING LOADED WITH 8 TERMINALS IS SHOWN ABOVE

8	2	.600 (15.24)	.200 (5.08)	.050 (1.27)	.450 (11.43)
8	4	.600 (15.24)	.150 (3.81)	.150 (3.81)	.450 (11.43)
8	6	.600 (15.24)	.100 (2.54)	.250 (6.35)	.450 (11.43)
8	8	.600 (15.24)	.050 (1.27)	.350 (8.89)	.450 (11.43)

HOUSING SIZE	CIRCUIT SIZE	DIM. "A"	DIM. "B"	DIM. "C"	DIM. "D"
--------------	--------------	----------	----------	----------	----------

LEAD FREE PLATING EC NO. UCP2004-131 DRAWN: SCHMIDT 2004/02/23 CHKD: SCHMIDT 2004/02/23 APPR: F SMITH 2004/02/26	QUALITY SYMBOLS 0 0	GENERAL TOLERANCES (UNLESS SPECIFIED) 4 PLACES ± --- ± --- 3 PLACES ± --- ± --- 2 PLACES ± --- ± --- 1 PLACE ± --- ± --- ANGULAR ±1/2°	SCALE 4:1 DESIGN UNITS INCH DIMENSION STYLE IN/MM	THIRD ANGLE PROJECTION REVISE ON CAD ONLY
	DRAFT WHERE APPLICABLE MUST REMAIN WITHIN DIMENSIONS	DRAWN BY DATE GLT 1990/05/25	TITLE RIGHT ANGLE FLANGELESS KEYED MODULAR JACK ASSEMBLY	
	APPROVED BY DATE RAS 1990/05/25	CHECKED BY DATE BAP 1990/05/25	MATERIAL NO. MOLEX INCORPORATED DOCUMENT NO. SEE SHEET 2 SDA-42118-*****	
	THIS DRAWING CONTAINS INFORMATION THAT IS PROPRIETARY TO MOLEX INCORPORATED AND SHOULD NOT BE USED WITHOUT WRITTEN PERMISSION			

3	L
2	L
1	L
SH	REV

13	12	11	10	9	8	7	6	5	4	3	2	42118
ENGINEERING PART NUMBER	E.D.P. NUMBER	HOUSING SIZE	CIRCUIT SIZE	PACKAGING								
A-42118-88ABAA	015-43-8501	8	8	TRAY PACK								
A-42118-86ABAA	015-43-8504	8	6	TRAY PACK								
A-42118-84ABAA	015-43-8507	8	4	TRAY PACK								
A-42118-82ABAA	015-43-8510	8	2	TRAY PACK								

SEE SHEET 1 FOR PART DESCRIPTIONS

SEE SHEET ONE EC NO. UCP2004-1931 DRAWN:LSCHMDT 2004/02/23 CHKD:LSCHMDT 2004/02/23 APPR:FSMITH 2004/02/26	QUALITY SYMBOLS	GENERAL TOLERANCES (UNLESS SPECIFIED)	SCALE ---	DESIGN UNITS INCH	THIRD ANGLE PROJECTION	REVISE ON CAD ONLY
	▽.0	mm INCH	IN/MM	DRAWN BY DATE	TITLE	
	▽.0	4 PLACES ± --- ± --- 3 PLACES ± --- ± --- 2 PLACES ± --- ± --- 1 PLACE ± --- ± ---	GLT 1990/05/25	CHECKED BY DATE	RIGHT ANGLE FLANGELESS KEYED MODULAR JACK ASSEMBLY	
	▽.0	ANGULAR ±1/2°	BAP 1990/05/25	APPROVED BY DATE	MOLEX INCORPORATED	
REV	DRAFT WHERE APPLICABLE MUST REMAIN WITHIN DIMENSIONS	RAS 1990/05/25	MATERIAL NO. SEE CHART	DOCUMENT NO. SDA-42118-*****	SHEET NO. 2 OF 3	
THIS DRAWING CONTAINS INFORMATION THAT IS PROPRIETARY TO MOLEX INCORPORATED AND SHOULD NOT BE USED WITHOUT WRITTEN PERMISSION						

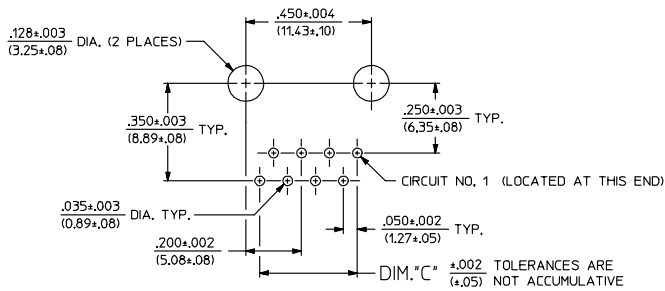
12	11	10	9	8	7	6	5	4	3	2	1
----	----	----	---	---	---	---	---	---	---	---	---

tb_frame_C_P_ME_T
Rev. C 2002/05/05

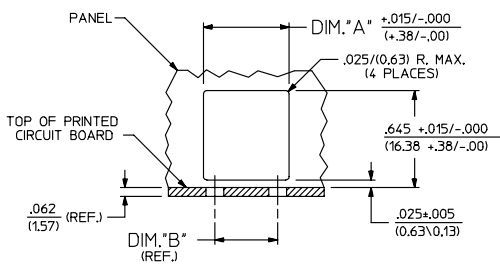
13 12 11 10 9 8 7 6 5 4 3 2 42118

ENGINEERING PART NUMBER	HOUSING SIZE	CIRCUIT SIZE	DIM. "A"	DIM. "B"	DIM. "C"
A-42118-88XXXX	8	8	.615/(15.62)	.450/(11.43)	.350/(8.89)
A-42118-86XXXX	8	6	↑	↑	.250/(6.35)
A-42118-84XXXX	8	4	↑	↑	.150/(3.81)
A-42118-82XXXX	8	2	.615/(15.62)	.450/(11.43)	.050/(1.27)

NOTES:
 1) RECOMMENDED BOARD LAYOUTS ARE SHOWN AS COMPONENT SIDE OF BOARD.
 2) HOUSING SIZES 4 AND 6 ARE NOT AVAILABLE WITH KEYING OPTION.



PC BOARD LAYOUT FOR HOUSING SIZE 8



PANEL CUT-OUT GUIDELINES

DIM. "A" MUST BE SYMMETRICAL TO DIM. "B" WITHIN .005/(0.13)

SEE SHEET ONE	QUALITY SYMBOLS	GENERAL TOLERANCES (UNLESS SPECIFIED)		SCALE 4:1	DESIGN UNITS INCH	THIRD ANGLE PROJECTION	REVISE ON CAD ONLY
		mm	INCH	DIMENSION STYLE IN/MM		TITLE PANEL/BOARD LAYOUTS FOR RIGHT ANGLE FLANGELESS MODULAR JACK ASSEMBLIES	
REV	DESCRIPTION	4 PLACES ± .005	± .005	DRAWN BY	DATE 1990/05/25	MATERIAL NO. MOLEX INCORPORATED	
		3 PLACES ± .005	± .005	GLT	DATE 1990/05/25	DOCUMENT NO. SDA-42118-*****	SHEET NO. 3 OF 3
		2 PLACES ± .005	± .005	CHECKED BY	DATE 1990/05/25	THIS DRAWING CONTAINS INFORMATION THAT IS PROPRIETARY TO MOLEX INCORPORATED AND SHOULD NOT BE USED WITHOUT WRITTEN PERMISSION	
		1 PLACE ± .005	± .005	BAP	DATE 1990/05/25		
		ANGULAR ±1/2°		APPROVED BY	DATE 1990/05/25		
		DRAFT WHERE APPLICABLE MUST REMAIN WITHIN DIMENSIONS		RAS	DATE 1990/05/25		

tb_frame_C_P_ME_T Rev. C 2002/05/05 12 11 10 9 8 7 6 5 4 3 2 1