

FEATURES AND SPECIFICATIONS

Features and Benefits

- Sizes 2 to 25 circuits
- Positive latch locks connector to header or panel mount
- Piercing crimp provides 3 high-pressure interfaces with the conductor
- Terminals preloaded into housing

Reference Information

Product Specification: PS-40556

Packaging: Tube

Tooling Information: See end of section

UL File No.: E29179

CSA File No.: LR19980

Mates With: C-Grid® locking headers and panel mounts

Designed In: Inches

Electrical

Voltage: 250V

Current: 2.0A (for Copper conductors)

Contact Resistance: 10mΩ max.

Dielectric Withstanding Voltage: 1500V

Insulation Resistance: 1000 MΩ min.

Mechanical

Contact Retention to Housing: 13.34N (3 lb) min.

Mating Force: 2.22N (.50 lb) max.

Unmating Force: 0.28N (.06 lb) min.

Wire Pull-Out Force: 26.69N (6 lb)

Durability: Tin/Lead—25 cycles max.

Gold—50 cycles max.

Physical

Housing: Polyester, UL 94V-0

Contact: Phosphor Bronze

Plating: See Table

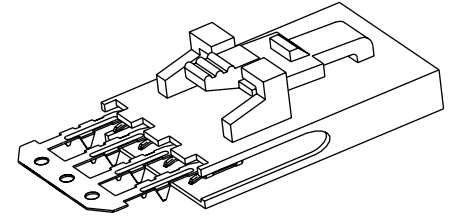
Operating Temperature: -40 to +105°C

molex® 2.54mm (.100") Pitch
SL™

FFC/FPC Connector

70430

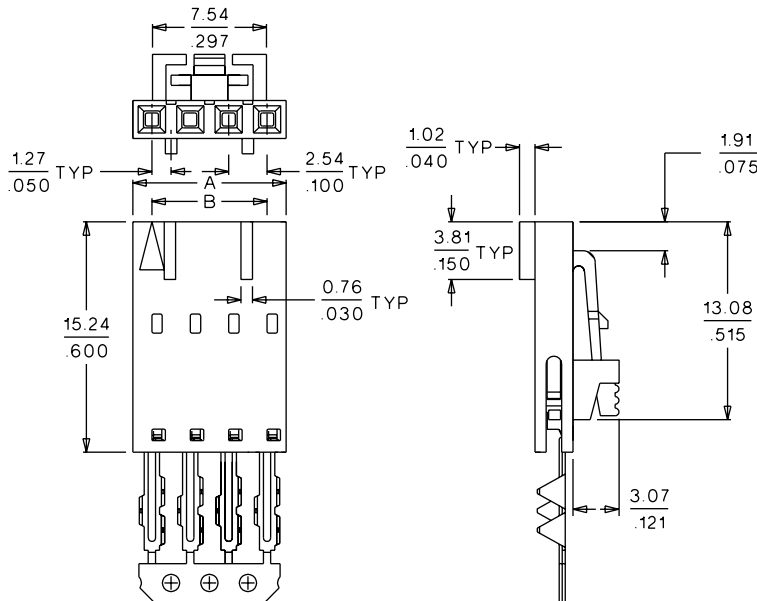
**Single Row, Female
Version G**



FFC/FPC Connectors

G

CATALOG DRAWING (FOR REFERENCE ONLY)

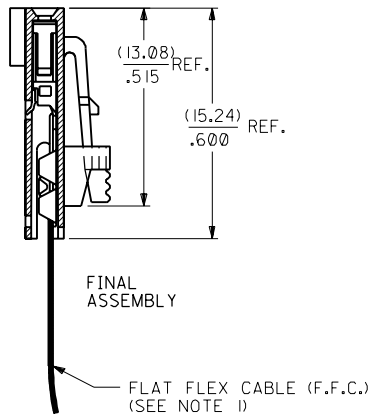
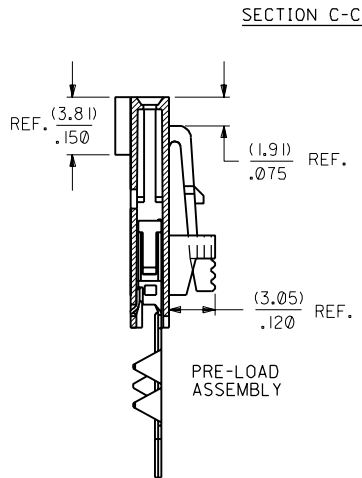
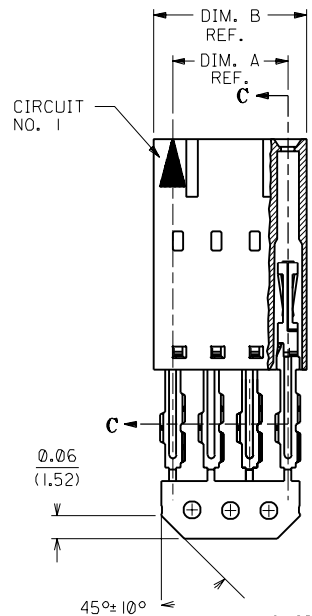
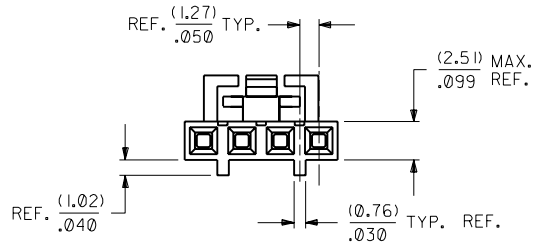


ORDERING INFORMATION AND DIMENSIONS

Circuits	Order No.			Dimension	
	15μ" Gold	30μ" Gold	150μ" Tin/Lead	A	B
2	15-47-4023	15-47-4027	15-38-8020	5.05 (.199)	2.54 (.100)
3	15-47-4033	15-47-4037	15-38-8030	7.59 (.299)	5.08 (.200)
4	15-47-4043	15-47-4047	15-38-8040	10.13 (.399)	7.62 (.300)
5	15-47-4053	15-47-4057	15-38-8050	12.67 (.499)	10.16 (.400)
6	15-47-4063	15-47-4067	15-38-8060	15.21 (.599)	12.70 (.500)
7	15-47-4073	15-47-4077	15-38-8070	17.75 (.699)	15.24 (.600)
8	15-47-4083	15-47-4087	15-38-8080	20.29 (.799)	17.78 (.700)
9	15-47-4093	15-47-4097	15-38-8090	22.83 (.899)	20.32 (.800)
10	15-47-4103	15-47-4107	15-38-8100	25.37 (.999)	22.86 (.900)
11	15-47-4113	15-47-4117	15-38-8110	27.91 (1.099)	25.40 (1.000)
12	15-47-4123	15-47-4127	15-38-8120	30.45 (1.199)	27.94 (1.100)
13	15-47-4133	15-47-4137	15-38-8130	32.99 (1.299)	30.48 (1.200)

Circuits	Order No.			Dimension	
	15μ" Gold	30μ" Gold	150μ" Tin/Lead	A	B
14	15-47-4143	15-47-4147	15-38-8140	35.53 (1.399)	33.02 (1.300)
15	15-47-4153	15-47-4157	15-38-8150	38.07 (1.499)	35.56 (1.400)
16	15-47-4163	15-47-4167	15-38-8160	40.61 (1.599)	38.10 (1.500)
17	15-47-4173	15-47-4177	15-38-8170	43.15 (1.699)	40.64 (1.600)
18	15-47-4183	15-47-4187	15-38-8180	45.69 (1.799)	43.18 (1.700)
19	15-47-4193	15-47-4197	15-38-8190	48.23 (1.899)	45.72 (1.800)
20	15-47-4203	15-47-4207	15-38-8200	50.77 (1.999)	48.26 (1.900)
21	15-47-4213	15-47-4217	15-38-8210	53.31 (2.099)	50.80 (2.000)
22	15-47-4223	15-47-4227	15-38-8220	55.85 (2.199)	53.34 (2.100)
23	15-47-4233	15-47-4237	15-38-8230	58.39 (2.299)	55.88 (2.200)
24	15-47-4243	15-47-4247	15-38-8240	60.93 (2.399)	58.42 (2.300)
25	15-47-4253	15-47-4257	15-38-8250	63.47 (2.499)	60.96 (2.400)

"G" - OPTION



HOUSING MATERIAL : G.F. POLYESTER, 94V-0
CONTACT MATERIAL : PHOSPHOR BRONZE

PLATING PER E.S. -88-***

574 - .000030 MIN. GOLD PLATE IN SELECT AREA,
.000075 MIN. TIN/LEAD PLATE IN SELECT AREA,
.000050 MIN. NICKEL PLATE OVER-ALL.

NOTES:

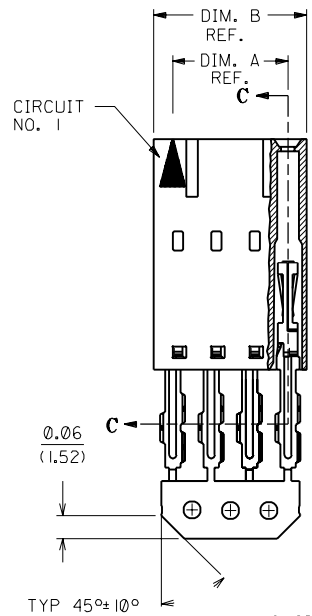
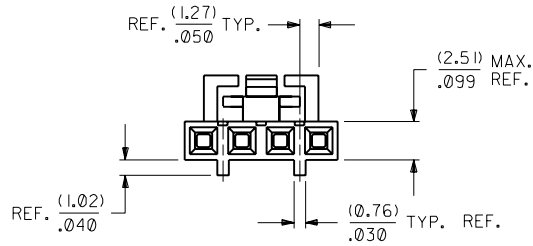
- 1) PRE LOADED ASSEMBLY TO BE USED WITH (0.30)/.012 MAX. THICK FLAT FLEX CABLE WITH (1.57)/.062 WIDE COPPER CONDUCTORS ON (2.54)/.100 CENTERS OR, (0.13)/.005 - (0.28)/.011 THICK MYLAR WITH (1.02)/.040 - (1.65)/.065 WIDE SILVER INK CONDUCTORS ON (2.54)/.100 CENTERS.
- 2) STANDARD PACKING PER PK70873-0001 SHALL BE USED.
- 3) SEE CHART FOR CIRCUIT SIZES, "A" AND "B" DIMENSIONS.
- 4) TWO (2) CIRCUIT ASSEMBLIES SUPPLIED AS GROUPED PAIRS.
- 5) PART MATES WITH (0.64)/.025 SQ. PINS, (8.13)/.320 TO (5.08)/.200 LONG ON (2.54)/.100 CENTERS.
- 6) REFER TO SDA-70430-**** (SHEET 3) FOR MINOR VARIATIONS TO "C" OPTION HOUSINGS.

PLATING PER ES-88:	COLOR CODE
164	NONE
571	YELLOW
574	RED

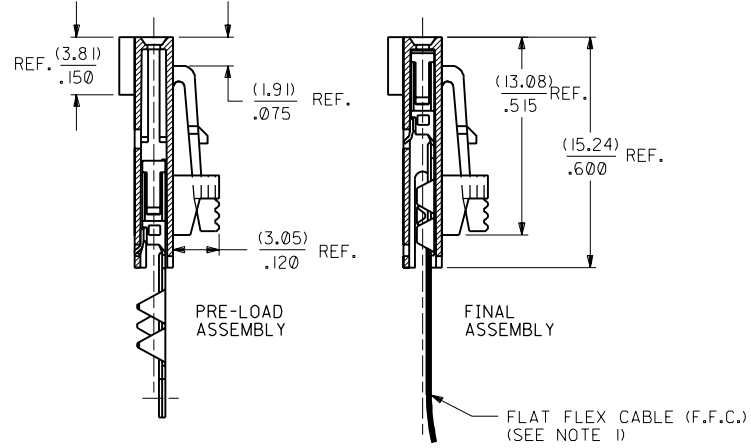
CKT. SIZE	EDP. NO.	ENG. NO.	A	B
2	015-47-4027	70430-0491	(2.54) .100	(5.05) .199
3	015-47-4037	70430-0492	(5.08) .200	(7.59) .299
4	015-47-4047	70430-0493	(7.62) .300	(10.13) .399
5	015-47-4057	70430-0494	(10.16) .400	(12.67) .499
6	015-47-4067	70430-0495	(12.70) .500	(15.21) .599
7	015-47-4077	70430-0496	(15.24) .600	(17.75) .699
8	015-47-4087	70430-0497	(17.78) .700	(20.29) .799
9	015-47-4097	70430-0498	(20.32) .800	(22.83) .899
10	015-47-4107	70430-0499	(22.86) .900	(25.37) .999
11	015-47-4117	70430-0500	(25.40) 1.000	(27.91) 1.099
12	015-47-4127	70430-0501	(27.94) 1.100	(30.45) 1.199
13	015-47-4137	70430-0502	(30.48) 1.200	(32.99) 1.299
14	015-47-4147	70430-0503	(33.02) 1.300	(35.53) 1.399
15	015-47-4157	70430-0504	(35.56) 1.400	(38.07) 1.499
16	015-47-4167	70430-0505	(38.10) 1.500	(40.61) 1.599
17	015-47-4177	70430-0506	(40.64) 1.600	(43.15) 1.699
18	015-47-4187	70430-0507	(43.18) 1.700	(45.69) 1.799
19	015-47-4197	70430-0508	(45.72) 1.800	(48.23) 1.899
20	015-47-4207	70430-0509	(48.26) 1.900	(50.77) 1.999
21	015-47-4217	70430-0510	(50.80) 2.000	(53.31) 2.099
22	015-47-4227	70430-0511	(53.34) 2.100	(55.85) 2.199
23	015-47-4237	70430-0512	(55.88) 2.200	(58.39) 2.299
24	015-47-4247	70430-0513	(58.42) 2.300	(60.93) 2.399
25	015-47-4257	70430-0514	(60.96) 2.400	(63.47) 2.499

C3		ADD CARRIER CHAMF ECN *UDT1998-0280 05/20/98 LMCGRATH	C	REVISED PER ECN* U90726 7-10-89 MCB	DIMENSIONS SHOWN (METRIC) INCH UNLESS OTHERWISE SPECIFIED TOLERANCES: ANGULAR ± 1/2° INCH METRIC 3 PLACE ± ± 2 PLACE ± ± 1 PLACE ± ± DRAFT WHERE APPLICABLE MUST REMAIN WITHIN DIMENSIONS DRWG. NO. SDA-70430-0491-0514 FILE NAME 704300491.DGN APP'D. BY WAZ SCALE 4:1 CH'K'D. BY MJM DATE 9/15/86 RAS MJM	TITLE ASSEMBLY, CONNECTOR F.F.C. FEMALE SINGLE ROW (2.54)/.100 GRID MFG. SH. REV. 7/21/86 MOLEX INCORPORATED SHEET NO. 1 DATE 7/21/86 U.S.A. THIS DRAWING CONTAINS INFORMATION THAT IS PROPRIETARY TO MOLEX INC. AND SHOULD NOT BE USED WITHOUT WRITTEN PERMISSION.
C2		REVISED PER ECR *U40643 05-20-94 WCM	B	REDRAWN ON CAD PER ECR *9479 9/15/86 RAS MJM		
LTR.	REVISIONS	LTR.	REVISIONS	LTR.	REVISIONS	

"G" - OPTION



SECTION C-C



HOUSING MATERIAL : G.F. POLYESTER, 94V-0
 CONTACT MATERIAL : PHOSPHOR BRONZE
 PLATING PER E.S. -88-***
 571 - .000015 MIN. GOLD PLATE IN SELECT AREA,
 .000075 MIN. TIN/LEAD PLATE IN SELECT AREA,
 .000050 MIN. NICKEL PLATE OVERALL.

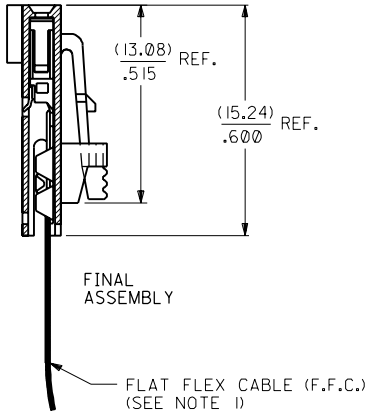
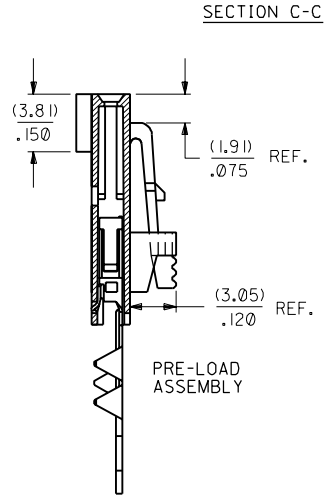
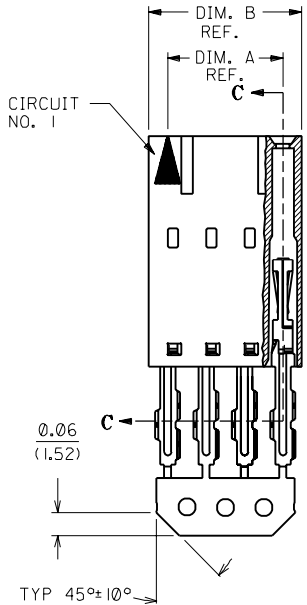
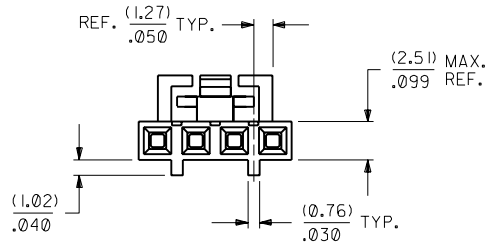
- NOTES:
- 1) PRE LOADED ASSEMBLY TO BE USED WITH (0.30)/.012 MAX. THICK FLAT FLEX CABLE WITH (1.57)/.062 WIDE COPPER CONDUCTORS ON (2.54)/.100 CENTERS OR, (0.13)/.005 - (0.28)/.011 THICK MYLAR WITH (1.02)/.040 - (1.65)/.065 WIDE SILVER INK CONDUCTORS ON (2.54)/.100 CENTERS.
 - 2) STANDARD PACKING PER PK70873-0001 SHALL BE USED.
 - 3) SEE CHART FOR CIRCUIT SIZES, "A" AND "B" DIMENSIONS.
 - 4) TWO (2) CIRCUIT ASSEMBLIES SUPPLIED AS GROUPED PAIRS.
 - 5) PART MATES WITH (0.64)/.025 SQ. PINS, (8.13)/.320 TO (5.08)/.200 LONG ON (2.54)/.100 CENTERS.
 - 6) REFER TO SDA-70430-**** (SHEET 3) FOR MINOR VARIATIONS TO "G" OPTION HOUSINGS.

PLATING PER ES-88:	COLOR CODE
164	NONE
571	YELLOW
574	RED

CKT. SIZE	EDP. NO.	ENG. NO.	A	B
2	015-47-4023	70430-0316	(2.54) .100	(5.05) .199
3	015-47-4033	70430-0317	(5.08) .200	(7.59) .299
4	015-47-4043	70430-0318	(7.62) .300	(10.13) .399
5	015-47-4053	70430-0319	(10.16) .400	(12.67) .499
6	015-47-4063	70430-0320	(12.70) .500	(15.21) .599
7	015-47-4073	70430-0321	(15.24) .600	(17.75) .699
8	015-47-4083	70430-0322	(17.78) .700	(20.29) .799
9	015-47-4093	70430-0323	(20.32) .800	(22.83) .899
10	015-47-4103	70430-0324	(22.86) .900	(25.37) .999
11	015-47-4113	70430-0325	(25.40) 1.000	(27.91) 1.099
12	015-47-4123	70430-0326	(27.94) 1.100	(30.45) 1.199
13	015-47-4133	70430-0327	(30.48) 1.200	(32.99) 1.299
14	015-47-4143	70430-0328	(33.02) 1.300	(35.53) 1.399
15	015-47-4153	70430-0329	(35.56) 1.400	(38.07) 1.499
16	015-47-4163	70430-0330	(38.10) 1.500	(40.61) 1.599
17	015-47-4173	70430-0331	(40.64) 1.600	(43.15) 1.699
18	015-47-4183	70430-0332	(43.18) 1.700	(45.69) 1.799
19	015-47-4193	70430-0333	(45.72) 1.800	(48.23) 1.899
20	015-47-4203	70430-0334	(48.26) 1.900	(50.77) 1.999
21	015-47-4213	70430-0335	(50.80) 2.000	(53.31) 2.099
22	015-47-4223	70430-0336	(53.34) 2.100	(55.85) 2.199
23	015-47-4233	70430-0337	(55.88) 2.200	(58.39) 2.299
24	015-47-4243	70430-0338	(58.42) 2.300	(60.93) 2.399
25	015-47-4253	70430-0339	(60.96) 2.400	(63.47) 2.499

DIMENSIONS SHOWN (METRIC) INCH UNLESS OTHERWISE SPECIFIED TOLERANCES: ANGULAR ± 1/2°		REVISIONS C3 ADD CARRIER CHAMF ECN *UDT1998-0280 05/20/98 LMCGRATH C2 REVISED PER ECR *U40643 05-20-94 WGM LTR. REVISIONS		ADDITIONAL INFO C1 ADDED EDP NUMBERS PER ECR NO U20028 01-09-92 BJS C REVISOR PER ECR *U90726 7-10-89 MGB B REDRAWN ON CAD PER ECR *9479 9/15/86 RAS/MJM LTR. REVISIONS		DRAFT WHERE APPLICABLE MUST REMAIN WITHIN DIMENSIONS DRWG. NO. SDA-70430-0316-0339 FILE NAME 704300316.DGN APP'D. BY WAZ SCALE 4:1		MFG. SH. REV. REVISE ONLY ON CAD SYSTEM TITLE ASSEMBLY, CONNECTOR F.F.C. FEMALE SINGLE ROW (2.54)/.100 GRID MOLEX INCORPORATED SHEET NO. 1 DATE 7/21/86 PART NO. 70430-0316-0339 DRWG. NO. SDA-70430-0316-0339 THIS DRAWING CONTAINS INFORMATION THAT IS PROPRIETARY TO MOLEX INC. AND SHOULD NOT BE USED WITHOUT WRITTEN PERMISSION.	
--	--	--	--	---	--	---	--	---	--

"G" - OPTION



HOUSING MATERIAL : G.F. POLYESTER, 94V-0
 CONTACT MATERIAL : PHOSPHOR BRONZE
 PLATING PER E.S. -88-***
 164 - .000150 MIN. TIN/LEAD OVER
 .000050 MIN. NICKEL PLATE.

- NOTES:
- 1) PRE LOADED ASSEMBLY TO BE USED WITH (0.30)/.012 MAX. THICK FLAT FLEX CABLE WITH (1.57)/.062 WIDE COPPER CONDUCTORS ON (2.54)/.100 CENTERS OR, (0.13)/.005 - (0.28)/.011 THICK MYLAR WITH (1.02)/.040 - (1.65)/.065 WIDE SILVER INK CONDUCTORS ON (2.54)/.100 CENTERS.
 - 2) STANDARD PACKING PER PK70873-0001 SHALL BE USED.
 - 3) SEE CHART FOR CIRCUIT SIZES, "A" AND "B" DIMENSIONS.
 - 4) TWO (2) CIRCUIT ASSEMBLIES SUPPLIED AS GROUPED PAIRS.
 - 5) PART MATES WITH (0.64)/.025 SQ. PINS, (8.13)/.320 TO (5.08)/.200 LONG ON (2.54)/.100 CENTERS.
 - 6) REFER TO SDA-70430-**** (SHEET 3) FOR MINOR VARIATIONS TO "G" OPTION HOUSINGS.

PLATING PER ES-88:	COLOR CODE
164	NONE
571	YELLOW
574	RED

CKT. SIZE	EDP. NO.	ENG. NO.	A	B
2	015-38-8020	70430-0141	(2.54) / .100	(5.05) / .199
3	015-38-8030	70430-0142	(5.08) / .200	(7.59) / .299
4	015-38-8040	70430-0143	(7.62) / .300	(10.13) / .399
5	015-38-8050	70430-0144	(10.16) / .400	(12.67) / .499
6	015-38-8060	70430-0145	(12.70) / .500	(15.21) / .599
7	015-38-8070	70430-0146	(15.24) / .600	(17.75) / .699
8	015-38-8080	70430-0147	(17.78) / .700	(20.29) / .799
9	015-38-8090	70430-0148	(20.32) / .800	(22.83) / .899
10	015-38-8100	70430-0149	(22.86) / .900	(25.37) / .999
11	015-38-8110	70430-0150	(25.40) / 1.000	(27.91) / 1.099
12	015-38-8120	70430-0151	(27.94) / 1.100	(30.45) / 1.199
13	015-38-8130	70430-0152	(30.48) / 1.200	(32.99) / 1.299
14	015-38-8140	70430-0153	(33.02) / 1.300	(35.53) / 1.399
15	015-38-8150	70430-0154	(35.56) / 1.400	(38.07) / 1.499
16	015-38-8160	70430-0155	(38.10) / 1.500	(40.61) / 1.599
17	015-38-8170	70430-0156	(40.64) / 1.600	(43.15) / 1.699
18	015-38-8180	70430-0157	(43.18) / 1.700	(45.69) / 1.799
19	015-38-8190	70430-0158	(45.72) / 1.800	(48.23) / 1.899
20	015-38-8200	70430-0159	(48.26) / 1.900	(50.77) / 1.999
21	015-38-8210	70430-0160	(50.80) / 2.000	(53.31) / 2.099
22	015-38-8220	70430-0161	(53.34) / 2.100	(55.85) / 2.199
23	015-38-8230	70430-0162	(55.88) / 2.200	(58.39) / 2.299
24	015-38-8240	70430-0163	(58.42) / 2.300	(60.93) / 2.399
25	015-38-8250	70430-0164	(60.96) / 2.400	(63.47) / 2.499

D PRINT CORRECTIONS ECN *LDT2001-1260 01/05/15 BSMART		C1	ADDED EDP NUMBERS PER ECR NO U20028 01-09-92 BJS	DIMENSIONS SHOWN (METRIC) INCH UNLESS OTHERWISE SPECIFIED TOLERANCES: ANGULAR ± 1/2°		▽ = 0 ▼ = 0 REVISE ONLY ON CAD SYSTEM	
C3	ADD CARRIER CHAMF ECN *LDT1998-0280 05/20/98 LMCGRATH	C	REVISED PER ECN* U90726 7-10-89 MCB	5 PLACE ±	INCH	METRIC	TITLE ASSEMBLY, CONNECTOR F.F.C. FEMALE SINGLE ROW (2.54)/.100 GRID
C2	REVISED PER ECR *U40643 05-20-94 WGM	B	REDRAWN ON CAD PER ECR *9479 9/15/86 RAS/MJM	2 PLACE ±	±	±	MOLEX INCORPORATED SHEET NO. 1 DATE 7/21/86 U.S.A.
LTR.	REVISIONS	LTR.	REVISIONS	DRAFT WHERE APPLICABLE MUST REMAIN WITHIN DIMENSIONS		PART NO. DRWG. NO. SDA-70430-0141-0164	
				DRWG. BY RAS	CHK'D. BY MJM	FILE NAME 704300141.DGN	THIS DRAWING CONTAINS INFORMATION THAT IS PROPRIETARY TO MOLEX INC. AND SHOULD NOT BE USED WITHOUT WRITTEN PERMISSION.
				APP'D. BY WAZ	SCALE 4:1	DA	SIZE C

70430

MFG, SH, REV.

REVISIONS

NO PS