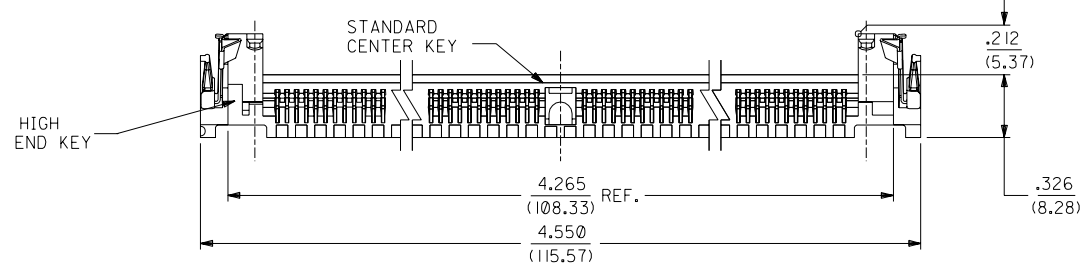
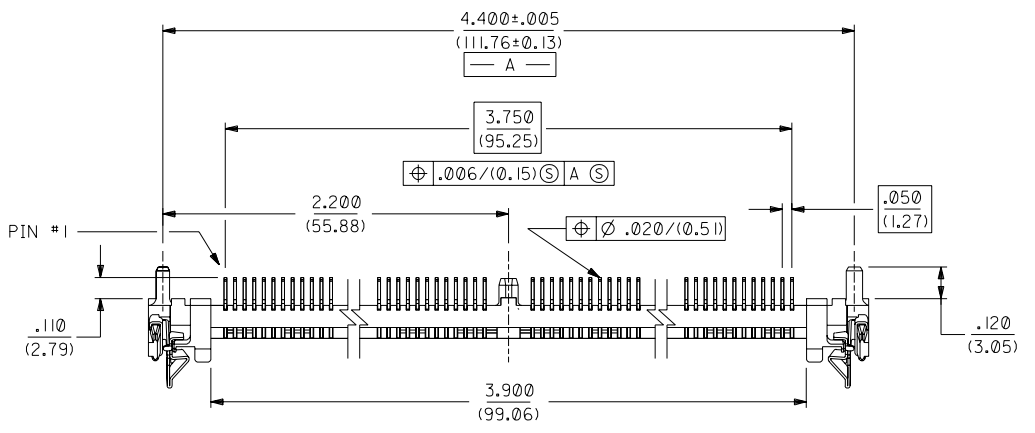


"SIMM" P.C. BOARD LAYOUT



- NOTES:
- CARD SLOT ACCEPTS P.C. BOARDS $.050 +.004 / -.003$ THICK, MEASURED OVER CONTACT PADS. (1.27 +0.10 / -0.08)
 - PRODUCT SPEC PS-78954 APPLIES.
 - LOCATION OF LOWER CORNER OF MODULE BOARD.
 - CENTER PEG IS AN INTERFERENCE FIT TO RECOMMENDED P.C. BOARD HOLE.

MATERIALS:

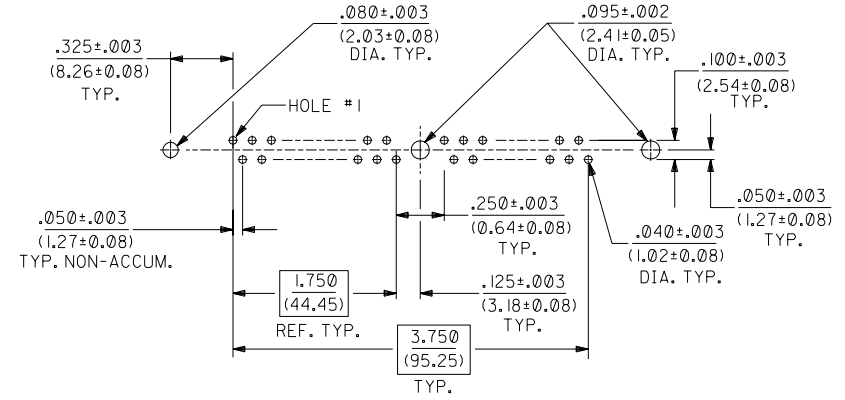
HOUSING: LCP, GLASS FILLED, 94V-0. COLOR: BLACK.

LATCH: STAINLESS STEEL.

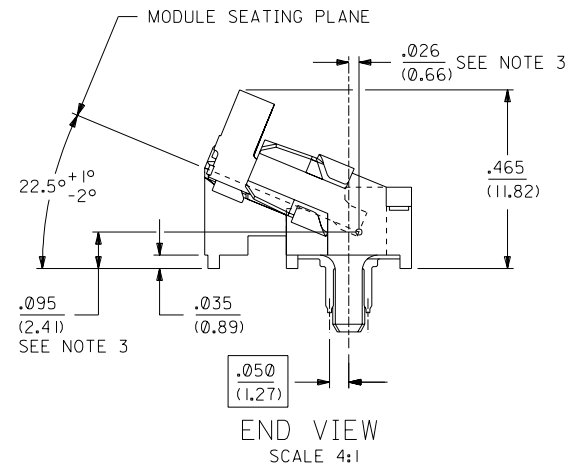
TERMINAL: PHOSPHOR BRONZE, POST PLATED

30μIN./(.76μm) MIN. GOLD IN CONTACT AREA AND 150μIN./(.381μm) MIN. TIN IN TAIL AREA OVER 75μIN./(.191μm) MIN. NICKEL OVERALL.

*THE PRIMARY SHIPPING CARTON WILL BE LABELED "COMPLIANT TO RoHS DIRECTIVE 2002/95/EC AND ELV ANNEX II OF DIRECTIVE 2000/53/EC". CARTONS WITHOUT THIS LABEL MAY CONTAIN PRODUCT WITH LEAD.



RECOMMENDED SOCKET P.C. BOARD HOLE PATTERN



L	LEAD FREE UCP2004-1582 RWHITE 04/02/25
K	REVISED PER ECN #U51394 GMY 7-24-95
J	REVISED PEG LENGTH PER ECN #U30751 MJS 6-8-93
I	REMOVED TRACKING TOES PER ECN #U20914 PDB 06-17-92
H	REVISED NOTES PER ECN #U11964 PDB 10-03-91
G	CORRECT HOLE PATTERN PER ECN #U11922 PDB 09-25-91
F	REVISED MASTER PER ECN #U11822 PDB 09-04-91
E	.150 WAS .120 PER ECN #U10303 PDB 01-22-91
D	REVISED PER ECN #U100846 PDB 10-25-90
C	REVISED PER ECN #U100620 PDB 08-24-90
B	REVISED PER ECN #U100635 PDB 08-20-90
A	RELEASE TO MFG. PER ERO #30233 PDB 08-07-90

DIMENSIONS SHOWN (METRIC) INCH		▽ = 0		= 0		REVISE ONLY ON CAD SYSTEM	
UNLESS OTHERWISE SPECIFIED TOLERANCES: ANGULAR ± 1/2°							
3 PLACE	± .010	---	---				
2 PLACE	± .014	± 0.25	---				
1 PLACE	---	± 0.35	---				
DRAFT WHERE APPLICABLE MUST REMAIN WITHIN DIMENSIONS							
DRWG. BY	PDB	CHK'D. BY		FILE NAME	578964-18	SHEET NO.	1 OF 1
APP'D. BY		SCALE	2:1	DATE	08/07/90	U.S.A.	
				THIS DRAWING CONTAINS INFORMATION THAT IS PROPRIETARY TO MOLEX INC. AND SHOULD NOT BE USED WITHOUT WRITTEN PERMISSION		DIV. SIZE	

SALES ASSEMBLY
22.5° METAL LATCH HIGH KEY
SINGLE ROW SIMM SOCKET

MOLEX INCORPORATED

15-82-0675 SDA-78964-7232

Mouser Electronics

Authorized Distributor

Click to View Pricing, Inventory, Delivery & Lifecycle Information:

[Molex:](#)

[15-82-0675](#)