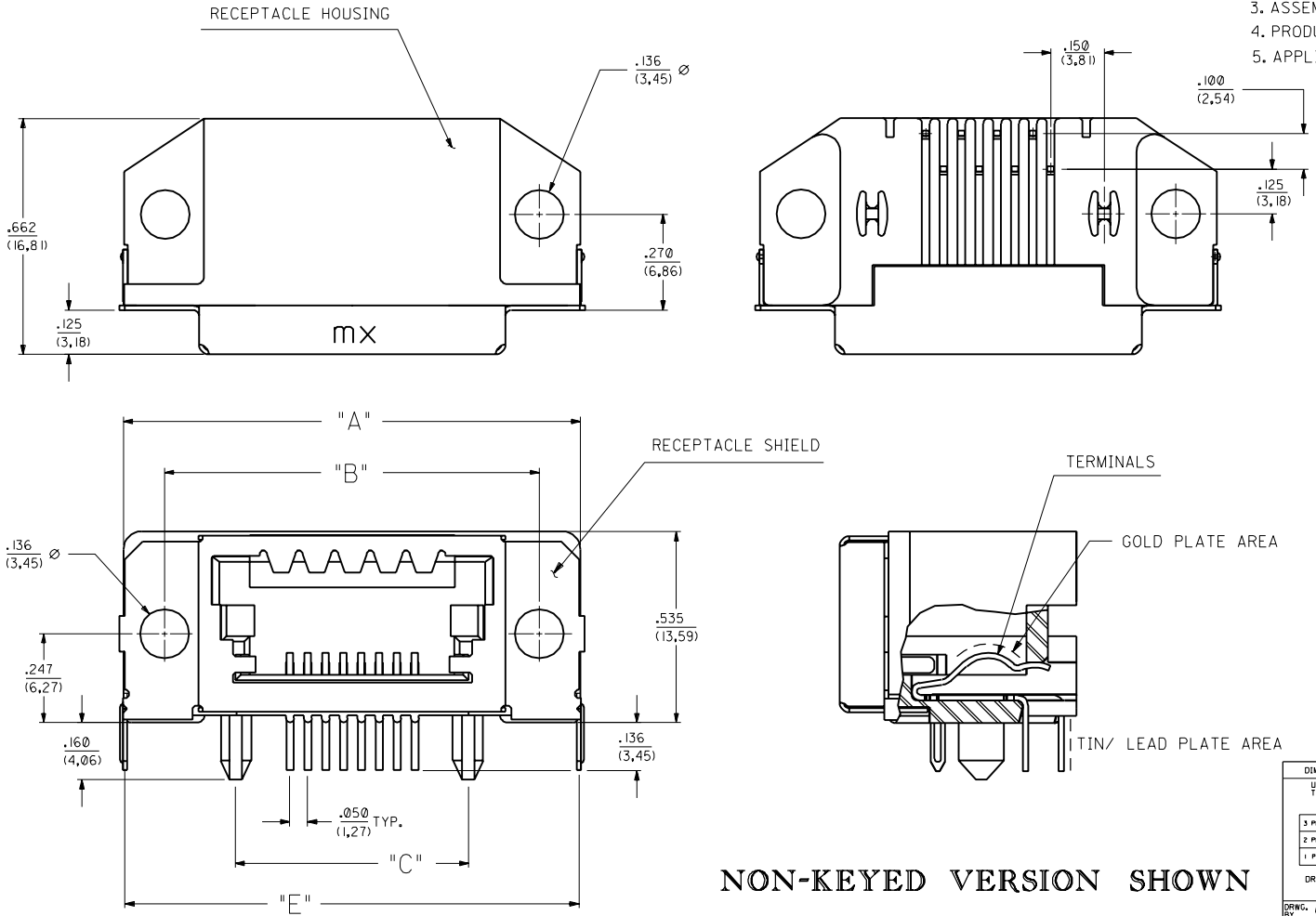


13	12	11	10	9	8	7	6	5	4	3	2	1						
NON-KEYED VERSION A-71355-30**				KEYING OPTION "1" A-71355-31**		KEYING OPTION "2" A-71355-32**		71355										
E.D.P. NUMBER		ENG. NUMBER		E.D.P. NUMBER		ENG. NUMBER		CKT.	DIM. "A"		DIM. "B"		DIM. "C"		DIM. "D"		DIM. "E"	
								SIZE	MM	IN.	MM	IN.	MM	IN.	MM	IN.	MM	IN.
Ø15-83-0304		A-71355-3004		Ø15-83-0334		A-71355-3104		4	27,30	1,075	21,59	.850	11,43	.450	3,81	.150	27,25	1,073
Ø15-83-0306		A-71355-3006		Ø15-83-0336		A-71355-3106		6	29,84	1,175	24,13	.950	13,97	.550	6,35	.250	29,79	1,173
Ø15-83-0308		A-71355-3008		Ø15-83-0338		A-71355-3108		8	32,38	1,275	26,67	1,050	16,51	.650	8,89	.350	32,33	1,273
Ø15-83-0316		A-71355-3016		Ø15-83-0346		A-71355-3116		16	42,54	1,675	36,83	1,450	26,67	1,050	19,05	.750	42,49	1,673

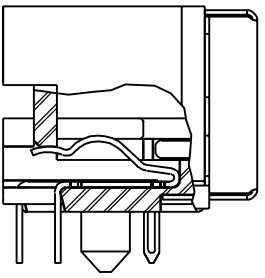
- NOTES: 1. FOR ILLUSTRATION PURPOSES AN 8 CIRCUIT ASSEMBLY IS SHOWN.
2. MATERIAL:
HOUSING: GLASS FILLED LIQUID CRYSTAL POLYMER (LCP), UL94 V-0, COLOR: BLACK.
SHIELD: BRASS WITH (2.54 MICROMETER)/100 MICROINCH MINIMUM BRIGHT TIN OVER NICKEL.
CONTACTS: PHOSPHOR BRONZE
SELECTIVE GOLD (Au) IN THE CONTACT AREA:
THICKNESS=(1.27 MICROMETER)/50 MICROINCH MINIMUM;
SELECTIVE TIN-LEAD (Sn-Pb) ALLOY IN THE PC TAIL AREA:
THICKNESS=(2.54 MICROMETER)/100 MICROINCH MINIMUM;
NICKEL (Ni) UNDERPLATE OVER SPEC PIN.
3. ASSEMBLIES ARE PACKAGED PER SPEC PK-70873-0008.
4. PRODUCT SPEC IS PS-71350-A.
5. APPLICATION SPEC IS AS-71355.



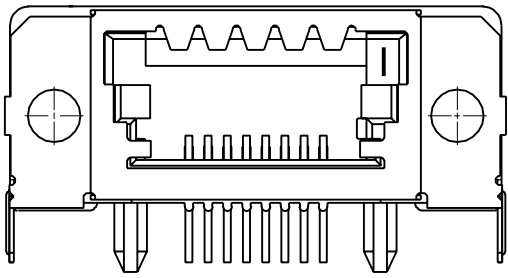
NON-KEYED VERSION SHOWN

HI	CHANGE NOTE 5 PER UDT2002-0476 ICARIKCI 01/09/25
H	FIX SHLD TAB DIMS ECN UDT2000-0921 BARKER 00/03/29
G	ADD BEAD TO SHLD 0068 11/19/92 JANOTA
F	REVISED NOTES PER ECR #UB1804 8/23/88 BIXLER
E	REVISED DIM A&E PER ECR # 10566 10/26/87 CB/JL
D	REVISED KEYING PER ECR # 10145 06/04/87 CAB
C	REMOVED MTG. FLANGE CORE PER ECR # 9314 07/29/86 J.LONG
B	REVISED PER ECR # 9274 07/10/86 J.LONG
A	ADDED EDP NO.5 PER ECR # 22328 06/16/86 J.LONG
	UPDATE & ADD CIRCUIT PER ECR # 20876 02/25/85 C.BIXLER

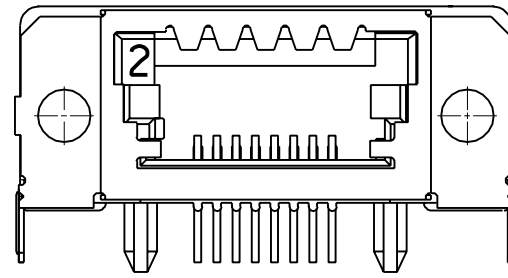
DIMENSIONS SHOWN (METRIC) INCH UNLESS OTHERWISE SPECIFIED TOLERANCES ANGULAR ± 1/2°		REVISION ONLY ON CAD SYSTEM																							
<table border="1"> <tr><th colspan="2">INCH</th><th colspan="2">METRIC</th></tr> <tr><td>3 PLACE</td><td>± .010</td><td>---</td><td>---</td></tr> <tr><td>2 PLACE</td><td>± .014</td><td>± 0,25</td><td>---</td></tr> <tr><td>1 PLACE</td><td>---</td><td>± 0,36</td><td>---</td></tr> </table>		INCH		METRIC		3 PLACE	± .010	---	---	2 PLACE	± .014	± 0,25	---	1 PLACE	---	± 0,36	---	<table border="1"> <tr><td>2</td><td>H</td></tr> <tr><td>1</td><td>HI</td></tr> <tr><td>2</td><td>LTR</td></tr> </table>		2	H	1	HI	2	LTR
INCH		METRIC																							
3 PLACE	± .010	---	---																						
2 PLACE	± .014	± 0,25	---																						
1 PLACE	---	± 0,36	---																						
2	H																								
1	HI																								
2	LTR																								
DRAFT WHERE APPLICABLE MUST REMAIN WITHIN DIMENSIONS		TITLE: SALES ASSEMBLY SEMCONN SHIELDED RECEPTACLE WITH PCB GROUND TABS																							
PART NO. SDA-71355-3000		SHEET NO. 1 OF 2																							
MOLEX INCORPORATED U.S.A.		DATE 02/11/85																							
DRAWING NO. SDA-71355-3000		DRAWING NO. SDA-71355-3000																							
BY: J. Long		DIV. SDA-71355-3000																							
CHK'D BY: BIXLER		SCALE 4:1																							
APPR'D BY: IT		THIS DRAWING CONTAINS INFORMATION THAT IS PROPRIETARY TO MOLEX INC. AND SHOULD NOT BE USED WITHOUT WRITTEN PERMISSION.																							



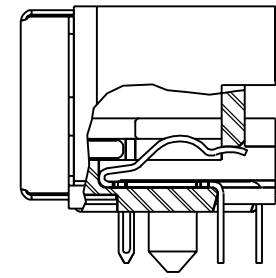
KEYING OPTION "1"



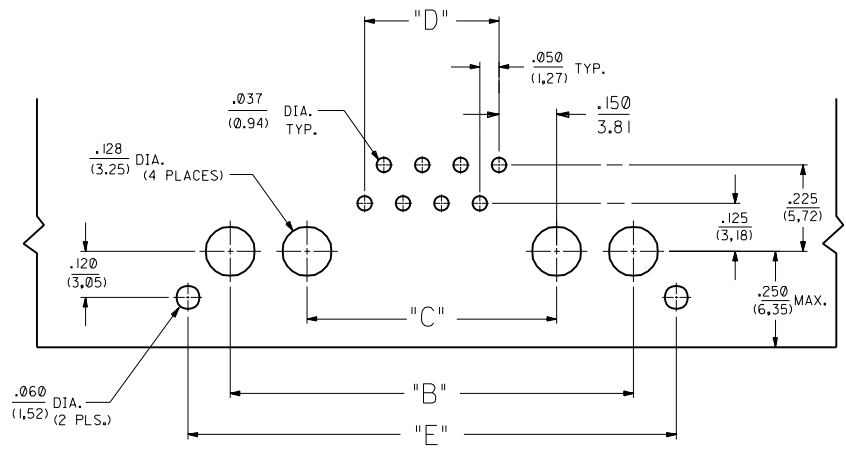
A-71355-31**



KEYING OPTION "2"



A-71355-32**



RECOMMENDED P.C.B. LAYOUT
RECEPTACLE SIDE SHOWN

H	SEE SHEET I
G	SEE SHEET I
F	SEE SHEET I
D	SEE SHEET I
C	SEE SHEET I
B	SEE SHEET I
A	SEE SHEET I
2	SEE SHEET I

DIMENSIONS SHOWN (METRIC) INCH		▽ = 0		▼ = 0		REVISE ONLY ON CAD SYSTEM	
UNLESS OTHERWISE SPECIFIED TOLERANCES ANGULAR ± 1/2°		TITLE		SALES ASSEMBLY SEMCONN SHIELDED RECEPTACLE WITH PCB GROUND TABS			
3 PLACE ±	INCH	3 PLACE ±	METRIC	MOLEX INCORPORATED		SHEET NO. 2	DATE 02/11/85
2 PLACE ±		2 PLACE ±		L15LEJLL 69532		U.S.A.	
1 PLACE ±		1 PLACE ±		PART NO.		DRWG. NO.	
DRAFT WHERE APPLICABLE MUST REMAIN WITHIN DIMENSIONS				SEE CHART		SDA-71355-3***	
DRWG. BY J J L	CHK'D. BY BIXLER	FILE NAME S71355KCS	SCALE 4 : 1	THIS DRAWING CONTAINS INFORMATION THAT IS PROPRIETARY TO MOLEX INC. AND SHOULD NOT BE USED WITHOUT WRITTEN PERMISSION.		DIV. TC	SIZE C

71355