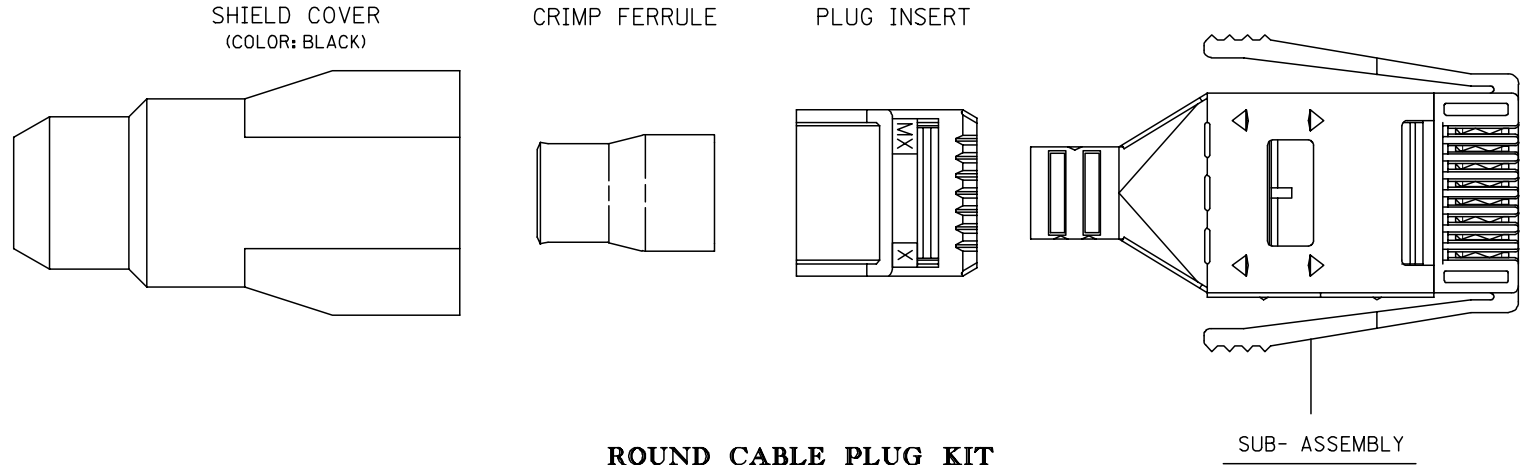


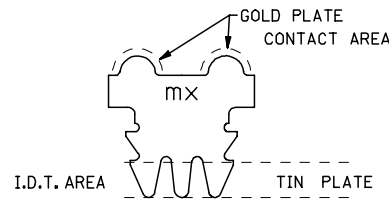
NON-KEYED OPTION MS-71310-0/3***		KEYING OPTION "1" MS-71310-1/4***		KEYING OPTION "2" MS-71310-2/5***		HSG. SIZE	CKT SIZE	DIM. "A"		DIM. "B"		DIM. "C"	
E.D.P. NUMBER	ENG. NUMBER	E.D.P. NUMBER	ENG. NUMBER	E.D.P. NUMBER	ENG. NUMBER			MM	IN.	MM	IN.	MM	IN.
015-83-0504	MS-71310-0004	015-83-0534	MS-71310-1004	015-83-0554	MS-71310-2004	4	4	9,30	.366	12,07	.475	17,22	.678
015-83-0506	MS-71310-0006	015-83-0536	MS-71310-1006	015-83-0556	MS-71310-2006	6	6	11,84	.466	14,61	.575	19,76	.778
015-83-0508	MS-71310-0008	015-83-0538	MS-71310-1008	015-83-0558	MS-71310-2008	8	8	14,38	.566	17,15	.675	22,30	.878
015-83-0516	MS-71310-0016	015-83-0546	MS-71310-1016	015-83-0566	MS-71310-2016	16	16	24,54	.966	27,31	1.075	32,46	1.278



**ROUND CABLE PLUG KIT**

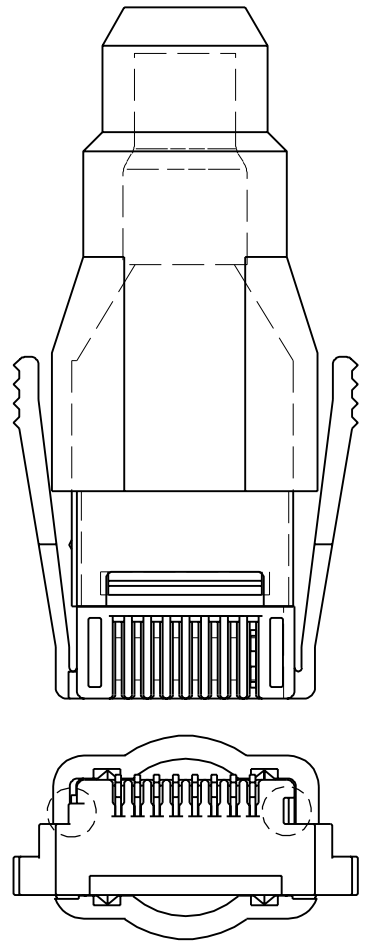
**NOTES:**

- FOR ILLUSTRATION PURPOSES 8 CIRCUIT SHOWN.
- REFER TO PK-70873-0053 FOR STANDARD PACKAGING.
- MUST CONFORM TO AS-71310 AND PS-71350-A.
- MATERIAL:**
  - PLUG HOUSING: POLYCARBONATE ALLOY; COLOR: CLEAR
  - PLUG SHIELD: BRASS WITH 100 MICROINCH TIN PLATE OVER 50 MICROINCH NICKEL. (MOLEX ES-88 CODE I54)
  - CONTACTS: PHOSPHOR BRONZE, 50 MICRO-INCH GOLD SELECTIVE PLATE IN THE CONTACT AREA, 50 MICRO-INCH TIN SELECTIVE PLATE IN THE IDT AREA, BOTH OVER 50 MICRO-INCH NICKEL UNDERPLATE. (MOLEX ES-88 CODE 575).
  - PLUG INSERT: POLYCARBONATE ALLOY; COLOR: CLEAR.
  - CRIMP FERRULE: COPPER WITH 100 MICROINCHES OF BRIGHT TIN PLATE OVER 50 MICROINCHES OF NICKEL UNDERPLATE. (MOLEX SPEC ES-88 CODE I54)
  - SHIELD COVER: POLYESTER, UL 94V-0, COLOR:BLACK

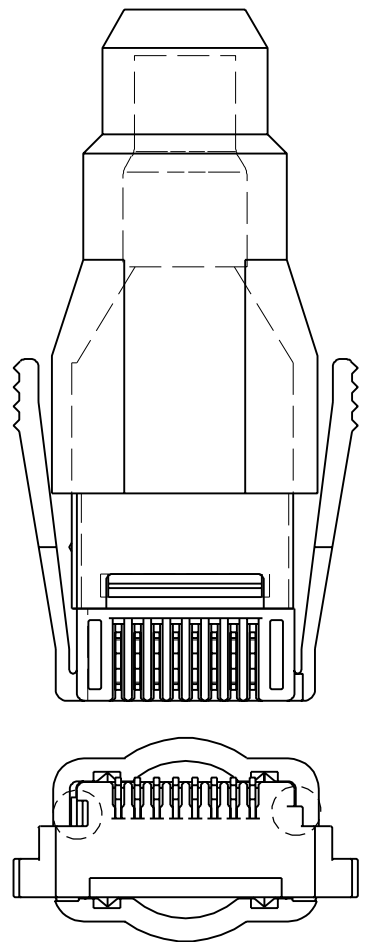


**SIDE VIEW OF CONTACT**

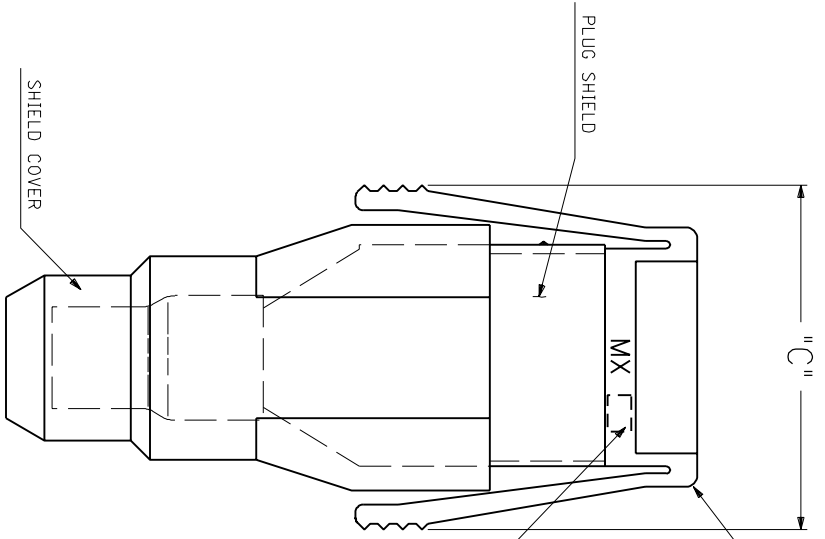
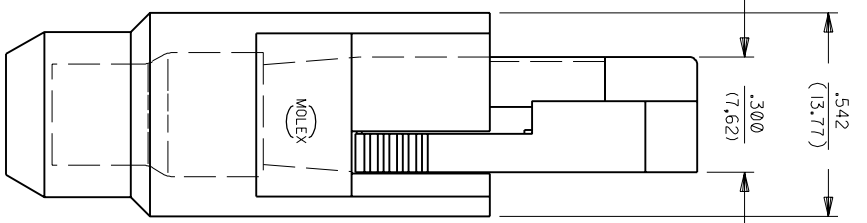
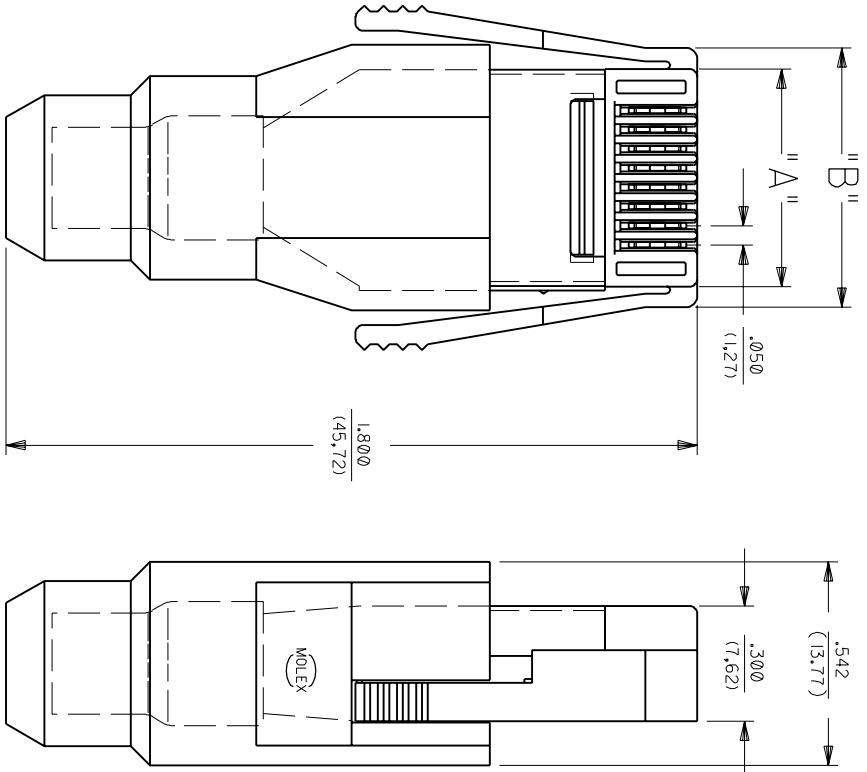
ROHS COMPLIANCE EPR NO. E2007-0364 DRAWN BY: G. DEBRYNES DATE: 2006/11/24 CHECKED BY: J. LONG DATE: 2006/11/27 APPROVED BY: IT DATE: 1985/11/27 MATERIAL NO. SDMS-71310-*** DOCUMENT NO. 1 OF 2	QUALITY SYMBOLS	GENERAL TOLERANCES (UNLESS SPECIFIED)		DIMENSION STYLE	SCALE	DESIGN UNITS	THIRD ANGLE PROJECTION	
	▽=0	mm	INCH	MM ONLY	4:1	METRIC		
	▽=0	4 PLACES ± ---	± ---		DRAWN BY: J. LONG	DATE: 1985/11/27	PLUG ASSEMBLY KIT SEMCONN	
		3 PLACES ± ---	± ---		CHECKED BY: BIXLER	DATE: 1985/11/27	MOLEX INCORPORATED	
	2 PLACES ± ---	± ---		APPROVED BY: IT	DATE: 1985/11/27			
	1 PLACE ± ---	± ---		SEE CHART				
	ANGULAR ±1/2°		DRAWING ABOVE MUST REMAIN WITHIN DIMENSIONS		THIS DRAWING CONTAINS INFORMATION THAT IS PROPRIETARY TO MOLEX INCORPORATED AND SHOULD NOT BE USED WITHOUT WRITTEN PERMISSION			



KEYING OPTION "1"



KEYING OPTION "2"



KEYING 1-D,  
TYPE 0, 1, OR 2

SEE SHEET 1 FOR DIMENSIONS

TERMINATED VIEWS

DIMENSIONS SHOWN METRIC INCH

UNLESS OTHERWISE SPECIFIED TOLERANCES ARE AS FOLLOWS

2 PLACE	1 PLACE	INCH	METRIC
± .005	± .002	± .005	± .002
± .002	± .001	± .002	± .001

OPER. MFG. APP. DIMENSIONS MUST REMAIN WITHIN DIMENSIONS

BY: J. K. COY. DATE: 11/27/85  
 BY: J. R. T. SCALE: 4:1  
 DRAWING NO. SDMS-71310-0000  
 SHEET NO. 2

REV. LTR. REVISIONS

REV.	SH.	REV.	LTR.	REVISIONS
1				SEE SHEET 1
2				SEE SHEET 1
3				SEE SHEET 1
4				SEE SHEET 1
5				SEE SHEET 1
6				SEE SHEET 1
7				SEE SHEET 1
8				SEE SHEET 1
9				SEE SHEET 1
10				SEE SHEET 1
11				SEE SHEET 1
12				SEE SHEET 1
13				SEE SHEET 1

MOLEX INCORPORATED

STD. SEMCONN - PLUG ASS'Y  
 SHIELD ROUND CABLE  
 WITH BLACK COVER

SEE CHART

THIS DRAWING CONTAINS INFORMATION THAT IS PROPRIETARY TO MOLEX INC. AND SHOULD NOT BE USED WITHOUT WRITTEN PERMISSION