

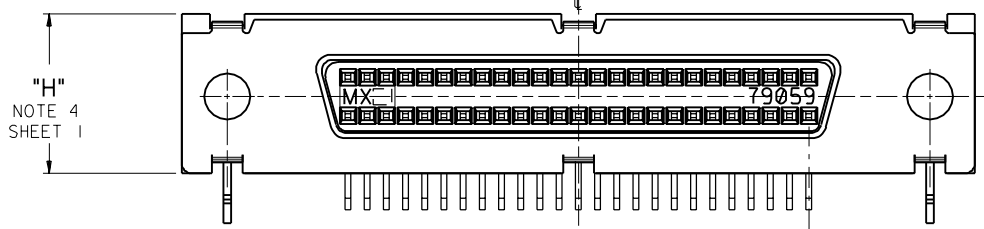
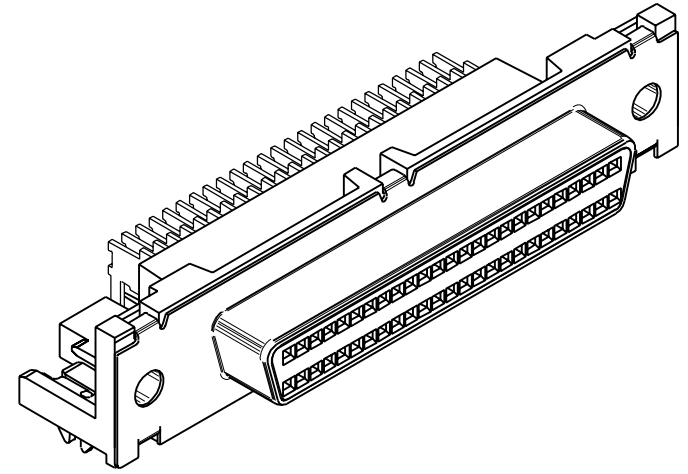
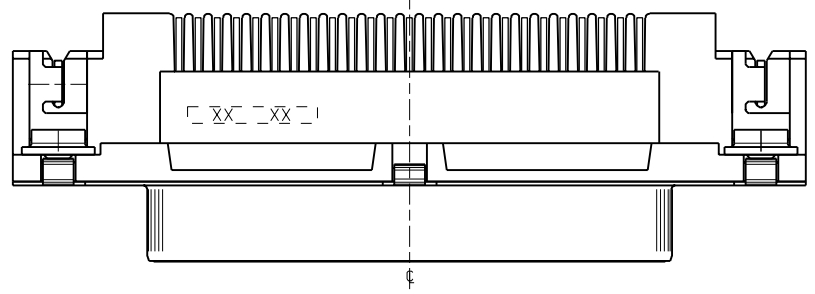
NOTES:

1. SEE SHEETS 4 AND 5 FOR PART NO'S. AND CHARTED DIMENSIONS.
2. TAIL / PCB PATTERN FIXED AT LAST CRICUIT POSITIONS FOR ALL CIRCUIT SIZES AT END SHOWN. (B12).
3. SEE SHEET 3 FOR ALL ADDITIONAL NOTES.
4. THE "H" DIMENSION APPLIES ONLY TO THE PLASTIC HOUSING AND NOT THE SHIELD.

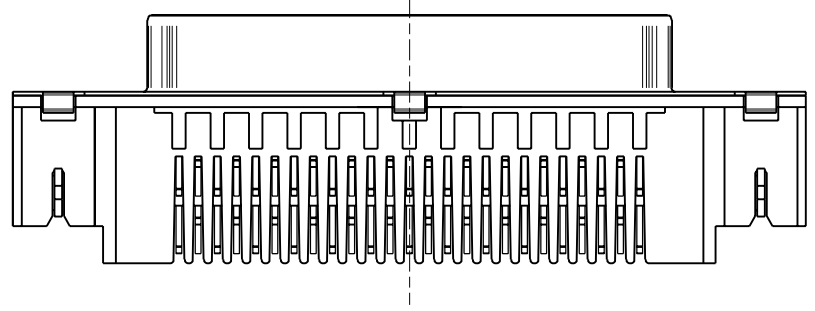
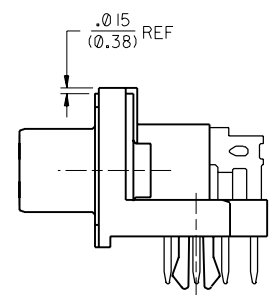
STANDARD VERSION

5	M
4	M
3	M
2	K
1	M
MFG. SH. REV.	

NOTES ON SHEETS 4,5 FOR SCREWLOKS ECN UCP2004-0240 RWHITE 03/07/31 ADDED NOT TOOLED TO CHART PER EC *UDT1999-0167 J. LONG N98/09/08		DIMENSIONS SHOWN (METRIC) INCH UNLESS OTHERWISE SPECIFIED TOLERANCES: ANGULAR ± 1/2°		REVISE ONLY ON CAD SYSTEM	
L K2		INCH METRIC 3 PLACE ± .005 --- 2 PLACE ± --- ± 0.13 1 PLACE --- ± ---		TITLE SCSI SHIELDED RECEPTACLE ASSEMBLY	
M LEADFREE ECR* UCP2004-1925 DMORGAN 04/04/06		DRAFT WHERE APPLICABLE MUST REMAIN WITHIN DIMENSIONS		MOLEX INCORPORATED SHEET NO. DATE LISLE, ILL. 60532 U.S.A. 1 OF 5 03/27/89	
LTR. REVISIONS		LTR. REVISIONS		PART NO. DRWG. NO. SEE CHARTS SDA-79059-1***	
BY J. Long		CHK'D BY BOWEN		FILE NAME S79059A1.DGN	
APPROV. BY DJB		SCALE 4 : 1		THIS DRAWING CONTAINS INFORMATION THAT IS PROPRIETARY TO MOLEX INC. AND SHOULD NOT BE USED WITHOUT WRITTEN PERMISSION.	



"H"
NOTE 4
SHEET 1



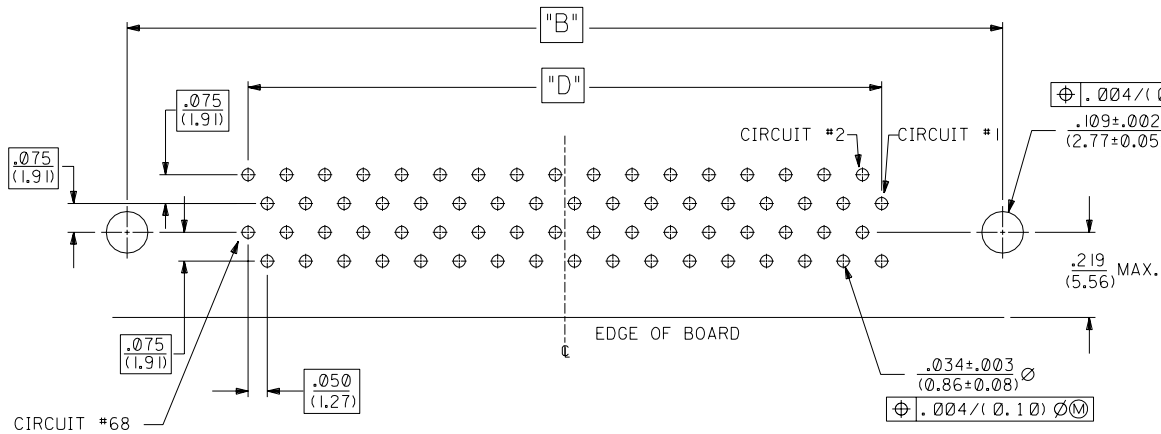
EXTENDED FLANGE OPTION A-79059-18**

NOTE: ALL DIMENSIONS ARE THE SAME AS STANDARD VERSION EXCEPT AS NOTED.

MFG. SH. REV.

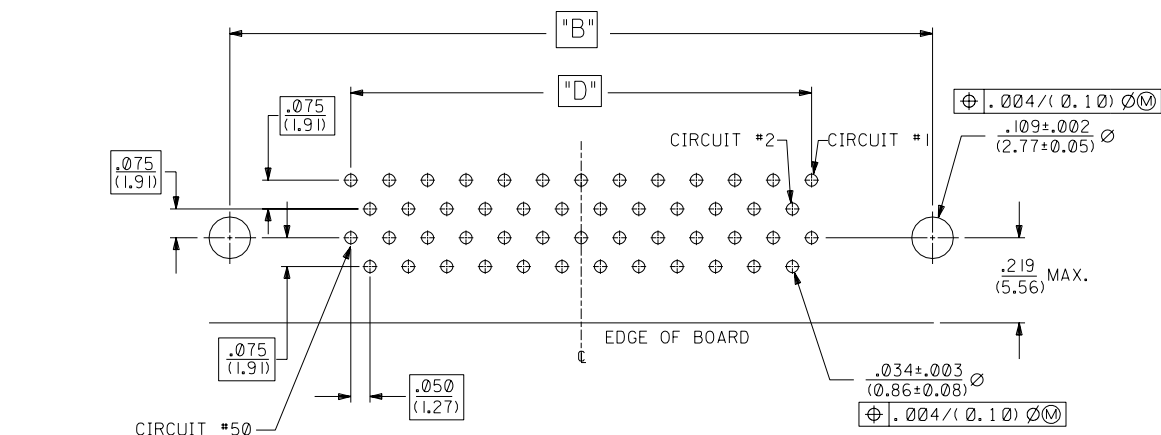
LTR.		REVISIONS		LTR.		REVISIONS		DIMENSIONS SHOWN (METRIC) INCH UNLESS OTHERWISE SPECIFIED TOLERANCES: ANGULAR $\pm 1/2^\circ$ INCH METRIC 3 PLACE $\pm .005$ --- 2 PLACE \pm --- ± 0.13 1 PLACE --- \pm --- DRAFT WHERE APPLICABLE MUST REMAIN WITHIN DIMENSIONS DRW. BY: <i>J. Long</i> CHK'D BY: <i>J. Long</i> APP'D. BY: <i>DJB</i> SCALE: 4 : 1		TITLE SCSI SHIELDED RECEPTACLE ASSEMBLY MFG. NO. L15LEJLL 60532 U.S.A. SHEET NO. 2 DATE 09/26/97 PART NO. SEE CHARTS DRWG. NO. SDA-79059-18** FILE NAME: S79059A2.DWG. THIS DRAWING CONTAINS INFORMATION THAT IS PROPRIETARY TO MOLEX INC. AND SHOULD NOT BE USED WITHOUT WRITTEN PERMISSION. DIV. DC SIZE C	
K		SEE SHEET 1									

79059



Recommended P.C. Board Layout for 40 & 68 Circuit

COMPONENT SIDE (SCALE 4:1)



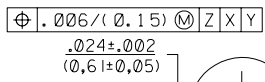
Recommended P.C. Board Layout for 26 and 50 Circuit

COMPONENT SIDE (SCALE 4:1)

NOTES:

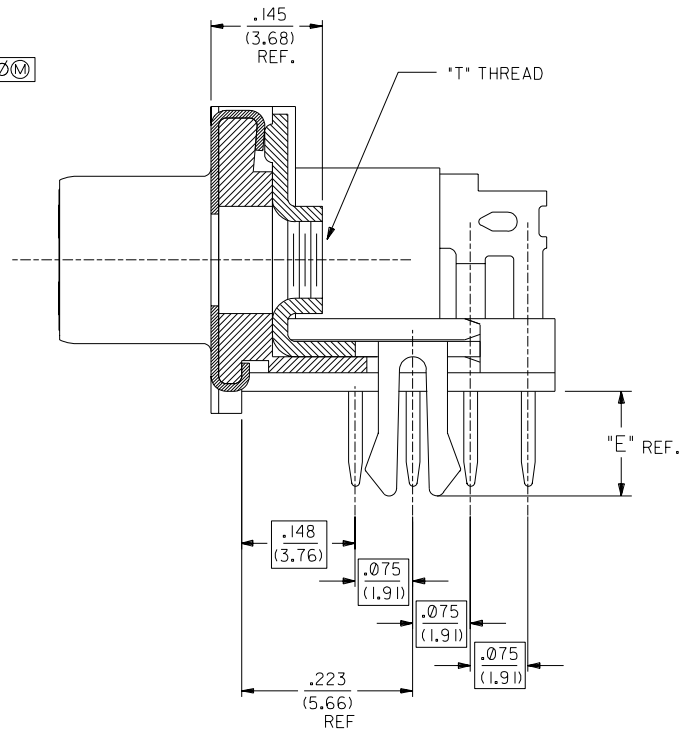
- REFER TO PS-79058 PRODUCT SPEC. FOR ELECTRICAL, MECHANICAL AND ENVIRONMENTAL SPECIFICATIONS.
- MATERIAL:
RECEPTACLE HOUSING: GLASS FILLED LCP (LIQUID CRYSTAL POLYMER); COLOR-BLACK; UL 94V-0
CONTACTS: PHOSPHOR BRONZE
SHIELD: STEEL WITH BRIGHT TIN OVER NICKEL PLATING OVER COPPER FLASH.
GROUNDING CLIP: BRASS WITH TIN OVER NICKEL PLATE
- PACKAGING:
PARTS PACKAGED IN TUBES PER PK-70873-0207
- PLATING:
SELECTIVE GOLD: THICKNESS= 30 MICROINCHES/(0.76 MICROMETERS) MINIMUM.
SELECTIVE TIN: THICKNESS= 75 MICROINCHES/(1.90 MICROMETERS) MINIMUM.
NICKEL UNDERPLATE OVERALL.

NOTE FOR LEAD FREE CONVERSION:
THE PRIMARY SHIPPING CARTON WILL BE LABELED "COMPLIANT TO RoHS DIRECTIVE 2002/95/EC AND ELV ANNEX II OF DIRECTIVE 2000/53/EC". CARTONS WITHOUT THIS LABEL MAY CONTAIN PRODUCT WITH LEAD.

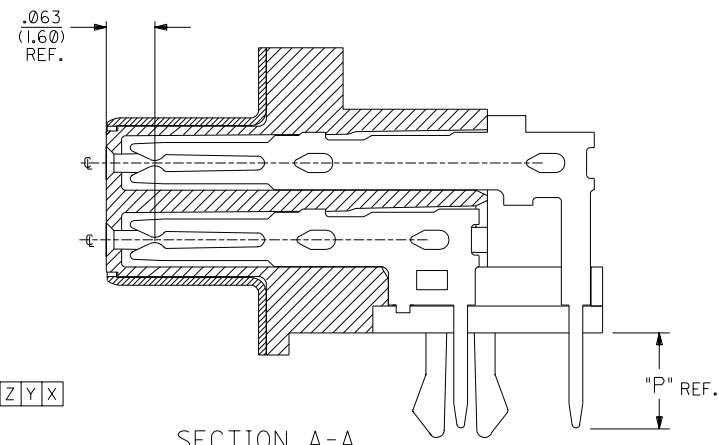


PIN WINDOW DETAIL

SCALE 10:1



SECTION B-B



SECTION A-A

SEE NOTE 2 (SHEET 1)

LTR. REVISIONS		LTR. REVISIONS		DIMENSIONS SHOWN (METRIC) INCH UNLESS OTHERWISE SPECIFIED TOLERANCES: ANGULAR $\pm 1/2^\circ$ 5 PLACE $\pm .005$ --- 2 PLACE $\pm .005$ ± 0.15 1 PLACE --- $\pm .005$ DRAFT WHERE APPLICABLE MUST REMAIN WITHIN DIMENSIONS		MFG. SH. REV. TITLE SCSI SHIELDED RECEPTACLE ASSEMBLY MOLEX INCORPORATED L15LEJLL 60532 U.S.A. SHEET NO. 3 DATE 08/14/89 SEE CHARTS SDA-79059-1*** FILE NAME S79059A2 DIV. DC	
M	SEE SHEET 1	I	SEE SHEET 1	K	SEE SHEET 1	DRWG. NO. BY J. Long CHK'D. BY BOWEN APP'D. BY DJB SCALE 8:1	

ASSEMBLIES WITH .078 DIAMETER END HOLES IN HOUSING AND #2-56 GND CLIPS

EDP/ITEM NUMBER	ENGINEERING NUMBER	CKT. SIZE	HOUSING HOLE DIA.	DIM. T GND. CLIP THREAD	DIM. A		DIM. B		DIM. C		DIM. D		DIM. E		DIM. H		DIM. P		RECMD PCB	
					INCH	MM	INCH	MM	INCH	MM	INCH	MM	INCH	MM	INCH	MM	INCH	MM	INCH	MM
015-87-6043	A-79059-1300	50	.078	2-56	2.065	52.54	1.830	46.48	1.366	34.69	1.200	30.48	.105	2.67	.400	10.16	.125	3.18	.062	1.57
015-87-6060	A-79059-1302	68	.078	2-56	2.515	63.88	2.280	57.91	1.816	46.13	1.650	41.91	.105	2.67	.400	10.16	.125	3.18	.062	1.57
X	A-79059-1304	26	.078	2-56	1.465	37.21	1.230	31.24	.766	19.46	.600	15.24	.105	2.67	.400	10.16	.125	3.18	.062	1.57
X	A-79059-1305	40	.078	2-56	1.815	46.10	1.580	40.13	1.116	28.35	.950	24.13	.105	2.67	.400	10.16	.125	3.18	.062	1.57
015-87-6044	A-79059-1400	50	.078	2-56	2.065	52.54	1.830	46.48	1.366	34.69	1.200	30.48	.136	3.45	.400	10.16	.125	3.18	.093	2.36
015-87-6061	A-79059-1402	68	.078	2-56	2.515	63.88	2.280	57.91	1.816	46.13	1.650	41.91	.136	3.45	.400	10.16	.125	3.18	.093	2.36
X	A-79059-1404	26	.078	2-56	1.465	37.21	1.230	31.24	.766	19.46	.600	15.24	.136	3.45	.400	10.16	.125	3.18	.093	2.36
X	A-79059-1405	40	.078	2-56	1.815	46.10	1.580	40.13	1.116	28.35	.950	24.13	.136	3.45	.400	10.16	.125	3.18	.093	2.36
015-87-6045	A-79059-1500	50	.078	2-56	2.065	52.54	1.830	46.48	1.366	34.69	1.200	30.48	.168	4.27	.400	10.16	.165	4.19	.125	3.18
015-87-6062	A-79059-1502	68	.078	2-56	2.515	63.88	2.280	57.91	1.816	46.13	1.650	41.91	.168	4.27	.400	10.16	.165	4.19	.125	3.18
X	A-79059-1504	26	.078	2-56	1.465	37.21	1.230	31.24	.766	19.46	.600	15.24	.168	4.27	.400	10.16	.165	4.19	.125	3.18
X	A-79059-1505	40	.078	2-56	1.815	46.10	1.580	40.13	1.116	28.35	.950	24.13	.168	4.27	.400	10.16	.165	4.19	.125	3.18
X	A-79059-1700	50	.078	2-56	2.065	52.54	1.830	46.48	1.366	34.69	1.200	30.48	.105	2.67	.400	10.16	.100	2.54	.062	1.57
X	A-79059-1702	68	.078	2-56	2.515	63.88	2.280	57.91	1.816	46.13	1.650	41.91	.105	2.67	.400	10.16	.100	2.54	.062	1.57
X	A-79059-1704	26	.078	2-56	1.465	37.21	1.230	31.24	.766	19.46	.600	15.24	.105	2.67	.400	10.16	.100	2.54	.062	1.57
X	A-79059-1705	40	.078	2-56	1.815	46.10	1.580	40.13	1.116	28.35	.950	24.13	.105	2.67	.400	10.16	.100	2.54	.062	1.57

ASSEMBLIES WITH .105 DIAMETER END HOLES IN HOUSING AND #4-40 GND CLIPS

EDP/ITEM NUMBER	ENGINEERING NUMBER	CKT. SIZE	HOUSING HOLE DIA.	DIM. T GND. CLIP THREAD	DIM. A		DIM. B		DIM. C		DIM. D		DIM. E		DIM. H		DIM. P		RECMD PCB	
					INCH	MM	INCH	MM	INCH	MM	INCH	MM	INCH	MM	INCH	MM	INCH	MM	INCH	MM
015-87-6040	A-79059-1000	50	.105	4-40	2.065	52.54	1.830	46.48	1.366	34.69	1.200	30.48	.105	2.67	.400	10.16	.125	3.18	.062	1.57
015-87-6200	A-79059-1002	68	.105	4-40	2.515	63.88	2.280	57.91	1.816	46.13	1.650	41.91	.105	2.67	.400	10.16	.125	3.18	.062	1.57
X	A-79059-1004	26	.105	4-40	1.465	37.21	1.230	31.24	.766	19.46	.600	15.24	.105	2.67	.400	10.16	.125	3.18	.062	1.57
X	A-79059-1005	40	.105	4-40	1.815	46.10	1.580	40.13	1.116	28.35	.950	24.13	.105	2.67	.400	10.16	.125	3.18	.062	1.57
015-87-6046	A-79059-1006	68	.105	-	2.515	63.88	2.280	57.91	1.816	46.13	1.650	41.91	N/A	N/A	.400	10.16	.125	3.18	.062	1.57
015-87-6041	A-79059-1100	50	.105	4-40	2.065	52.54	1.830	46.48	1.366	34.69	1.200	30.48	.136	3.45	.400	10.16	.125	3.18	.093	2.36
015-87-6201	A-79059-1102	68	.105	4-40	2.515	63.88	2.280	57.91	1.816	46.13	1.650	41.91	.136	3.45	.400	10.16	.125	3.18	.093	2.36
X	A-79059-1104	26	.105	4-40	1.465	37.21	1.230	31.24	.766	19.46	.600	15.24	.136	3.45	.400	10.16	.125	3.18	.093	2.36
X	A-79059-1105	40	.105	4-40	1.815	46.10	1.580	40.13	1.116	28.35	.950	24.13	.136	3.45	.400	10.16	.125	3.18	.093	2.36
015-87-6042	A-79059-1200	50	.105	4-40	2.065	52.54	1.830	46.48	1.366	34.69	1.200	30.48	.168	4.27	.400	10.16	.165	4.19	.125	3.18
015-87-6202	A-79059-1202	68	.105	4-40	2.515	63.88	2.280	57.91	1.816	46.13	1.650	41.91	.168	4.27	.400	10.16	.165	4.19	.125	3.18
X	A-79059-1204	26	.105	4-40	1.465	37.21	1.230	31.24	.766	19.46	.600	15.24	.168	4.27	.400	10.16	.165	4.19	.125	3.18
X	A-79059-1205	40	.105	4-40	1.815	46.10	1.580	40.13	1.116	28.35	.950	24.13	.168	4.27	.400	10.16	.165	4.19	.125	3.18
X	A-79059-1600	50	.105	4-40	2.065	52.54	1.830	46.48	1.366	34.69	1.200	30.48	.105	2.67	.400	10.16	.100	2.54	.062	1.57
X	A-79059-1602	68	.105	4-40	2.515	63.88	2.280	57.91	1.816	46.13	1.650	41.91	.105	2.67	.400	10.16	.100	2.54	.062	1.57
X	A-79059-1604	26	.105	4-40	1.465	37.21	1.230	31.24	.766	19.46	.600	15.24	.105	2.67	.400	10.16	.100	2.54	.062	1.57
X	A-79059-1605	40	.105	4-40	1.815	46.10	1.580	40.13	1.116	28.35	.950	24.13	.105	2.67	.400	10.16	.100	2.54	.062	1.57

CUSTOM EXTENDED UPPER FLANGE ASSEMBLIES

015-87-6080	A-79059-1801	68	.105	4-40	2.515	63.88	2.280	57.91	1.816	46.13	1.650	41.91	.136	3.45	.415	10.54	.125	3.18	.093	2.36
79059-1802	A-79059-1802	68	.120	4-40	2.515	63.88	2.280	57.91	1.816	46.13	1.650	41.91	.136	3.45	.415	10.54	.125	3.18	.093	2.36

X = OPTIONAL CONFIGURATION; NOT TOOLED

NOTE: ASSEMBLIES LISTED ON THIS SHEET HAVE A SMALLER HOLE DIAMETER FOR INSERTION OF SCREWLOCKS USING A POWER DRIVER.

- A-79059-1 * * *
- CKT. SIZE, PLATING, TAIL LENGTH
 - (0-2,6) W/.105 HOLE DIA./#4-40 GND CLIP
 - (3-5,7) W/.078 HOLE DIA./#2-56 GND CLIP
 - (8) CUSTOM ASSEMBLIES WITH EXTENDED UPPER FLANGE
 - (9) WITH .120 HOLE DIA./ALL VARIATIONS EXCEPT EXTENDED UPPER FLANGE

LTR.	REVISIONS	LTR.	REVISIONS
M	SEE SHEET I	K1	SEE SHEET I

DIMENSIONS SHOWN (METRIC) INCH		REVISE ONLY ON CAD SYSTEM	
UNLESS OTHERWISE SPECIFIED TOLERANCES: ANGULAR $\pm 1/2^\circ$			
5 PLACE $\pm .005$	INCH	---	METRIC
2 PLACE $\pm .01$	---	$\pm .013$	---
1 PLACE ---	---	---	---
DRAFT WHERE APPLICABLE MUST REMAIN WITHIN DIMENSIONS			
DRWG. BY: <i>J. Long</i>	CHK'D. BY: <i>J. Long</i>		
APP'D. BY: <i>DJB</i>	SCALE: 1:1		
PART NO. SEE CHART		SDA-79059-1***	
MOLEX INCORPORATED U.S.A.		SHEET NO. 4 DATE 97/09/29	
THIS DRAWING CONTAINS INFORMATION THAT IS PROPRIETARY TO MOLEX INC. AND SHOULD NOT BE USED WITHOUT WRITTEN PERMISSION.			

79059

MFG. SH. REV.

DC